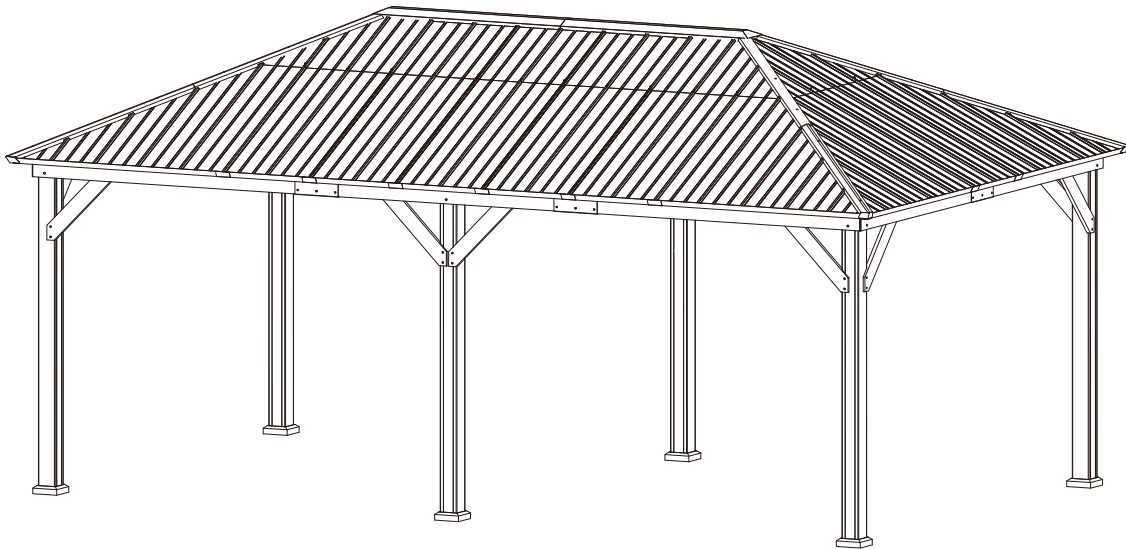




MODERN SHADE
OUTDOOR LIVING SPACES

MODEL:IG10600047C-1220N



OWNER'S MANUAL

Tranquil Grove 12'x20' Cedar Framed Hardtop Pavilion

TABLE OF CONTENTS

ASSEMBLY GUIDE.....	02
USING YOUR PRODUCT.....	05

August 10, 2025

QUESTIONS?



E-mail: support@modernshade.org



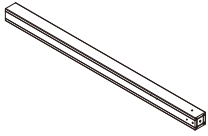
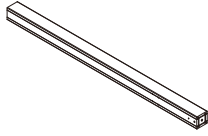
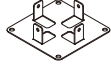
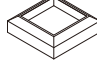
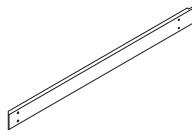
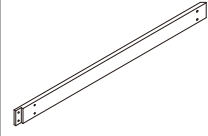
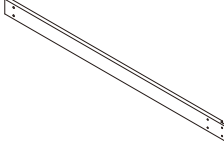
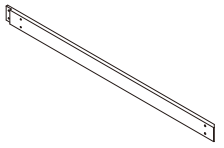
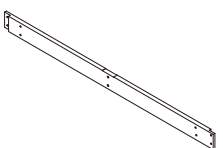
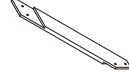
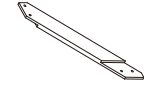
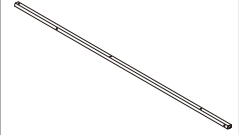
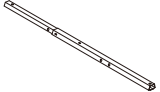

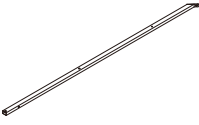
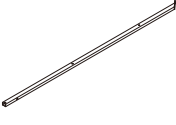
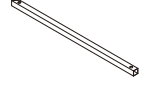
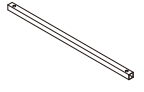
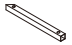
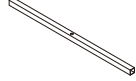
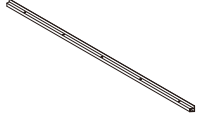
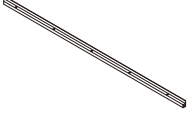
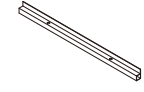
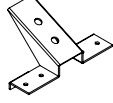
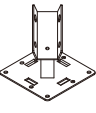
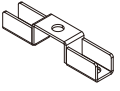
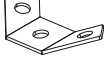
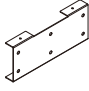
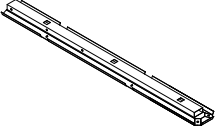
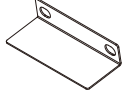
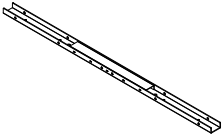
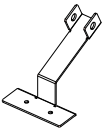
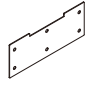
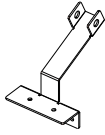
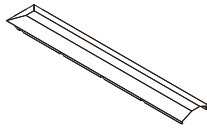
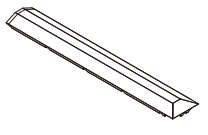
Toll Free Number: 1-888-666-3070

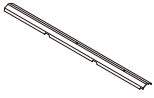
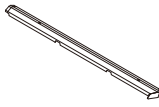

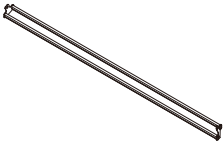



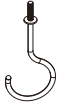
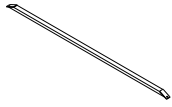








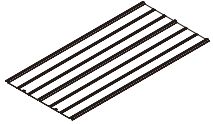
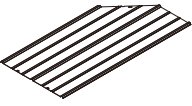





Mon-Fri: 9:00 AM - 5:00 PM PST

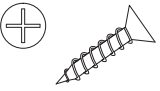
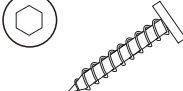
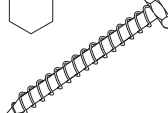

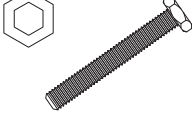
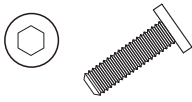
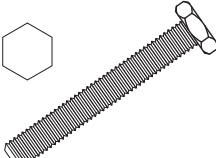
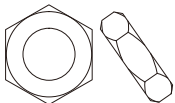





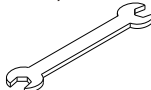
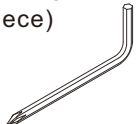
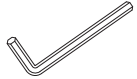

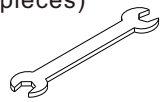
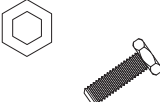
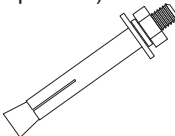
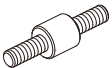

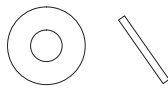

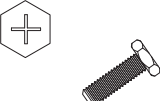
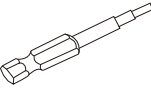
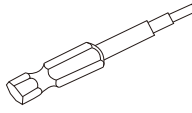
ASSEMBLY GUIDE

PARTS LIST

A1 Post 1 (4pieces) 	A2 Post 2 (2pieces) 	B1 Foot Base 1 (6pieces) 	C1 Foot Cover 1 (6pieces) 	D3 Cross Beam 3 (2pieces) 	D4 Cross Beam 4 (2pieces) 
P0010000701	P0010000801	P0030000301	P0020000301	P0040016101	P0040016201
D9 Cross Beam 9 (2pieces) 	D10 Cross Beam 10 (2pieces) 	D11 Cross Beam 11 (2pieces) 	E1 Support Bracket 1 (6pieces) 	E2 Support Bracket 2 (6pieces) 	F4 Roof Rib 4 (4pieces) 
P0040016701	P0040016801	P0040016901	P0050000501	P0050000601	P0070000501
F5 Roof Rib 5 (4pieces) 	G4 Middle Cross Beam 4 (8pieces) 	G5 Middle Cross Beam 5 (4pieces) 	G6 Middle Cross Beam 6 (4pieces) 	H2 Roof Support 2 (8pieces) 	H5 Roof Support 5 (12pieces) 
P0070000601	P0080000501	P0080002401	P0080002501	P0090000202	P0090000302
H8 Roof Support 8 (8pieces) 	H9 Roof Support 9 (12pieces) 	J5 Roof Border 5 (4pieces) 	J6 Roof Border 6 (4pieces) 	J20 Roof Border 20 (12pieces) 	K1 Connector 1 (16pieces) 
P0090002201	P0090002501	P0090001502	P0090001602	P0090001902	P0060001501
K2 Connector 2 (4pieces) 	K3 Connector 3 (48pieces) 	K4 Connector 4 (12pieces) 	K5 Connector 5 (6pieces) 	K6 Connector 6 (2pieces) 	K7 Connector 7 (16pieces) 
P0060001701	P0060000501	P0060000602	P0110005301	P0060012001	P0110000502
K8 Connector 8 (1piece) 	K10 Connector 10 (2pieces) 	K11 Connector 11 (6pieces) 	K26 Connector 26 (2pieces) 	L6 Roof Cover 6 (1piece) 	L7 Roof Cover 7 (1piece) 
P0060012101	P0060005101	P0110005401	P0060011901	P0120000702	P0120000802

<p>L9 Roof Rib Cover 9 (4pieces)</p> 	<p>L10 Roof Rib Cover 10 (4pieces)</p> 	<p>M1 Mosquito Net Rod 1 (2pieces)</p> 	<p>M2 Mosquito Net Rod 2 (2pieces)</p> 	<p>M3 Mosquito Net Rod 3 (2pieces)</p> 	<p>M4 Mosquito Net Rod 4 (2pieces)</p> 
P0120001001	P0120001101	P0100000801	P0100000901	P0100001601	P0100001701
<p>M14 Mosquito Net Rod 14 (4pieces)</p> 	<p>N Hook (1pieces)</p> 	<p>P3 Middle Cross Beam Support 3 (4pieces)</p> 	<p>Z4 Roof Plate 4 (4pieces)</p> 	<p>Z5 Roof Plate 5 (4pieces)</p> 	<p>Z6 Roof Plate 6 (4pieces)</p> 
P0100002201	P1000000100	P0050006801	P0130000499	P0130000599	P0130000699
<p>Z7 Roof Plate 7 (4pieces)</p> 	<p>Z15 Roof Plate 15 (2pieces)</p> 	<p>Z16 Roof Plate 16 (2pieces)</p> 	<p>Z17 Roof Plate 17 (2pieces)</p> 	<p>Z18 Roof Plate 18 (6pieces)</p> 	<p>Z19 Roof Plate 19 (12pieces)</p> 
P0130000799	P0130001599	P0130001699	P0130001799	P0130001899	P0130001999
<p>Z48 Roof Plate 48 (4pieces)</p> 	<p>Z49 Roof Plate 49 (4pieces)</p> 	<p>Z50 Roof Plate 50 (4pieces)</p> 	<p>Z51 Roof Plate 51 (4pieces)</p> 		
P0130007099	P0130007199	P0130007299	P0130007399		

HARDWARE PACK

AA Bolt M5*25 (172+8pieces) 	BB Bolt M8*35 (48+2pieces) 	CC Bolt M10*65 (10+1pieces) 	DD Bolt M6*20 (258+13pieces) 	EE Bolt M6*45 (22+2pieces) 	FF Bolt M8*45 (36+2pieces) 
H0008008098	H0008008099	H0008008100	H0008008036	H0008008016	H0008008191
GG Bolt M10*160 (10+1pieces) 	HH Anti-slip Screw Nut (10+1pieces) 	JJ M8 Ball nut (36+2pieces) 	KK M6 Flat washer (400+20pieces) 	LL M8 Flat washer (120+6pieces) 	MM M10 Flat washer (30+2pieces) 
H0008008140	H0008008126	H0008008192	H0008008057	H0008008058	H0008008141
NN M6 Sealant Washer (16+2pieces) 	PP Double Open End Wrench M8/M10 (2pieces) 	QQ M6 Allen Key with Screw Driver (1piece) 	RR M6 Allen Key (1piece) 	SS M8 Allen Key (2pieces) 	TT Double Open End Wrench M5/M6 (2pieces) 
H0008008060	H0008008190	H0008008132	H0008008133	H0008008129	H0008008121
VV Bolt M6*15 (120+6pieces) 	XX Concrete Anchor M6*60 (12pieces) 	YY M5*14 Double head screw (16+1pieces) 	ZZ M5 Ball nut (16+1pieces) 	ZY M5 Flat washer (28+2pieces) 	ZX M5 Sealant washer (28+2pieces) 
H0008008001	H0008008095	H0008008163	H0008008164	H0008008056	H0008008059
ZW Bolt M5*25 (12+1pieces) 	ZU H6 Hex bit Serew Driver (1piece) 	ZT H8 Hex bit Serew Driver (1piece) 			
H0008008138	H0008008209	H0008008210			

IMPORTANT:

This instruction manual contains important information necessary for the proper assembly and safe use of the product.

Read and follow all warnings and instructions before assembling and using the product.

Follow all warnings and instructions when using the product.

Keep this manual for future reference.

Installer/Assembler: leave these instructions with the consumer.

SAFETY ALERT KEY

DANGER

Indicates a hazardous situation that, if not avoided, will result in death or serious injury.

WARNING

Indicates a hazardous situation that, if not avoided, could result in death or serious injury.

CAUTION

Indicates a hazardous situation that, if not avoided, could result in minor or moderate injury.

NOTICE

Indicates information considered important, but not hazard-related (e.g.messages related to property damage).

ASSEMBLY INSTRUCTIONS

•Please carefully unpack each of the components and hardware. check the components against the parts list and make sure there are no missing parts. lay pieces on cardboard or a soft mat to help protect the pieces from scratches.

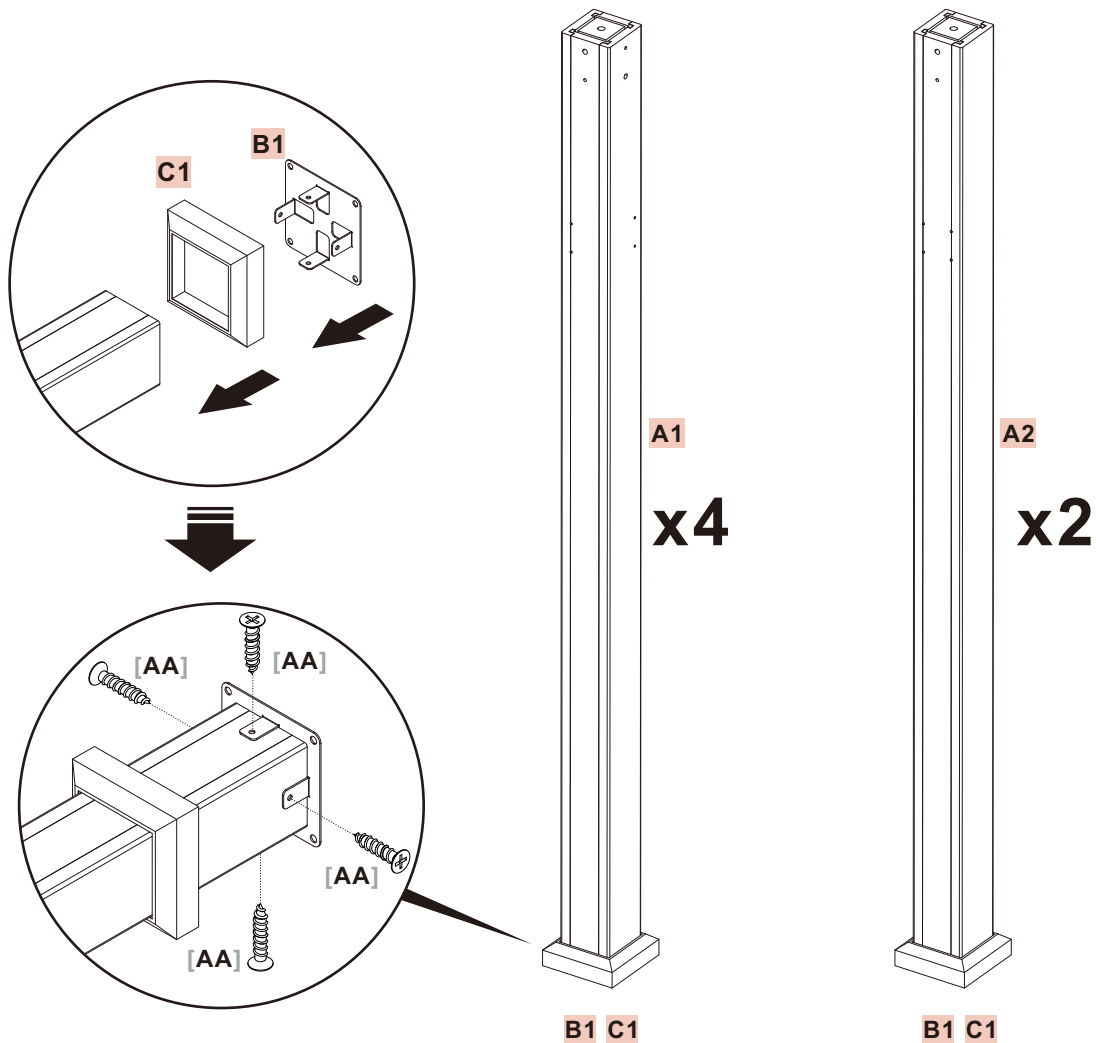
⚠ CAUTION

Watch for sharp edges when handling the pieces, wear gloves to avoid injury.

- For ease of assembly, it is recommended to have 3 or more people and allow enough time to completely finish the assembly. assembly can take 6-8 hours. a step-ladder is required for assembly (not included).
- Follow step by step instructions, and follow all safety warnings provided with your tools.
- DO NOT tighten screws until all the screws and washers are properly installed. Tighten screws securely, do not over tighten.
- Gazebo should not be used in inclement weather and high winds.

STEP 01# Slide foot base **B1** and foot cover **C1** onto post **A1**. Use four (4) **[AA]** bolts to attach foot base **B1** to post **A1**. Repeat with the other three (3) posts **A1** and two (2) posts **A2**.

[AA] x24



STEP 02#

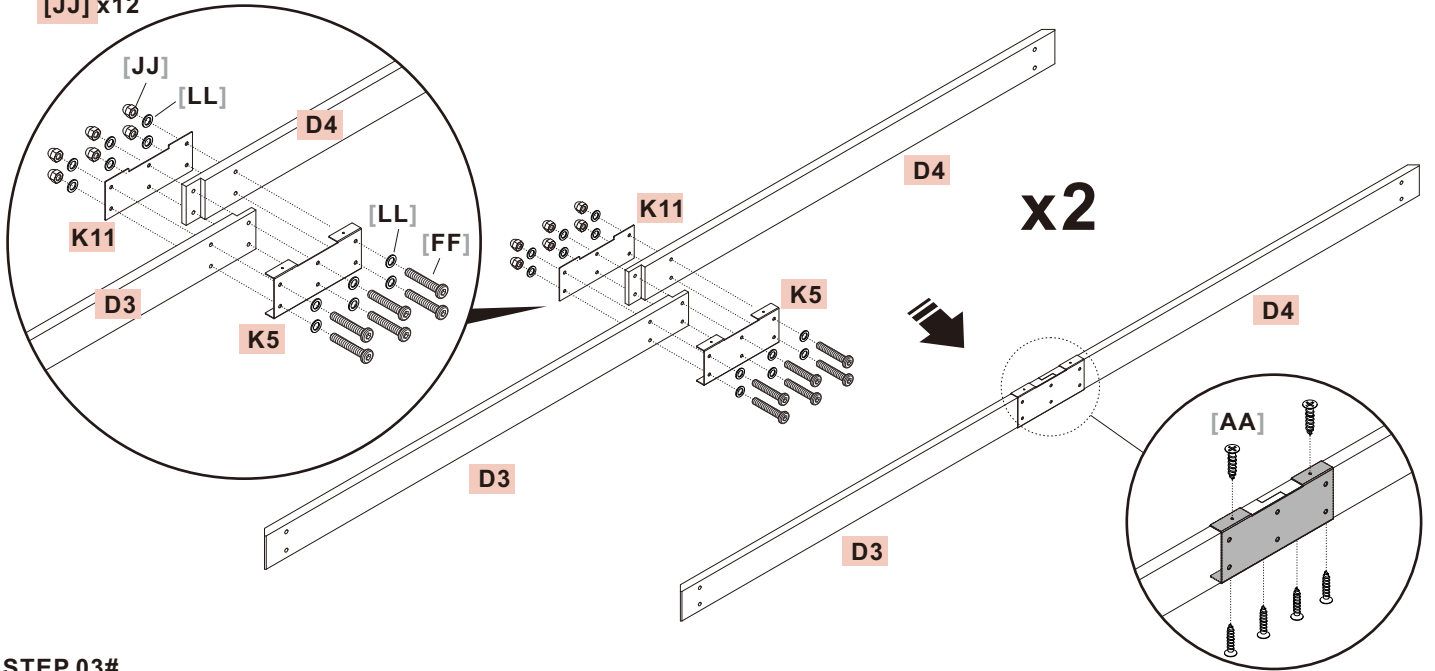
Attach cross beam **D3** and **D4** together using connector **K5** and **K11**. Secure with six (6) **[FF]** bolts, twelve (12) **[LL]** flat washers and six (6) **[JJ]** ball nuts on the sides. Use six (6) **[AA]** bolts secure both the top and bottom of the connection. Repeat to make a second assembly.

[AA] x12

[FF] x12

[LL] x24

[JJ] x12



STEP 03#

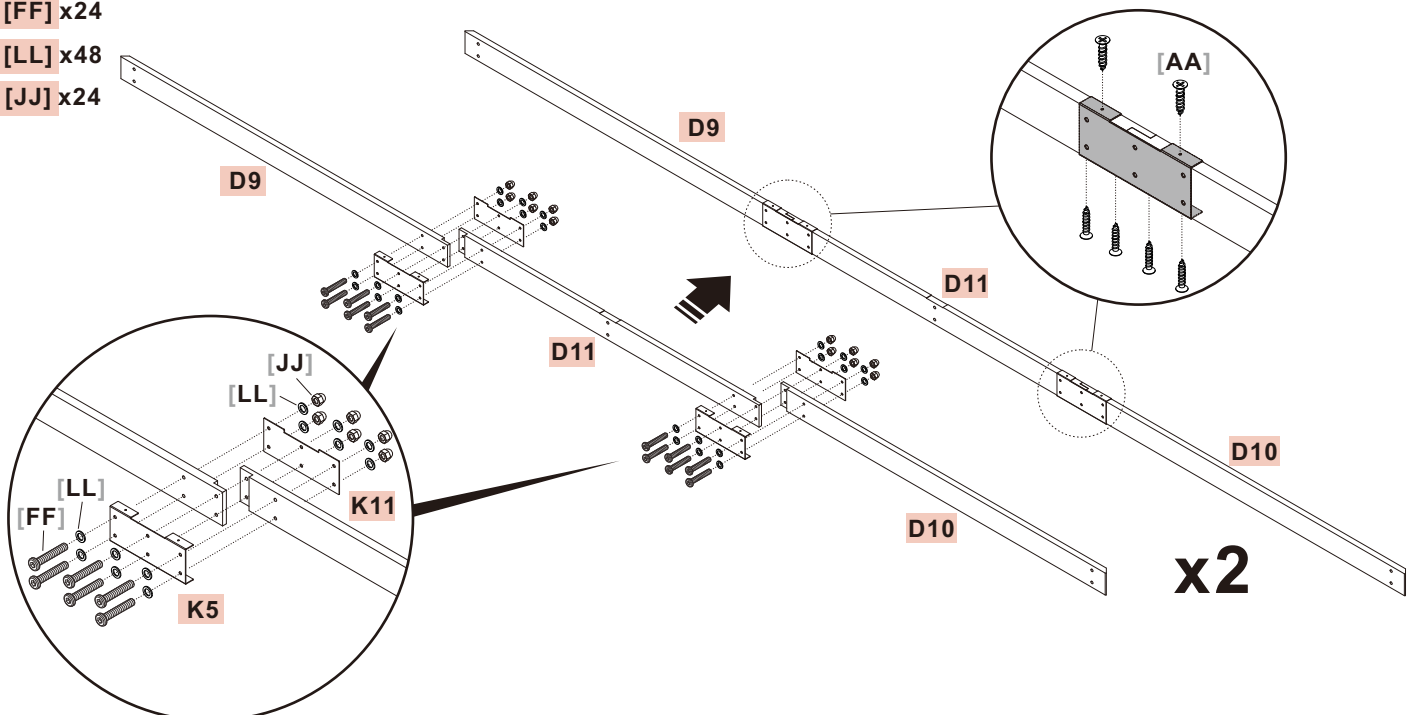
Attach cross beam **D9** **D10** and **D11** together using connector **K5** and **K11**. Secure with six (6) **[FF]** bolts, twelve (12) **[LL]** flat washers and six (6) **[JJ]** ball nuts on the sides. Use six (6) **[AA]** bolts secure both the top and bottom of the connection. Repeat to make a second assembly.

[AA] x24

[FF] x24

[LL] x48

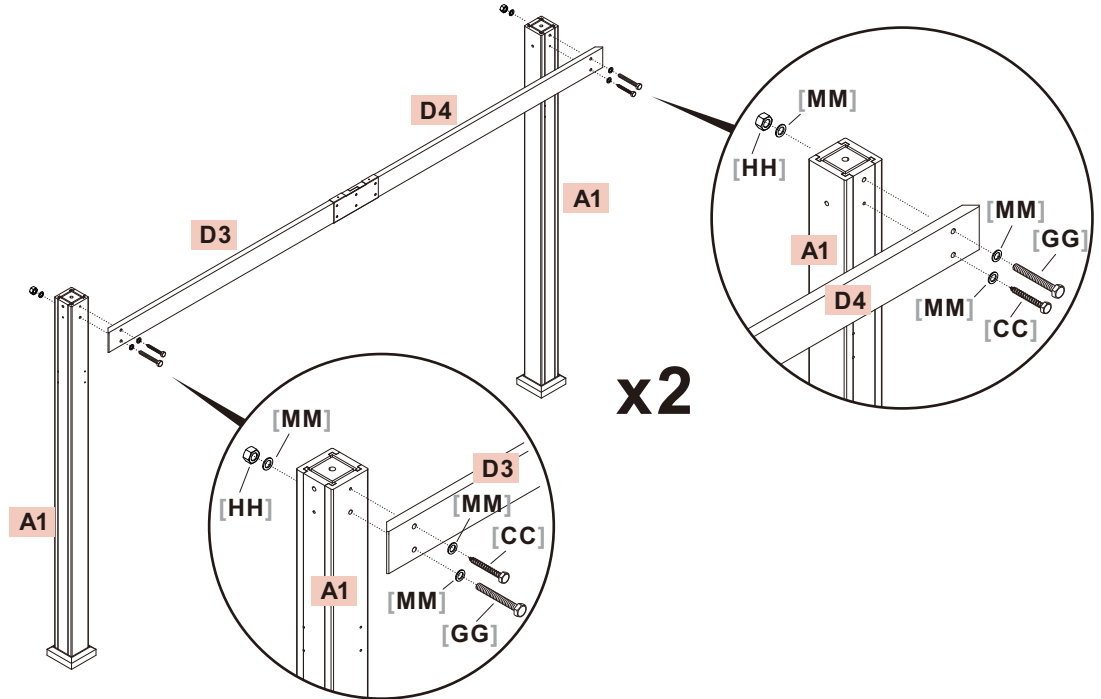
[JJ] x24



STEP 04#

Attach the cross beam assembly **D3 D4** to left **A1** post using one (1) **[CC]** bolt and **[MM]** washer in the top hole, and one (1) **[GG]** bolt, two (2) **[MM]** washers, and one (1) **[HH]** nut in the bottom hole. Attach the cross beam assembly to right **A1** post using one (1) **[GG]** bolt, two (2) **[MM]** washers, and one (1) **[HH]** nut in the top hole, and one (1) **[CC]** bolt and **[MM]** washer in the bottom hole. Repeat to make a second assembly.

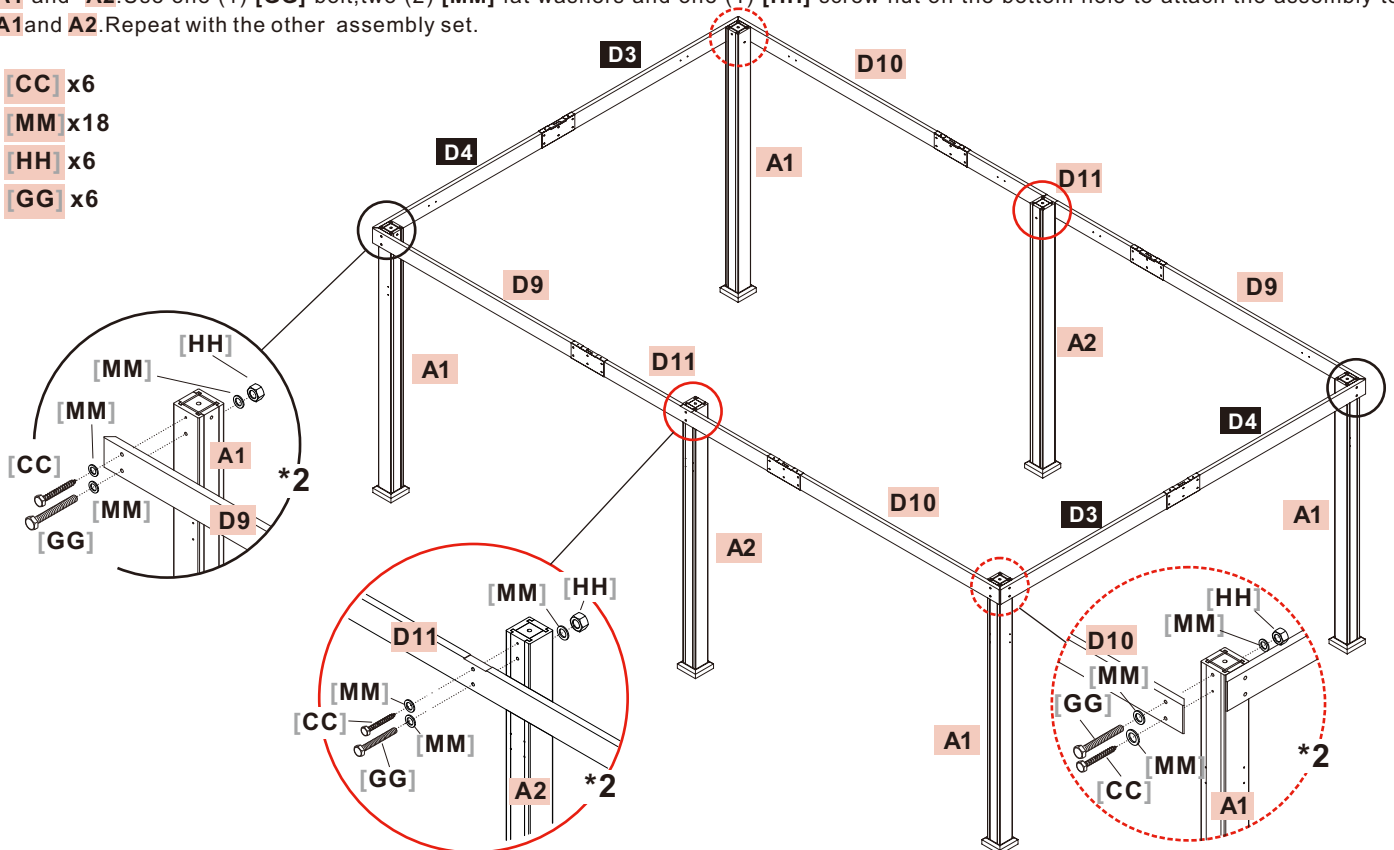
- [CC]** x4
- [MM]** x12
- [HH]** x4
- [GG]** x4



STEP 05#

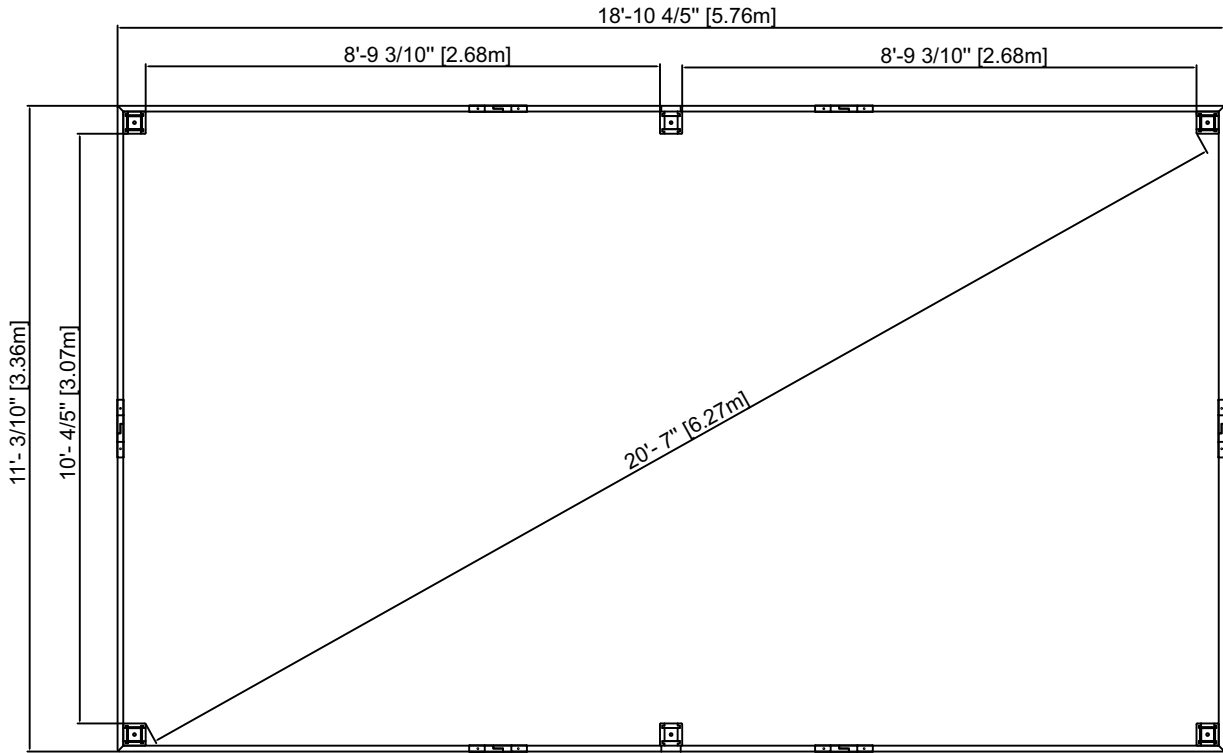
Use one (1) **[GG]** bolt, two (2) **[MM]** flat washers and one (1) **[HH]** screw nut on the top hole to attach the right end of cross beam assembly **D9 D10 D11** to post **A1**. Use one (1) **[CC]** bolt and one (1) **[MM]** fat washer on the bottom hole to attach the right end of assembly to post **A1**. Use one (1) **[CC]** bolt and one (1) **[MM]** fat washer on the top hole to attach the left end and the middle of cross beam assembly **D9 D10 D11** to post **A1** and **A2**. Use one (1) **[GG]** bolt, two (2) **[MM]** fat washers and one (1) **[HH]** screw nut on the bottom hole to attach the assembly to post **A1** and **A2**. Repeat with the other assembly set.

- [CC]** x6
- [MM]** x18
- [HH]** x6
- [GG]** x6



STEP 06#

CRITICAL: SQUARE UNIT BEFORE PROCEEDING TO NEXT STEPS. ONCE SQUARE, TIGHTEN ALL HARDWARE.

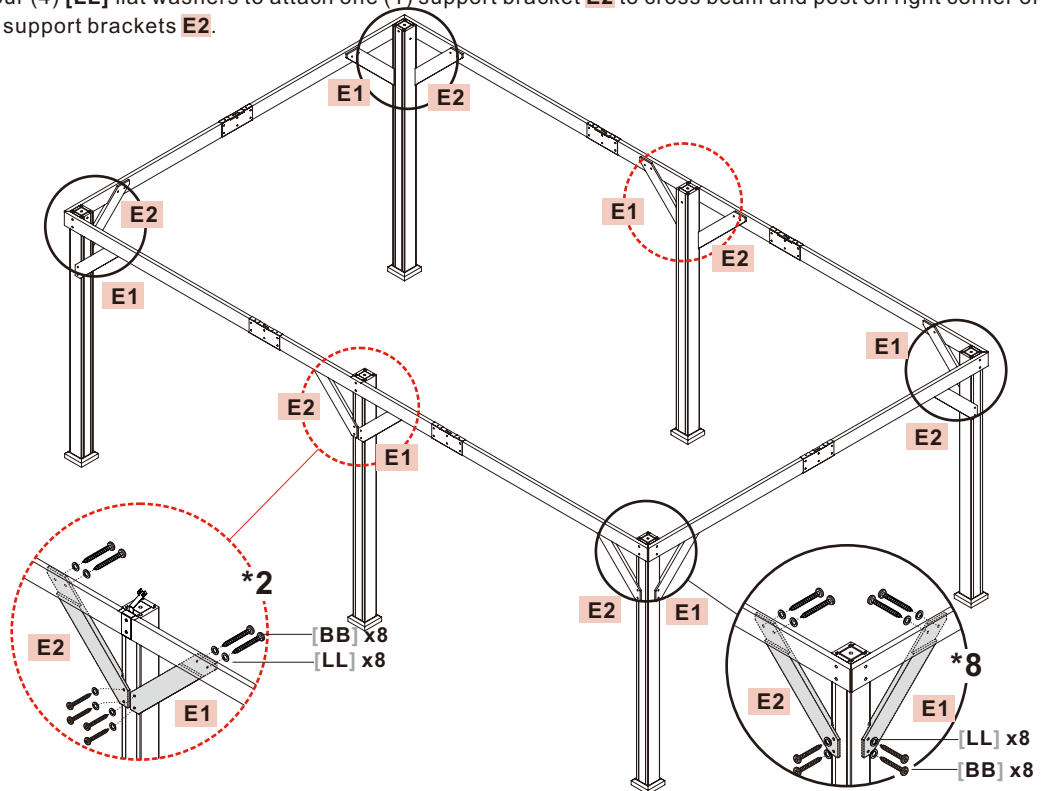


STEP 7#

Use four (4) [BB] bolts and four (4) [LL] flat washers to attach one (1) support bracket **E1** to cross beam and post on left corner of each side. Repeat with the other five (5) support brackets **E1**.
 Use four (4) [BB] bolts and four (4) [LL] flat washers to attach one (1) support bracket **E2** to cross beam and post on right corner of each side. Repeat with the other five (5) support brackets **E2**.

[BB] x48

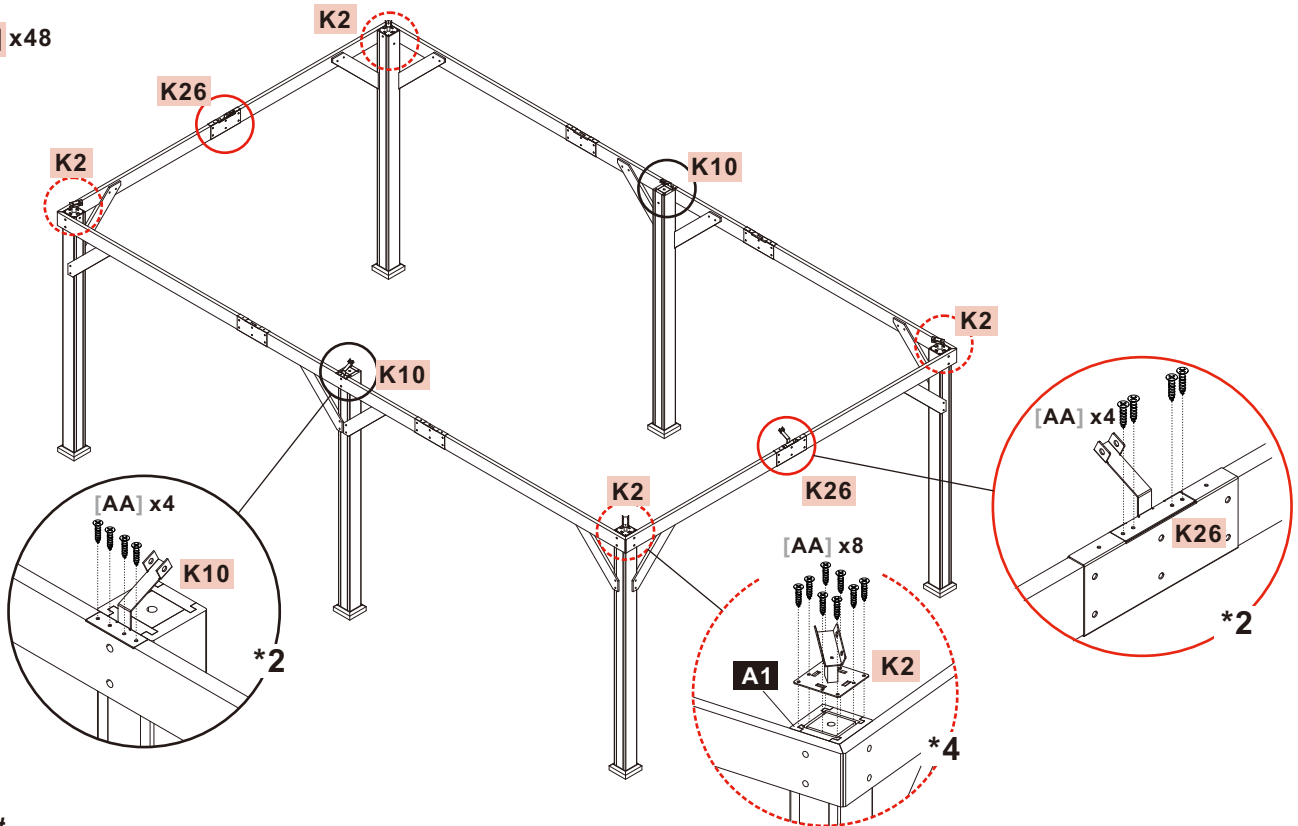
[LL] x48



STEP 8#

Use four (4) [AA] bolts to attach one (1) connector **K10** to the middle of cross beam **D11**. Repeat with the other connector **K10** and two (2) connector **K26**. Use eight (8) [AA] bolts to attach one (1) connector **K2** to each post. Repeat with the other three (3) connector **K2**.

[AA] x48

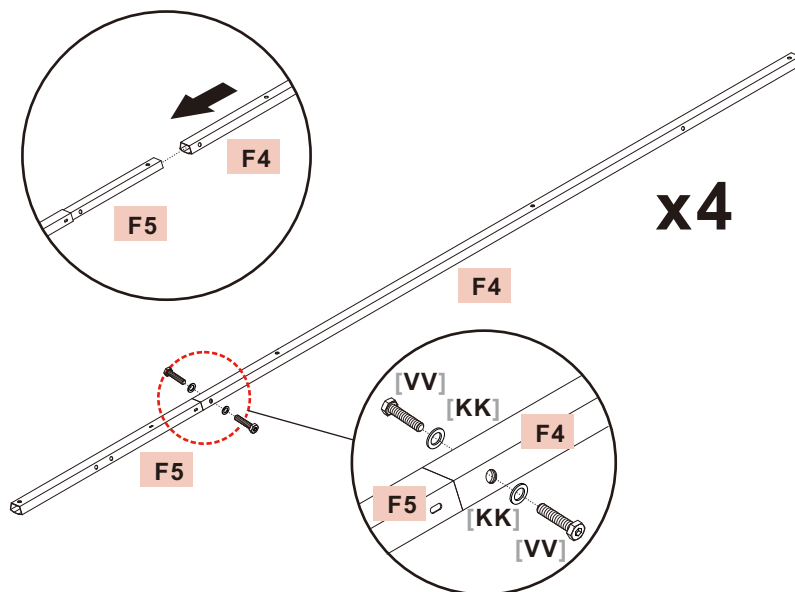


STEP 9#

Slide roof rib **F4** onto **F5**. Securing with two (2) [VV] bolts and two (2) [KK] flat washers. Repeat with the other three (3) roof rib assembly.

[VV] x8

[KK] x8

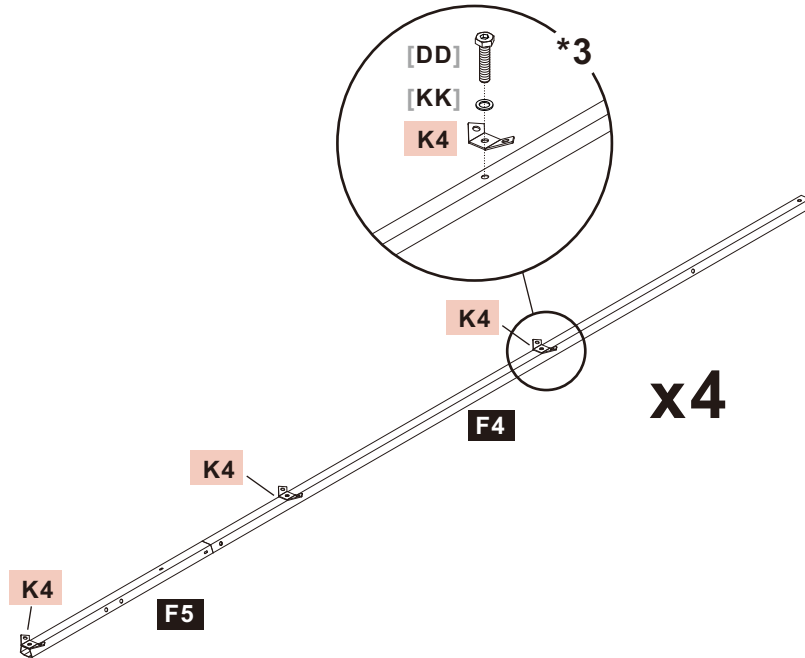


STEP 10#

Use one (1) [DD] bolt and one (1) [KK] flat washer to attach each connector K4 to roof rib F4 F5. Repeat to make another three (3) assemblies.

[DD] x12

[KK] x12

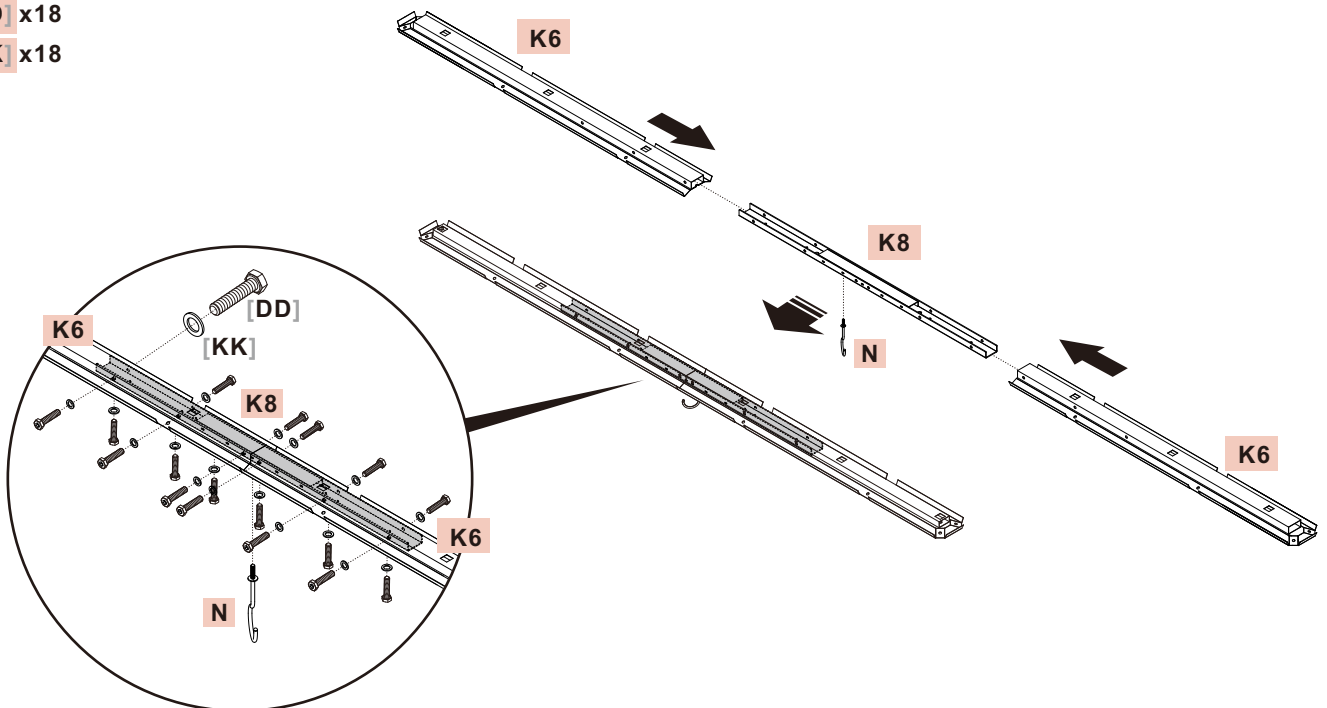


STEP 11#

Attach hook N to connector K8. Slide two (2) connectors K6 onto connector K8. Use eighteen (18) [DD] bolts and eighteen (18) [KK] flat washers to attach connector K6 to K8.

[DD] x18

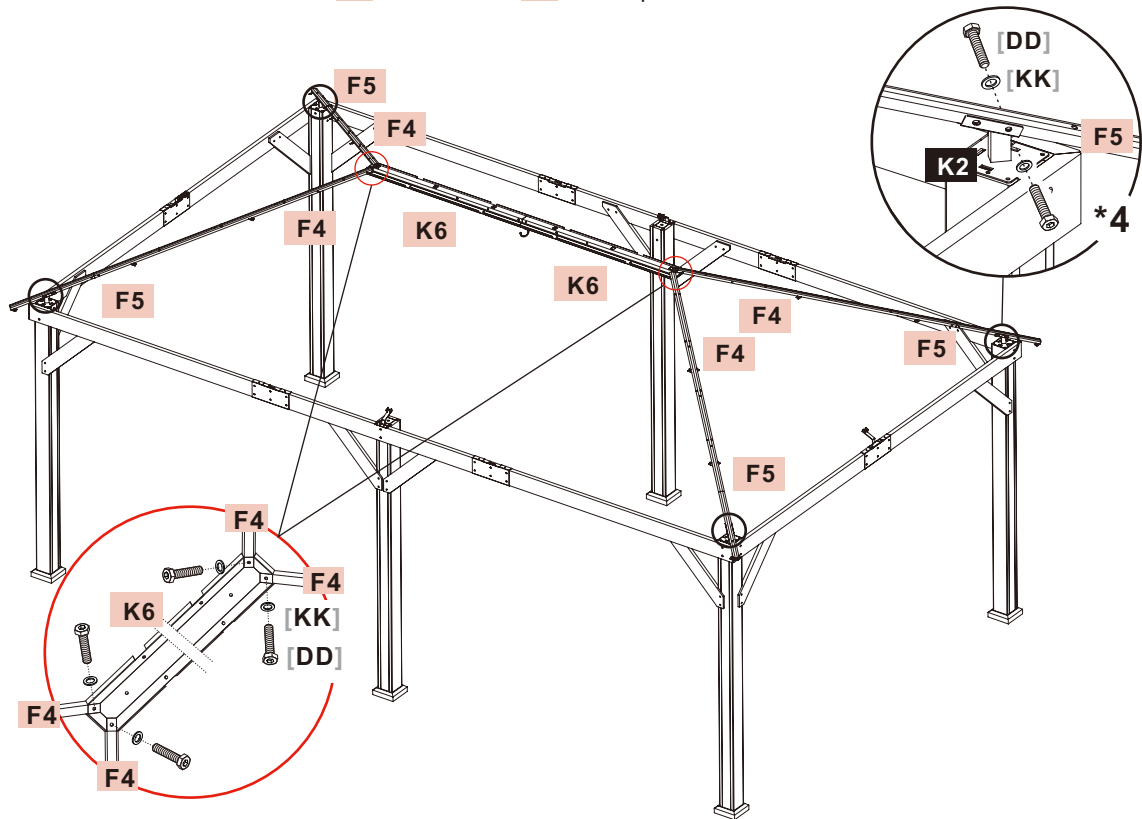
[KK] x18



STEP 12#

Use four (4) [DD] bolts and four (4) [KK] flat washers to attach connector **K6** to roof ribs **F4**. Use two (2) [DD] bolts and two (2) [KK] flat washers to attach each roof rib **F5** to connector **K2** on the posts.

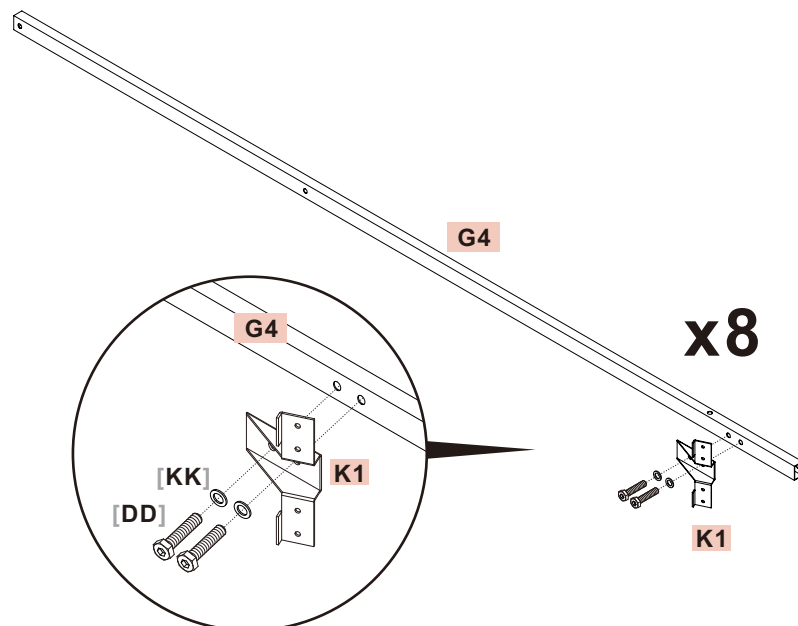
- [KK] x12
- [DD] x12



STEP 13#

Use two (2) [DD] bolts and two (2) [KK] flat washers to attach one (1) connector **K1** to middle cross beam **G4**. Repeat with the other seven (7) **G4**.

- [KK] x16
- [DD] x16

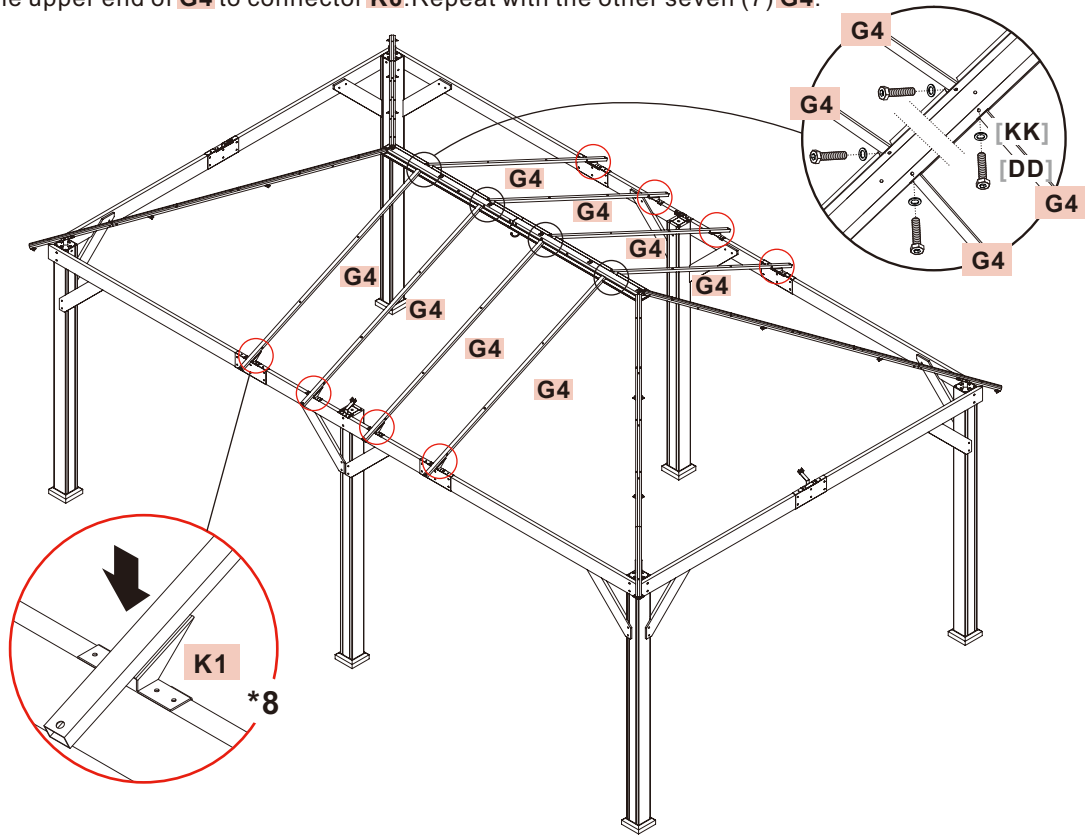


STEP 14#

Attach connector **K1** to cross beam without securing(will secure in the following steps).Use one (1) **[DD]** bolt and one (1) **[KK]** flat washer to attach the upper end of **G4** to connector **K6**.Repeat with the other seven (7) **G4**.

[KK] x8

[DD] x8



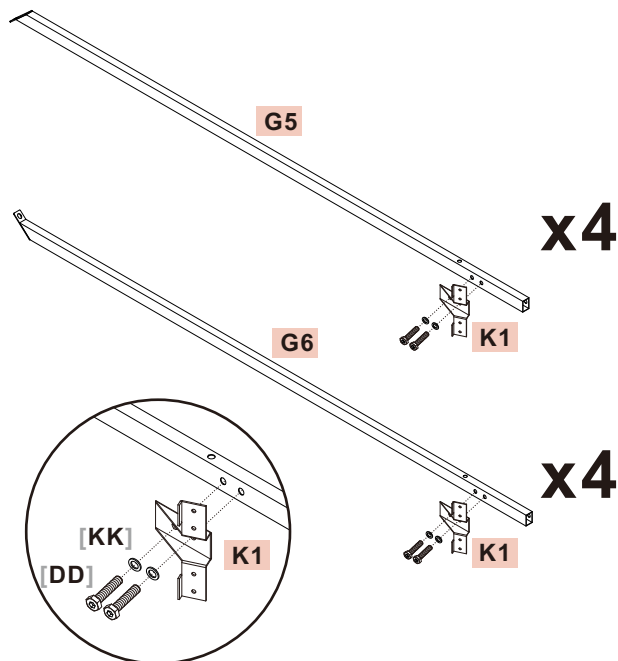
STEP 15#

Use two (2) **[DD]** bolts and two (2) **[KK]** flat washers to attach one (1) connector **K1** to middle cross beam **G5**.Repeat to make the other three (3) assemblies

Use two (2) **[DD]** bolts and two (2) **[KK]** flat washers to attach one (1) connector **K1** to middle cross beam **G6**.Repeat to make the other three (3) assemblies.

[KK] x16

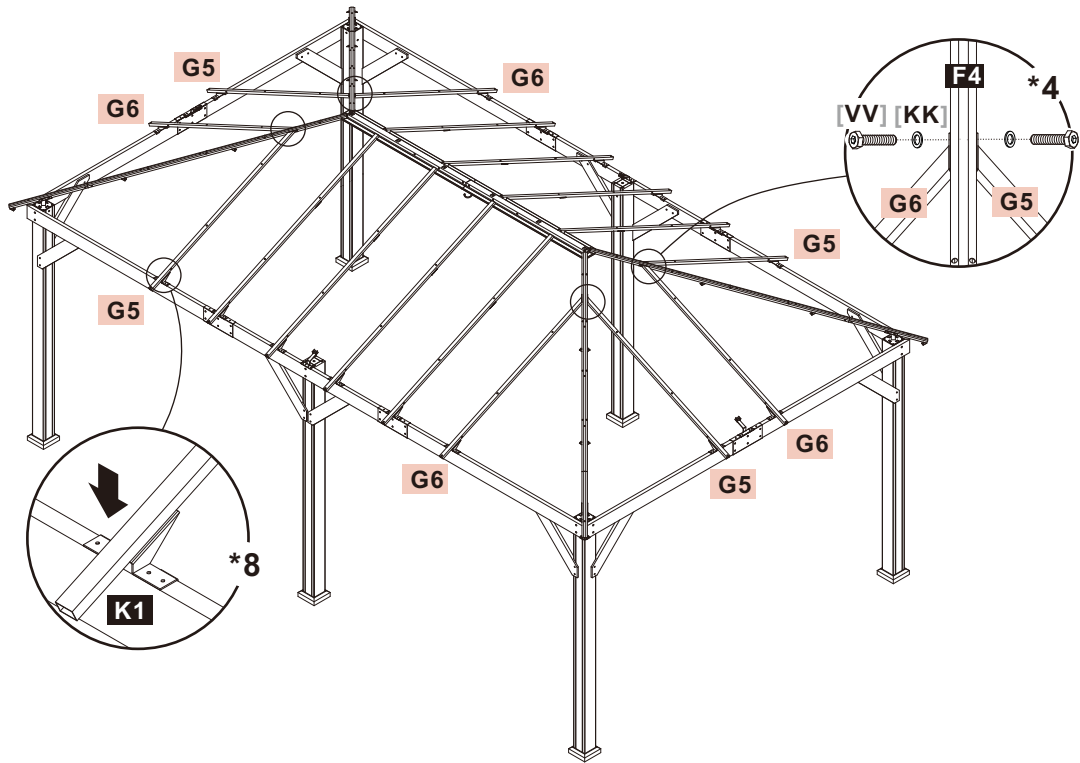
[DD] x16



STEP 16#

Attach connector **K1** to cross beams without securing (will secure in the following steps). Use one (1) **[VV]** bolt and one (1) **[KK]** flat washer to attach the upper end of **G5** to roof rib **F4**. Repeat with the other three (3) **G5** and four (4) **G6**.

- [KK]** x8
- [VV]** x8



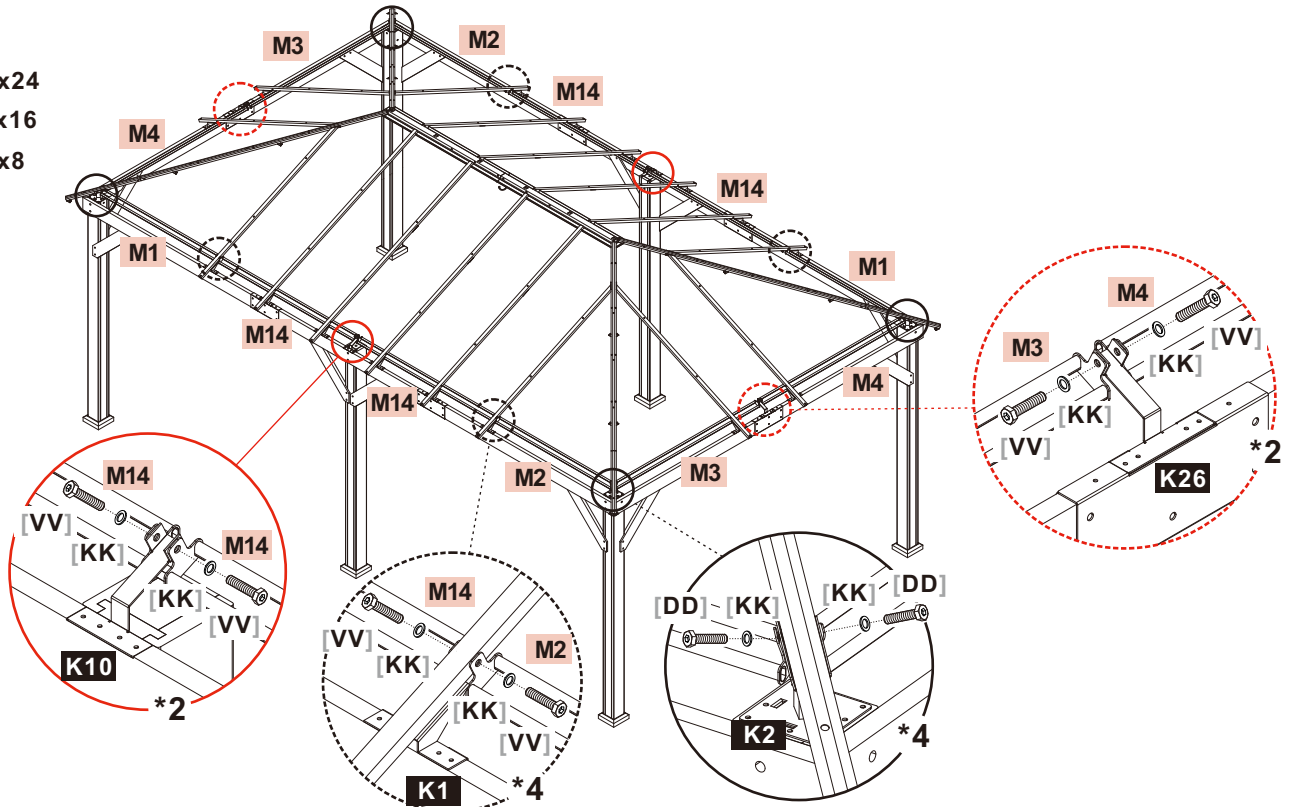
STEP 17#

Use two (2) **[VV]** bolts and two (2) **[KK]** flat washers to attach two ends of one (1) mosquito net rod **M14** to connector **K10** and Middle Cross Beam. Repeat with the other three (3) **M14**.

Use one (1) **[VV]** bolt and one (1) **[KK]** flat washer to attach one end of **M1** to Middle Cross Beam, use one (1) **[DD]** bolt and one (1) **[KK]** flat washer to attach the other end of **M1** to **K2**. Repeat with the other **M1** and two (2) **M2**.

Use one (1) **[VV]** bolt and one (1) **[KK]** flat washer to attach one end of **M3** to connector **K26**, use one (1) **[DD]** bolt and one (1) **[KK]** flat washer to attach the other end of **M1** to **K2**. Repeat with the other **M3** and two (2) **M4**.

- [KK]** x24
- [VV]** x16
- [DD]** x8

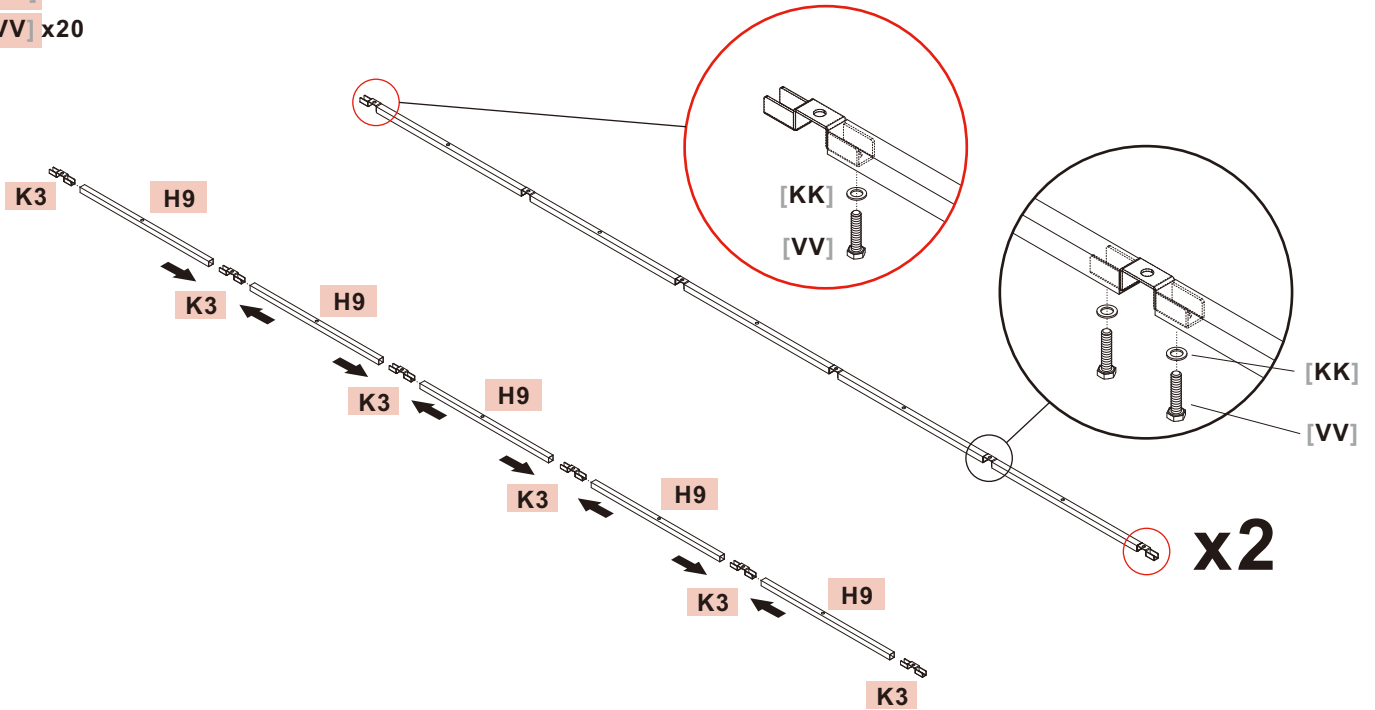


STEP 18#

Create a roof support assembly by sliding the parts together in this order : **K3,H9,K3,H9,K3,H9,K3,H9,K3,H9** and **K3**. Secure using **[VV]** bolts and **[KK]** washers.Repeat the process to make a second assembly.

[KK] x20

[VV] x20

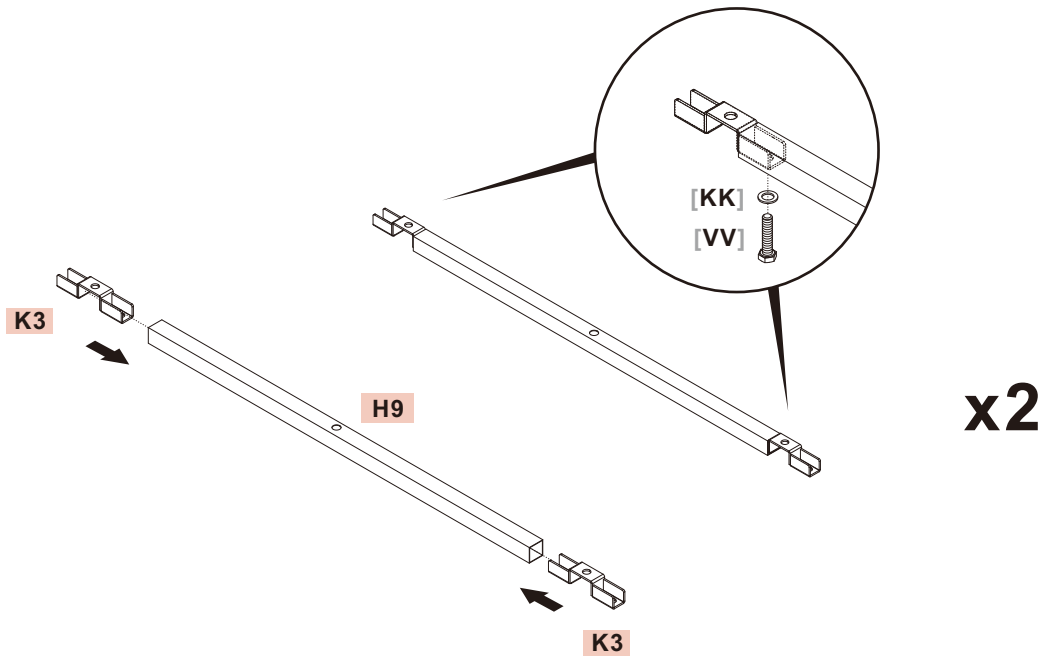


STEP 19#

Create a roof support assembly by sliding the parts together in this order: **K3,H9** and **K3**. Secure using **[VV]** bolt and **[KK]** washer.Repeat the process to make a second assembly.

[KK] x4

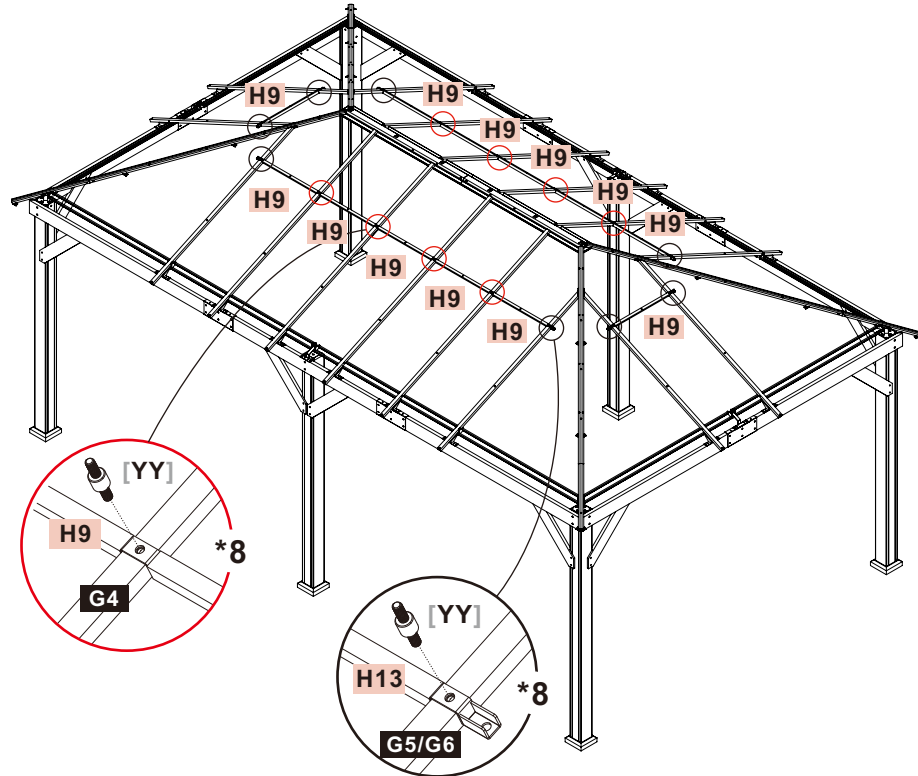
[VV] x4



STEP 20#

Use two (2) [YY] double-headed screws to attach one (1) short roof support assembly **H9 K3** to middle cross beam **G5/G6**. Repeat with the other roof support assembly **H9 K3**.
 Use six (6) [YY] double-headed screws to attach one (1) long roof support assembly **H9 K3** to middle cross beam **G4/G5/G6**. Repeat with the other roof support assembly **H9 K3**.

[YY] x16

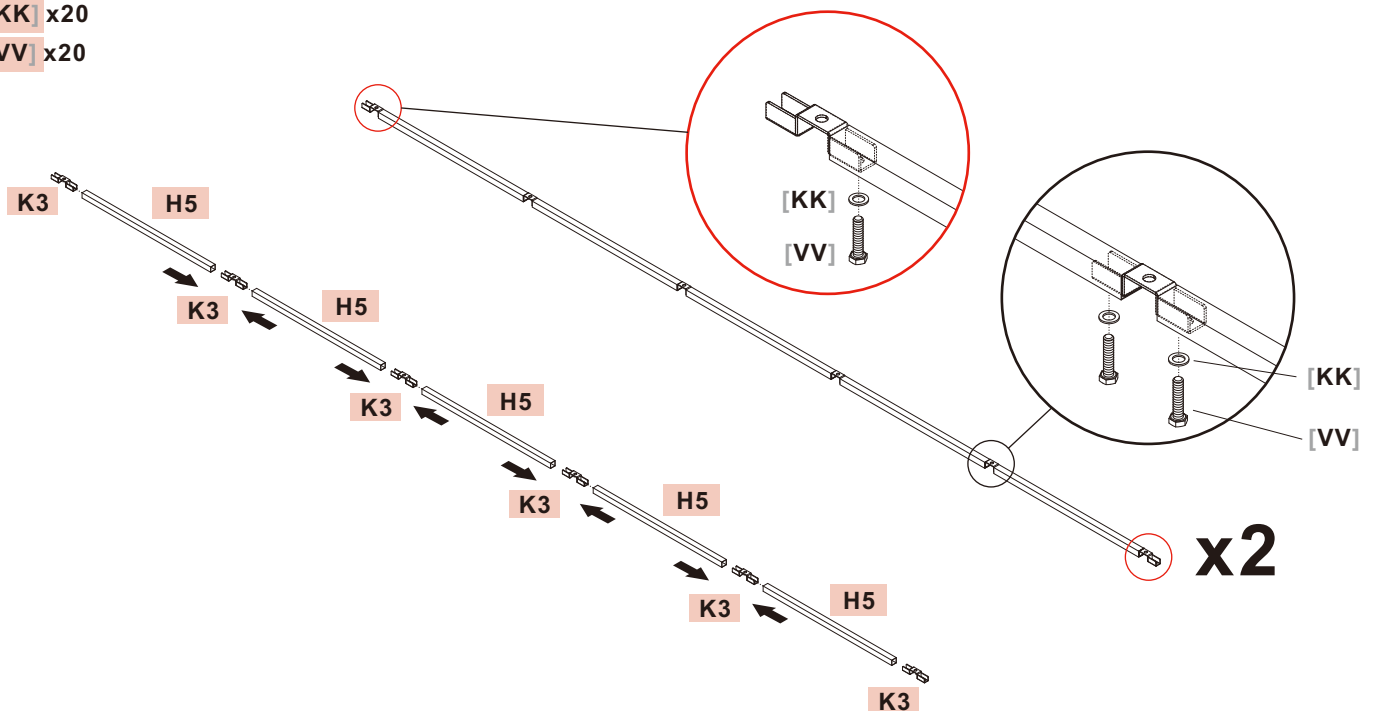


STEP 21#

Create a roof support assembly by sliding the parts together in this order : **K3,H5,K3,H5,K3,H5,K3,H5,K3,H5** and **K3**. Secure using [VV] bolts and [KK] washers. Repeat the process to make a second assembly.

[KK] x20

[VV] x20

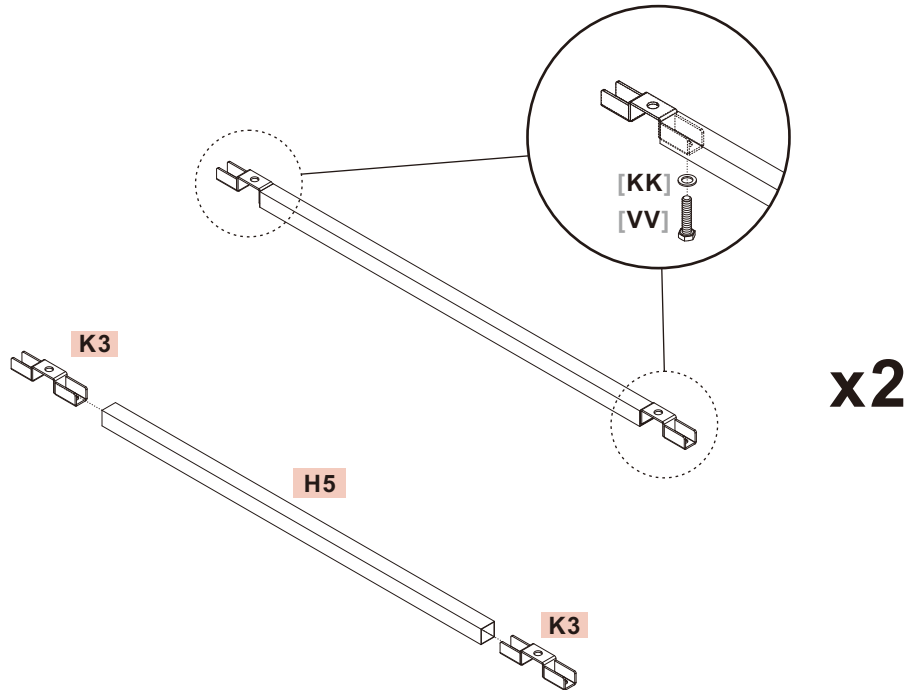


STEP 22#

Create a roof support assembly by sliding the parts together in this order: **K3, H5** and **K3**. Secure using **[VV]** bolt and **[KK]** washer. Repeat the process to make a second assembly.

[KK] x4

[VV] x4



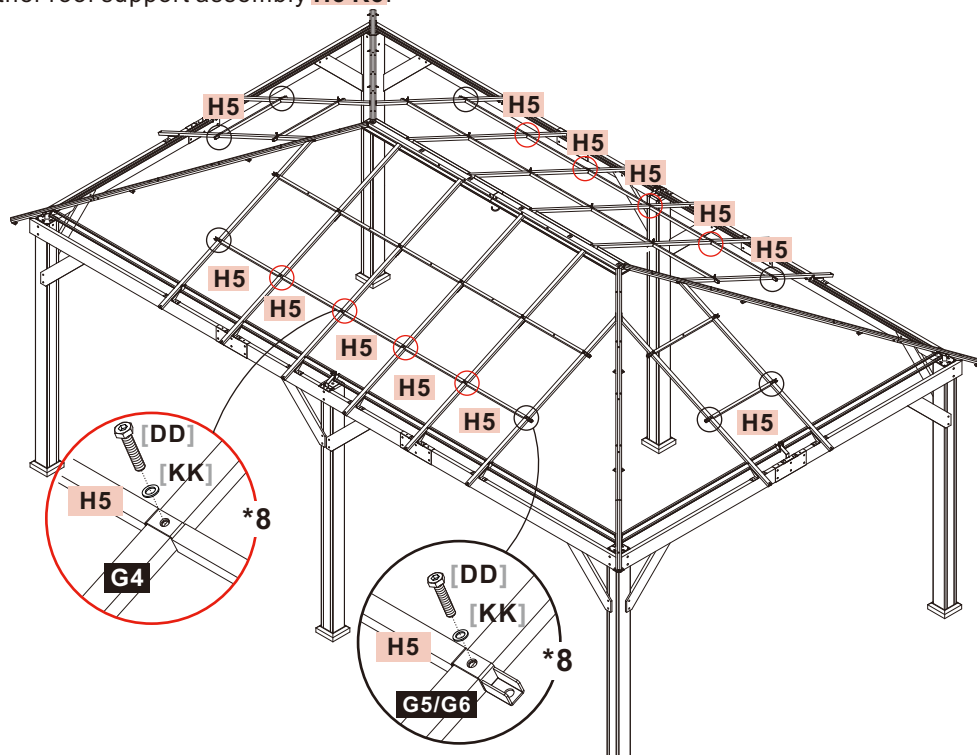
STEP 23#

Use one (1) **[DD]** bolt and one (1) **[KK]** flat washer to attach one (1) short roof support assembly **H5 K3** to middle cross beam **G5/G6**. Repeat with the other roof support assembly **H5 K3**.

Use six (6) **[DD]** bolts and six (6) **[KK]** flat washers to attach one (1) long roof support assembly **H5 K3** to middle cross beam **G4/G5/G6**. Repeat with the other roof support assembly **H5 K3**.

[KK] x16

[DD] x16



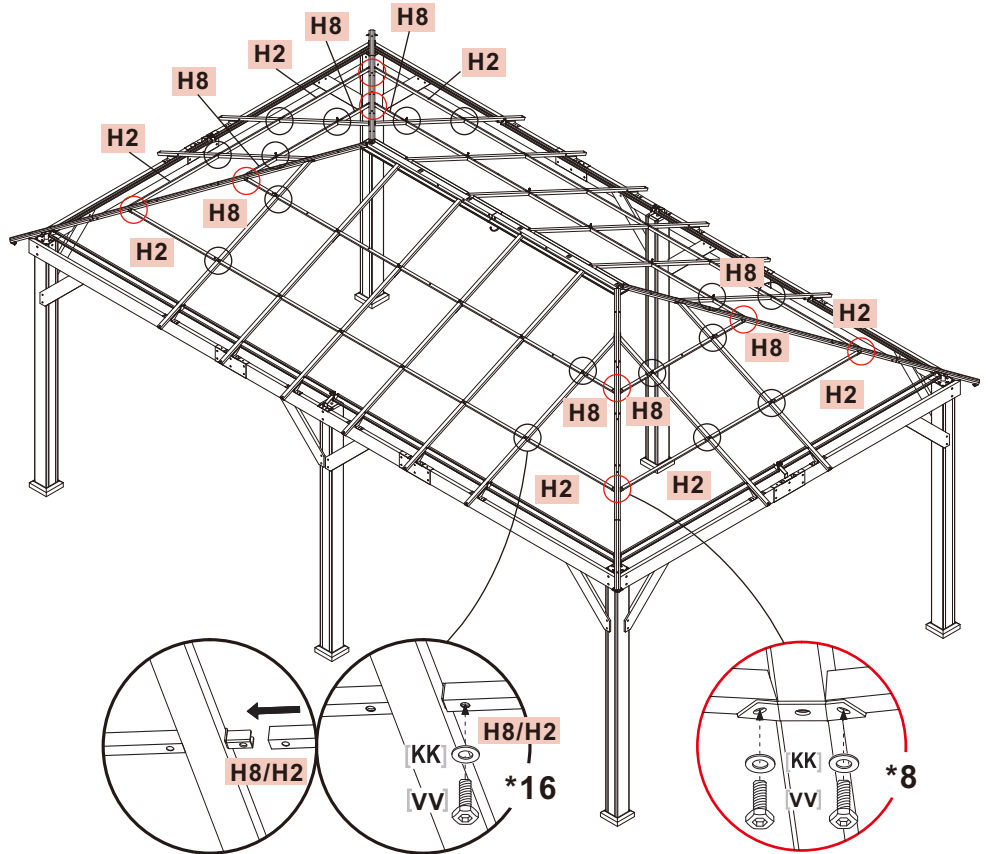
STEP 24#

Slide roof support **H8** onto middle cross beam **G5/G6**. Use two (2) **[VV]** bolts and two (2) **[KK]** flat washers to attach one (1) **H8** to **G5/G6** and roof rib assembly **F4 F5**. Repeat with the other seven (7) **H8**.

Slide roof support **H2** onto middle cross beam **G 5 / G 6**. Use two (2) **[VV]** bolts and two (2) **[KK]** flat washers to attach one (1) **H2** to **G5/G6** and roof rib assembly **F4 F5**. Repeat with the other seven (7) **H2**.

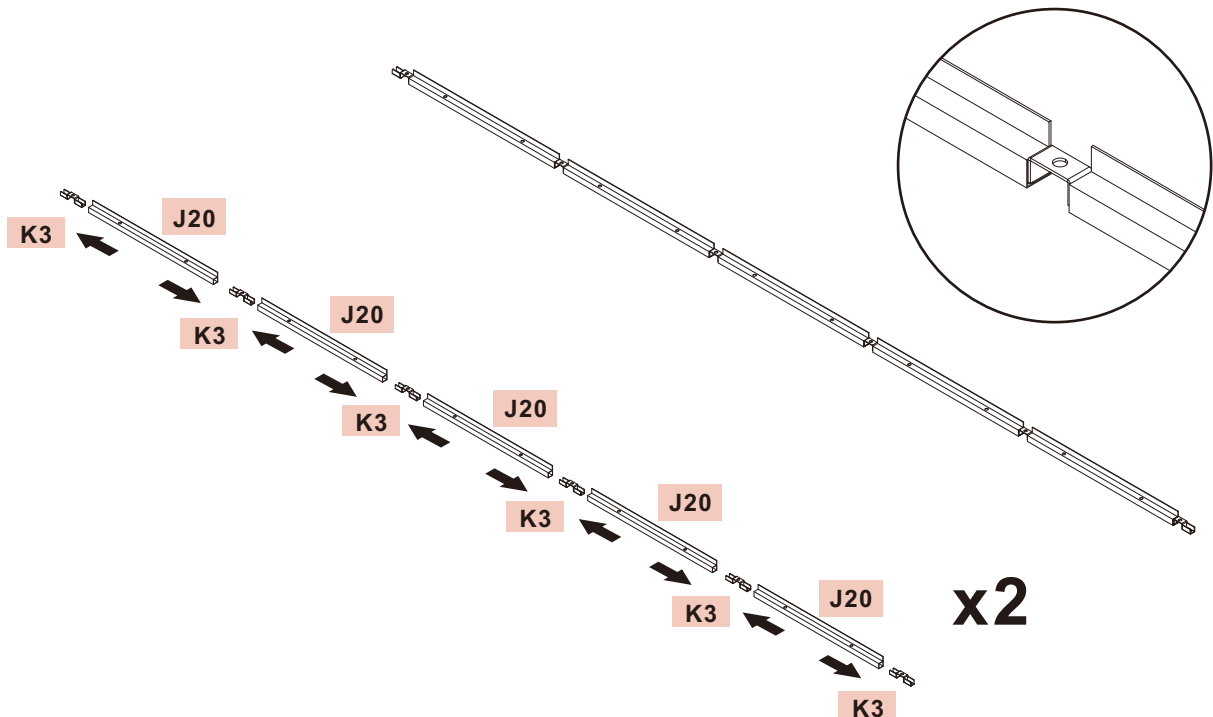
[KK] x32

[VV] x32



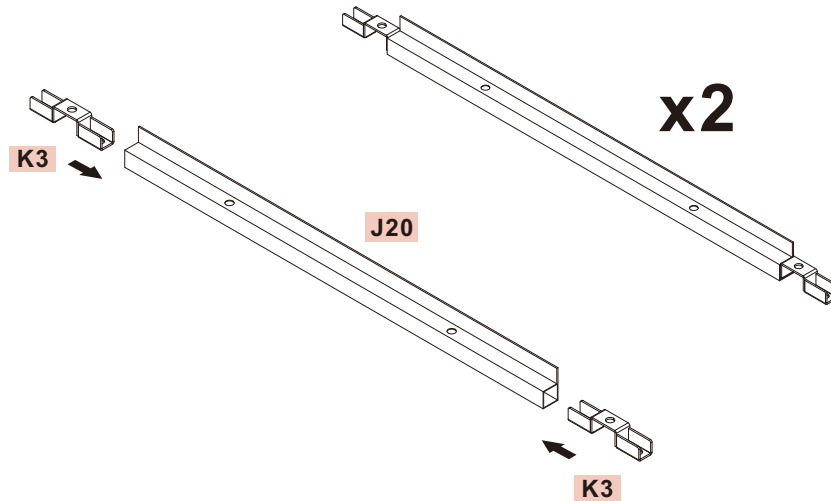
STEP 25#

Create a roof lower border assembly by sliding the parts together in this order: **K3, J20, K3, J20, K3, J20, K3, J20, K3, J20** and **K3**. Repeat the process to make a second assembly.



STEP 26#

Create a roof lower border assembly by sliding the parts together in this order: **K3**, **J20** and **K3**. Repeat the process to make a second assembly.

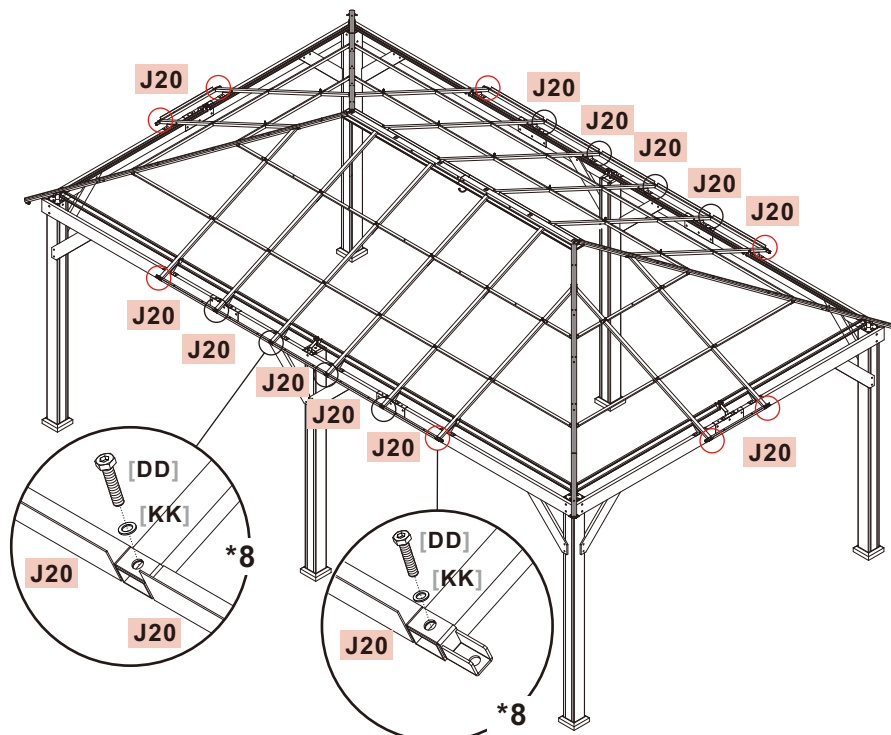


STEP 27#

Use two (2) **[DD]** bolt and two (2) **[KK]** flat washer to attach one (1) short roof lower border assembly **K3 J20** to middle crossbeam **G5/G6**. Repeat with the other roof support assembly **K3 J20**. Use six (6) **[DD]** bolts and six (6) **[KK]** flat washers to attach one (1) long roof lower border assembly **K3 J20** to middle cross beam **G4/G5/G6**. Repeat with the other roof support assembly **K3 J20**.

[KK] x16

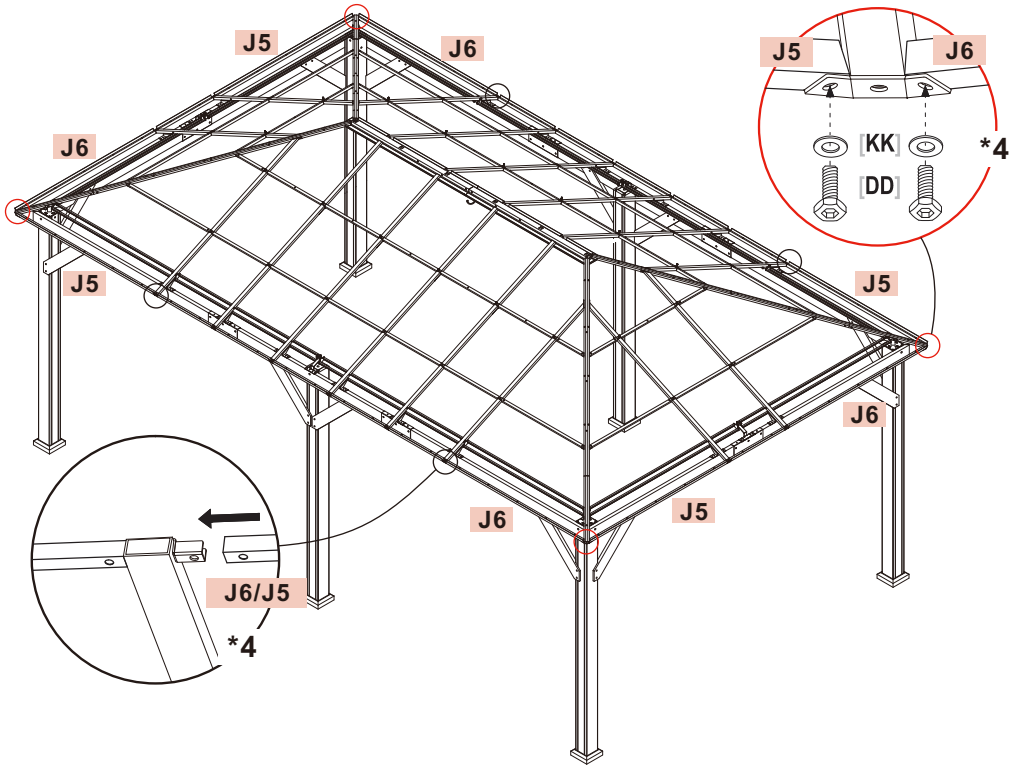
[DD] x16



STEP 28#

Slide roof lower border **J5** onto **G5/G6**. Use one (1) **[DD]** and one (1) **[KK]** flat washer to attach **J5** to roof rib **F4 F5**. Repeat with the other three (3) **J5** and four (4) **J6**.

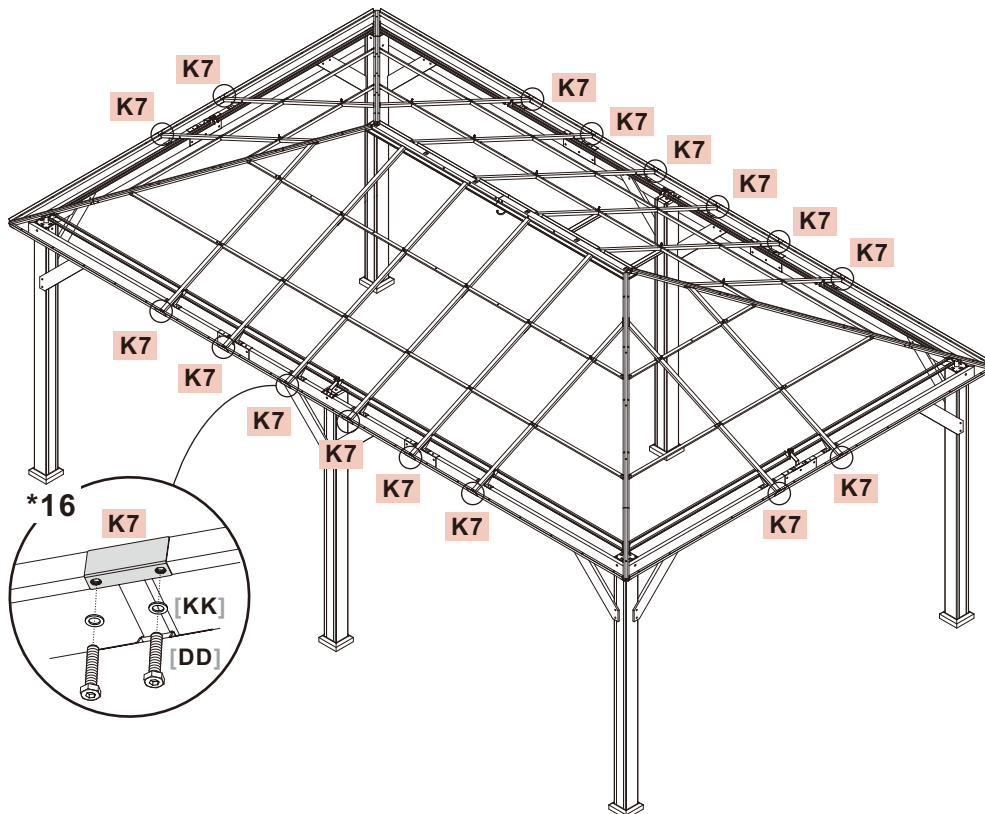
- [KK]** x8
- [DD]** x8



STEP 29#

Use two (2) **[DD]** bolts and two (2) **[KK]** flat washers to attach one (1) connector **K7** to roof lower borders. Repeat with the other fifteen (15) connectors **K7**.

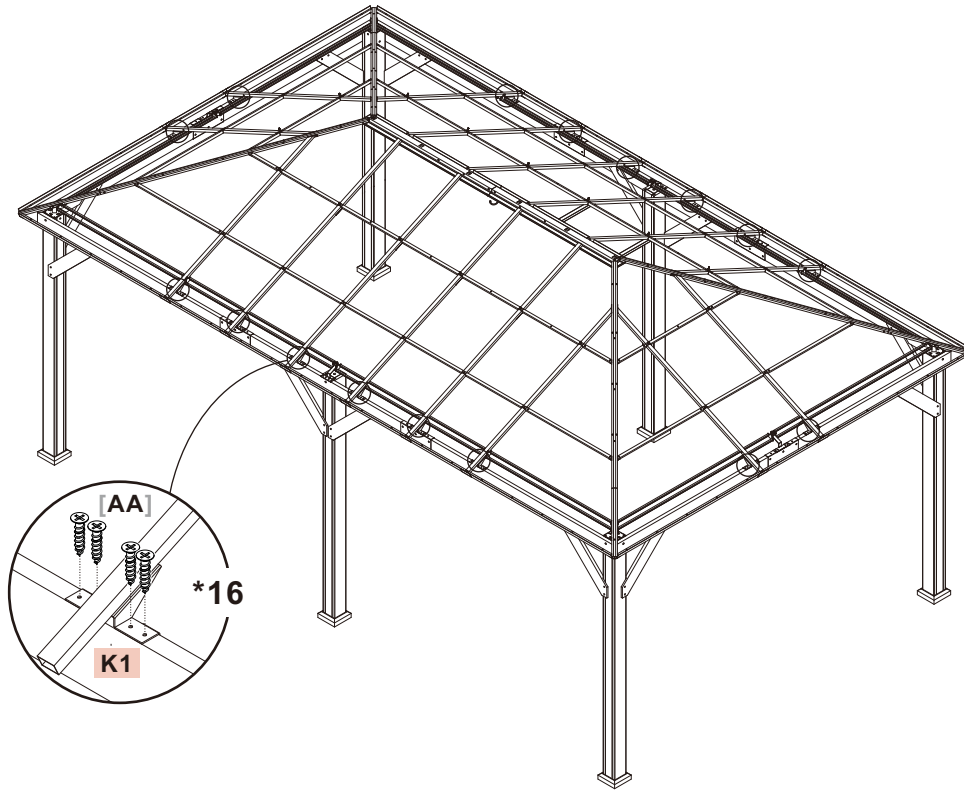
- [KK]** x32
- [DD]** x32



STEP 30#

Use four (4) [AA] bolts to attach each connector **K1** to cross beams.

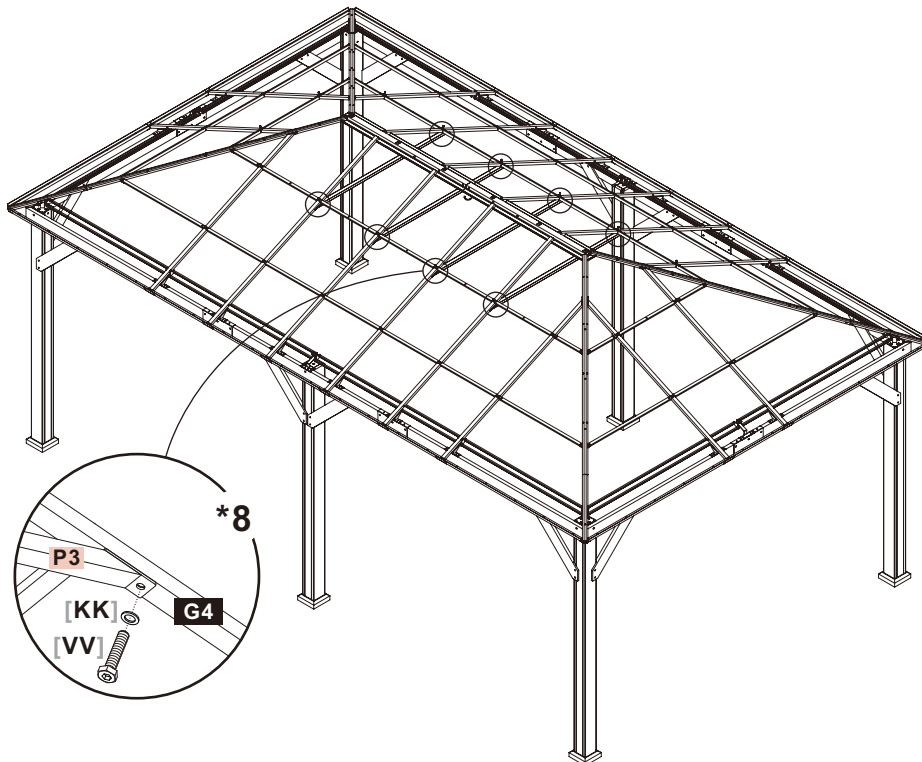
[AA] x64

**STEP 31#**

Use two (2) [VV] bolts and two (2) [KK] flat washers to attach one (1) middle cross beam support **P3** to middle cross beam **G4**. Repeat with the other three (3) **P3**.

[KK] x8

[VV] x8



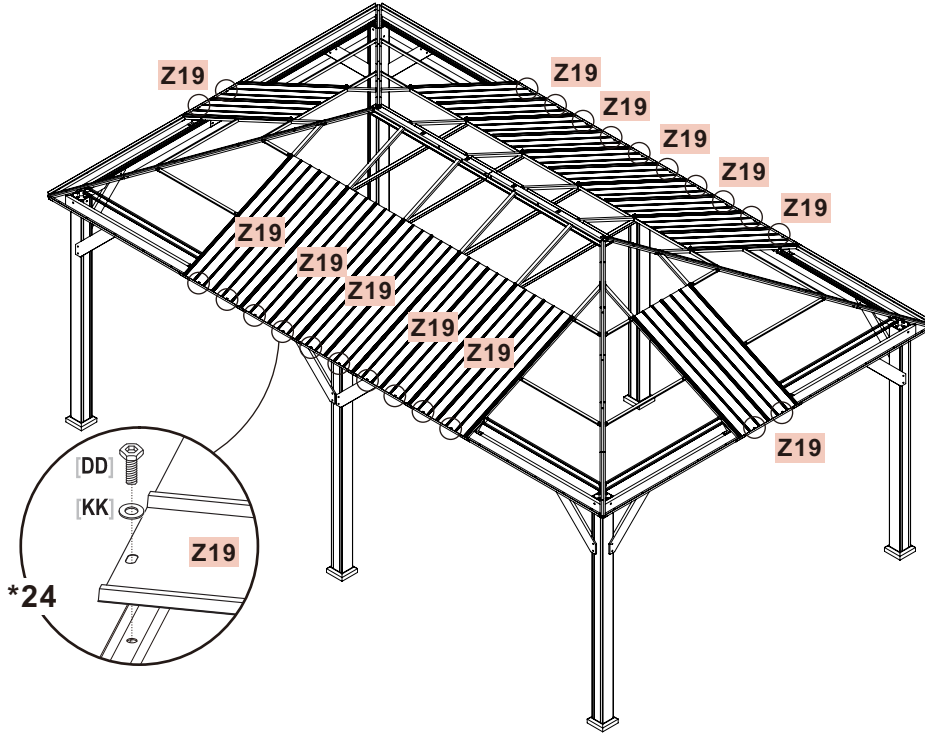
STEP 32#

DO NOT tighten the bolts completely until all the bolts and washers are properly installed. Overlap the edges of the adjacent roof plates together.

Use one (1) [DD] bolt and one (1) [KK] flat washer to attach each hole of roof plates Z19 to the frame.

[KK] x24

[DD] x24



STEP 33#

Overlap the edges of the adjacent roof plates together.

Use one (1) [ZZ] ball nut, one (1) [ZY] flat washer and one (1) [ZX] sealant washer to attach each hole in the black circle of roof plates Z18 to the [YY] screw.

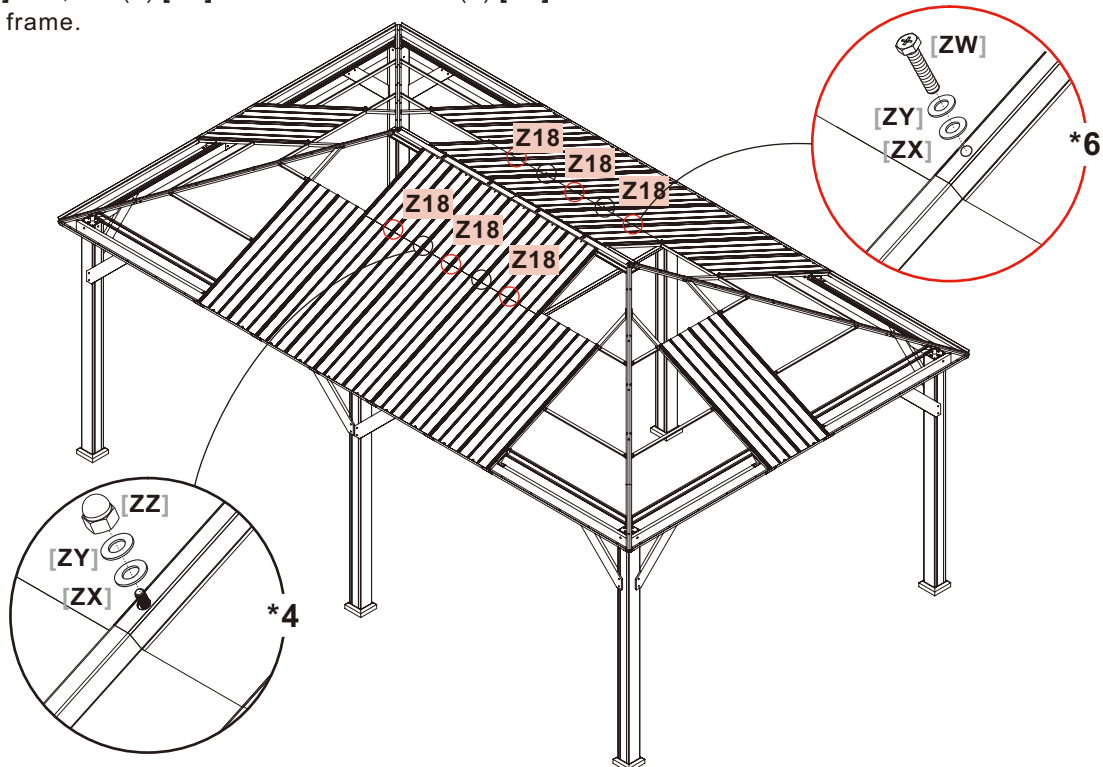
Use one (1) [ZW] bolt, one (1) [ZY] flat washer and one (1) [ZX] sealant washer to attach each hole in the red circle of roof plates Z18 to the frame.

[ZZ] x4

[ZX] x10

[ZY] x10

[ZW] x6



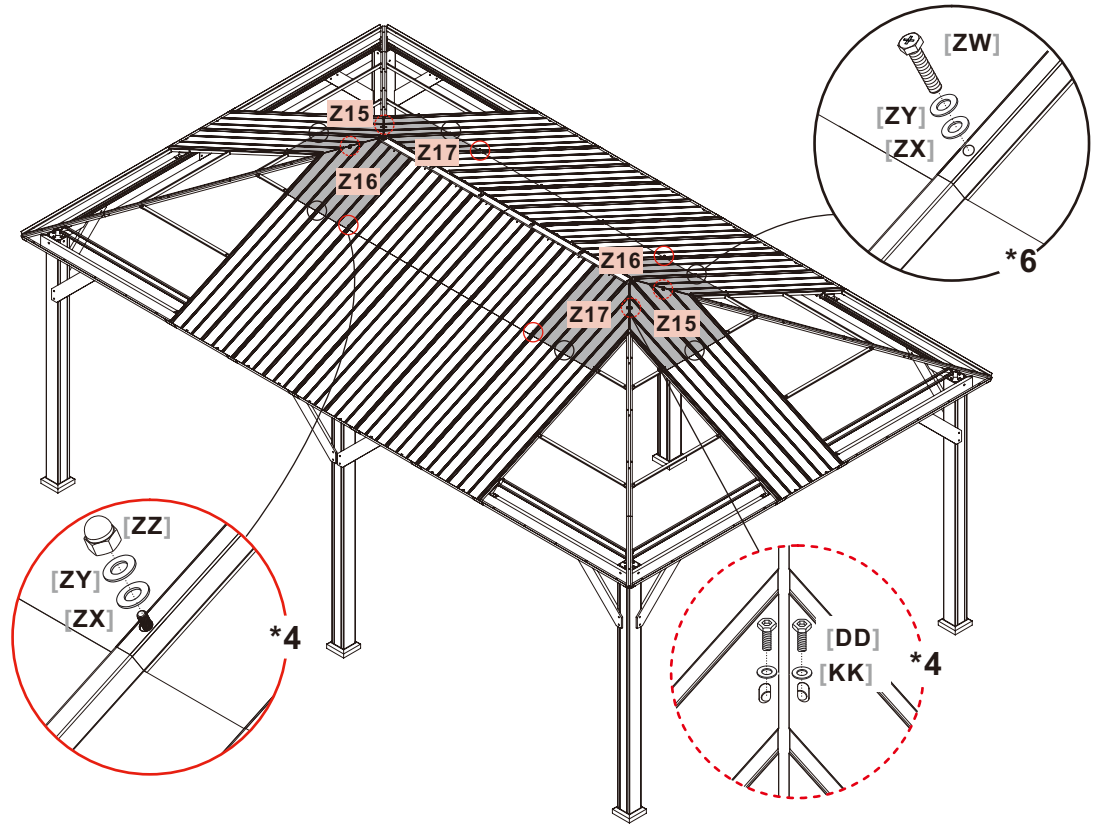
STEP 34#

Overlap the edges of the adjacent roof plates together. Use one (1) [DD] bolt and one (1) [KK] flat washer to attach each hole on the roof plates **Z15, Z16** and **Z17** to the frame.

Use one (1) [ZZ] ball nut, one (1) [ZY] flat washer and one (1) [ZX] sealant washer to attach each hole in the red circle of lower end of roof plates **Z16** and **Z17** to the [YY] screw.

Use one (1) [ZW] bolt, one (1) [ZY] flat washer and one (1) [ZX] sealant washer to attach each hole in the black circle of roof plates **Z15, Z16** and **Z17** to the frame.

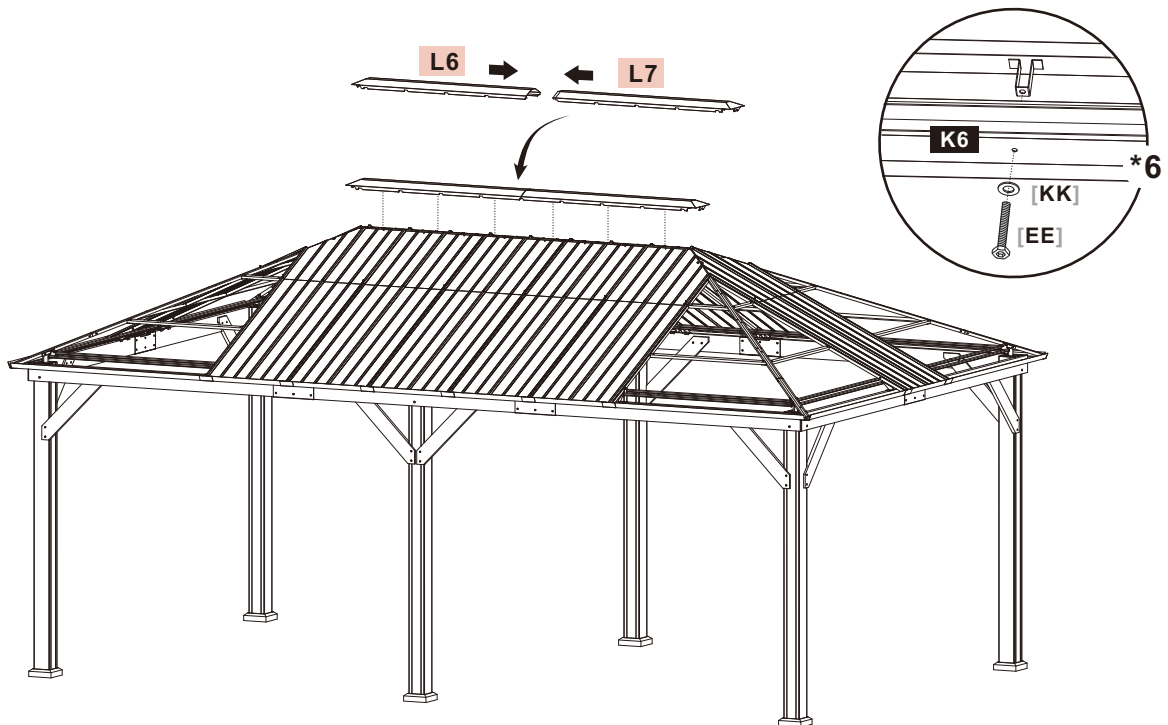
- [ZZ] x4 [ZW] x6
- [ZX] x10 [DD] x8
- [ZY] x10 [KK] x8



STEP 35#

Slide roof rib cover **L6** to **L7**. Use eight (8) [EE] bolt and eight (8) [KK] flat washer to attach roof rib cover **L6 L7** to connector **K6**.

- [KK] x6
- [EE] x6

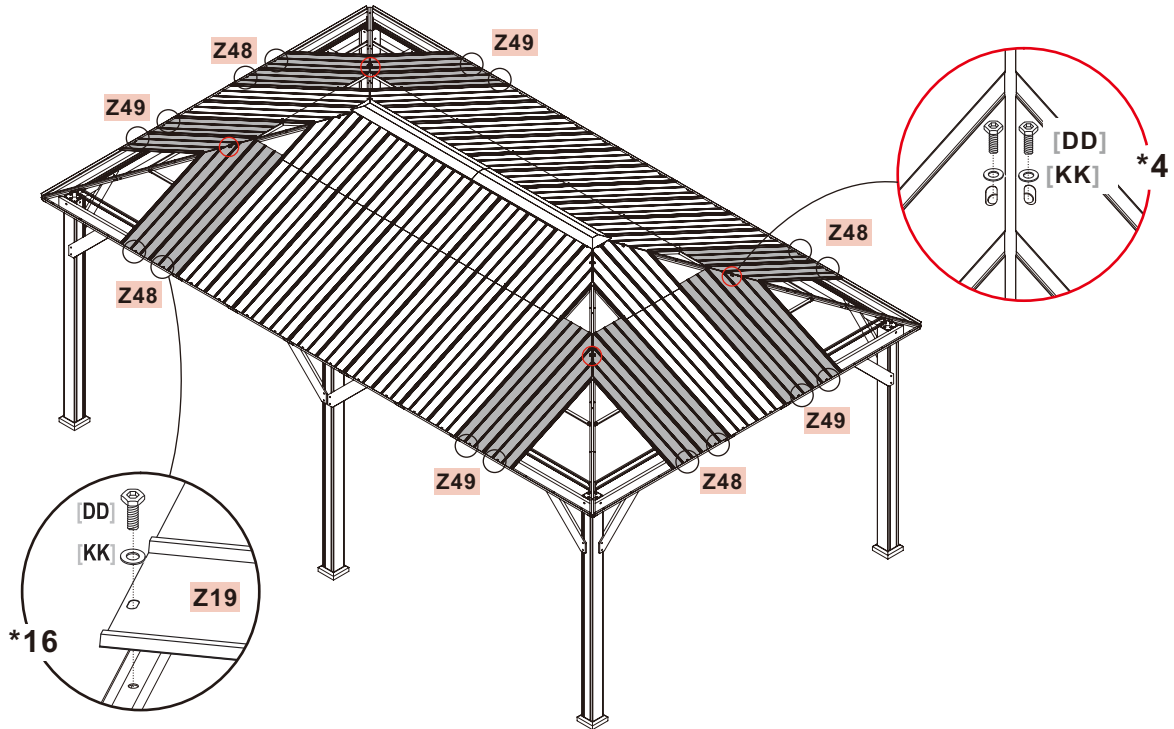


STEP 36#

Overlap the edges of the adjacent roof plates together. Use one (1) [DD] bolt and one (1) [KK] flat washer to attach each hole of roof plates **Z48** and **Z49** to the frame.

[DD] x24

[KK] x24



STEP 37#

Use one (1) [DD] bolt and one (1) [KK] flat washer to attach each hole on the roof plates **Z50** and **Z51** to the frame. Use one (1) [ZZ] ball nut, one (1) [ZY] flat washer and one (1) [ZX] sealant washer to attach each hole in the black circle of lower end of roof plates **Z50** and **Z51** to the [YY] screw.

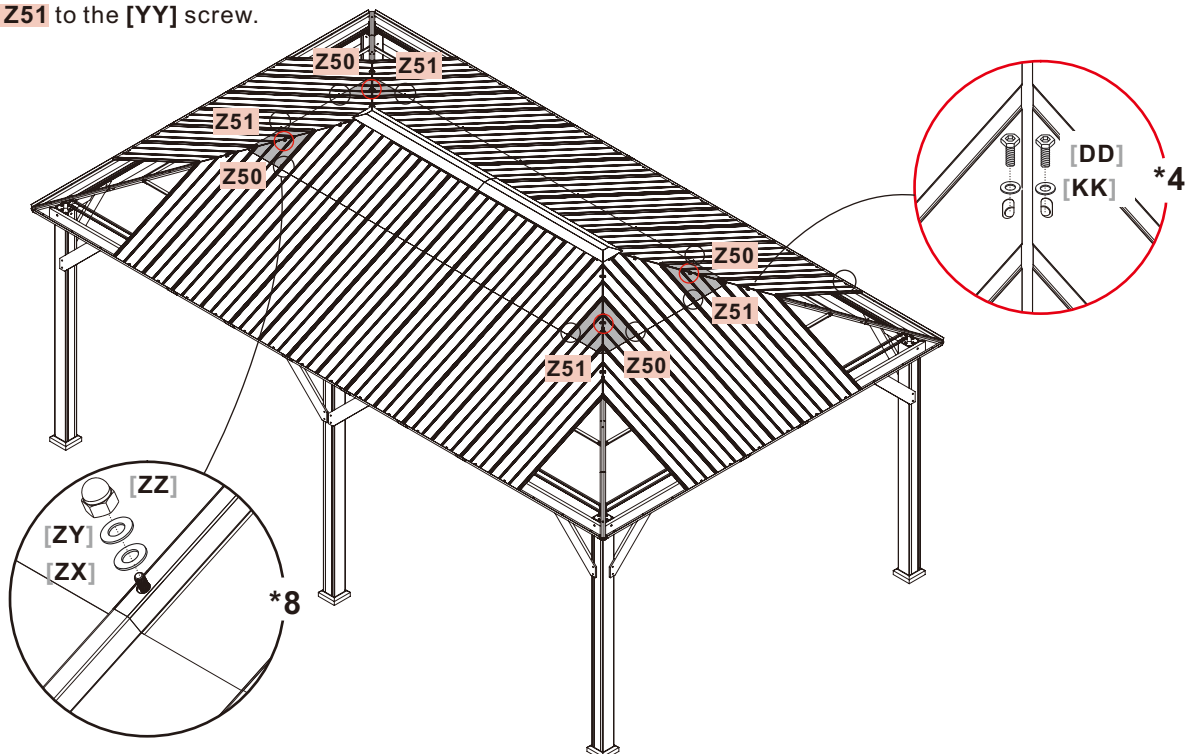
[ZZ] x8

[ZX] x8

[ZY] x8

[DD] x8

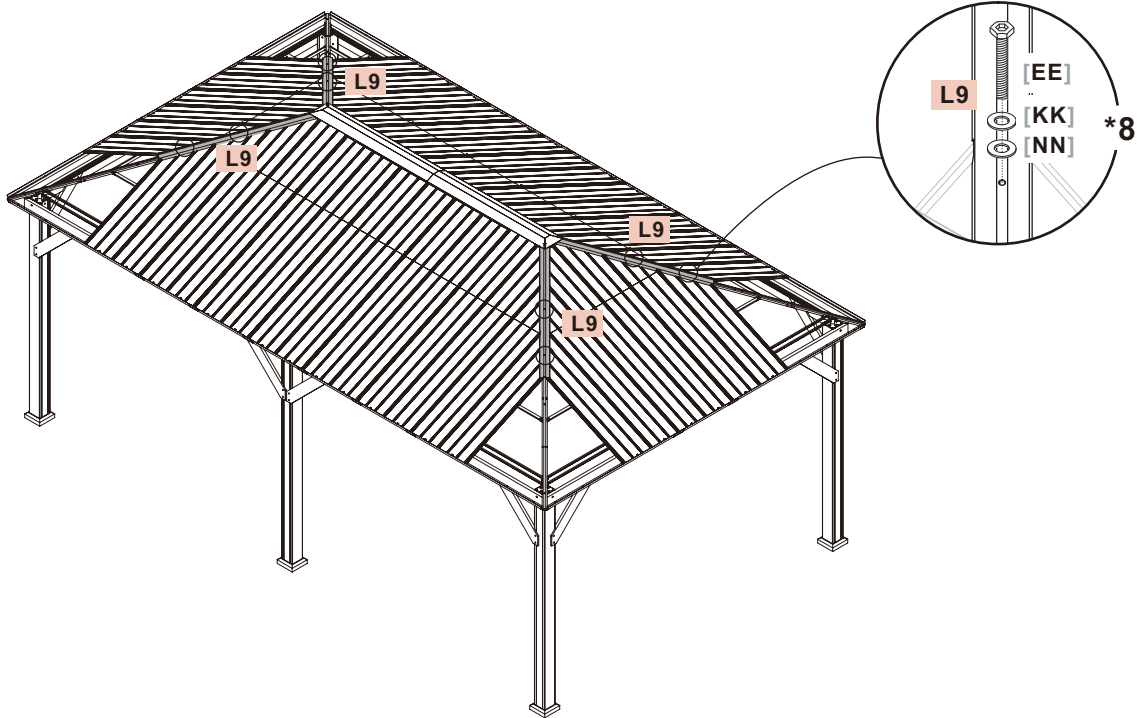
[KK] x8



STEP 38#

Use two (2) [EE] bolt,two (2) [KK] flat washers and two (2) [NN] sealant washers to attach one (1) roof rib cover **L9** to the roof.Repeat with the other three (3) roof rib covers **L9**.

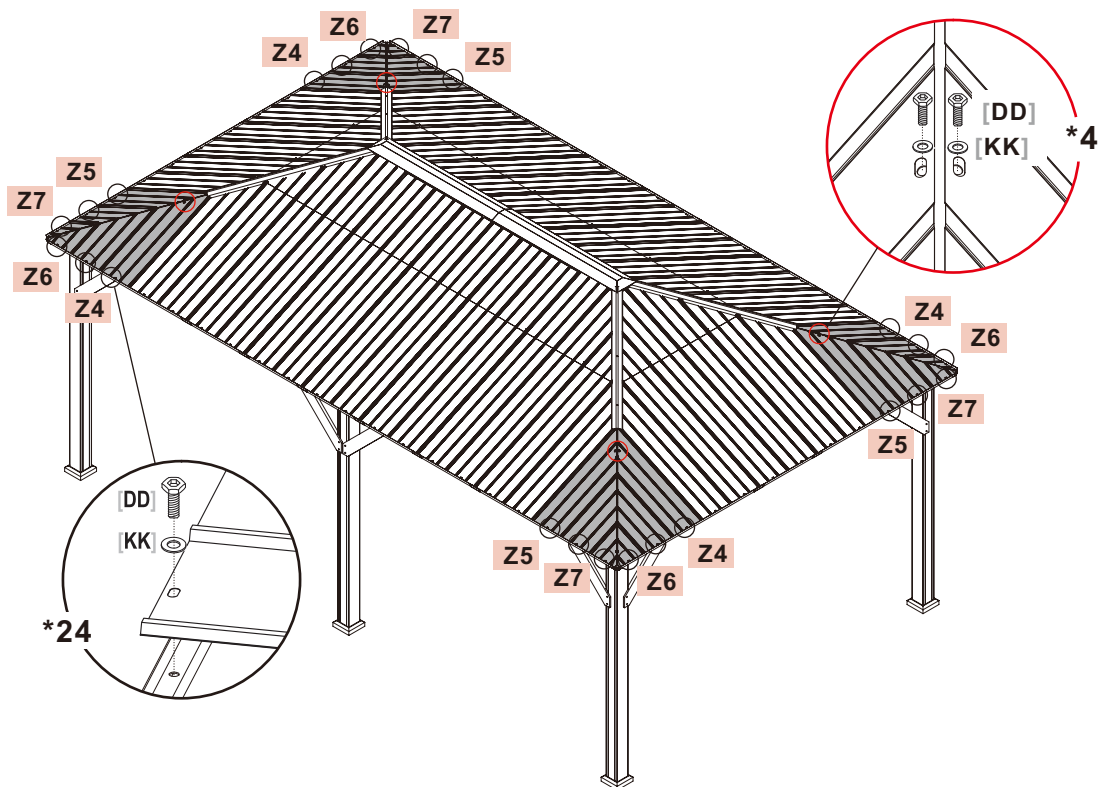
- [EE] x8
- [KK] x8
- [NN] x8



STEP 39#

Use one (1) [DD] bolt and one (1) [KK] flat washer to attach each hole of roof plates **Z4,Z5,Z6,Z7** to the frame.

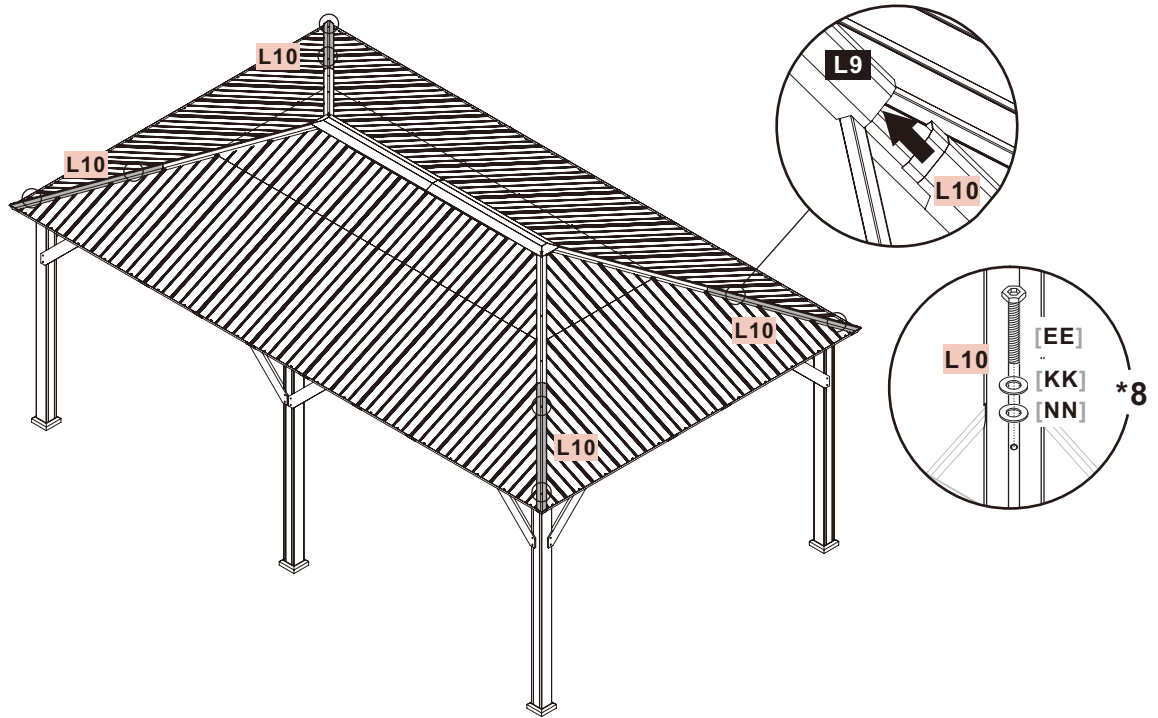
- [DD] x32
- [KK] x32



STEP 40#

Slide roof rib cover **L10** into **L9**. Use two (2) **[EE]**, two (2) **[KK]** flat washers and two (2) **[NN]** flat washers to attach one (1) roof rib cover **L10** to the roof. Repeat with the other three (3) roof rib cover **L10**.

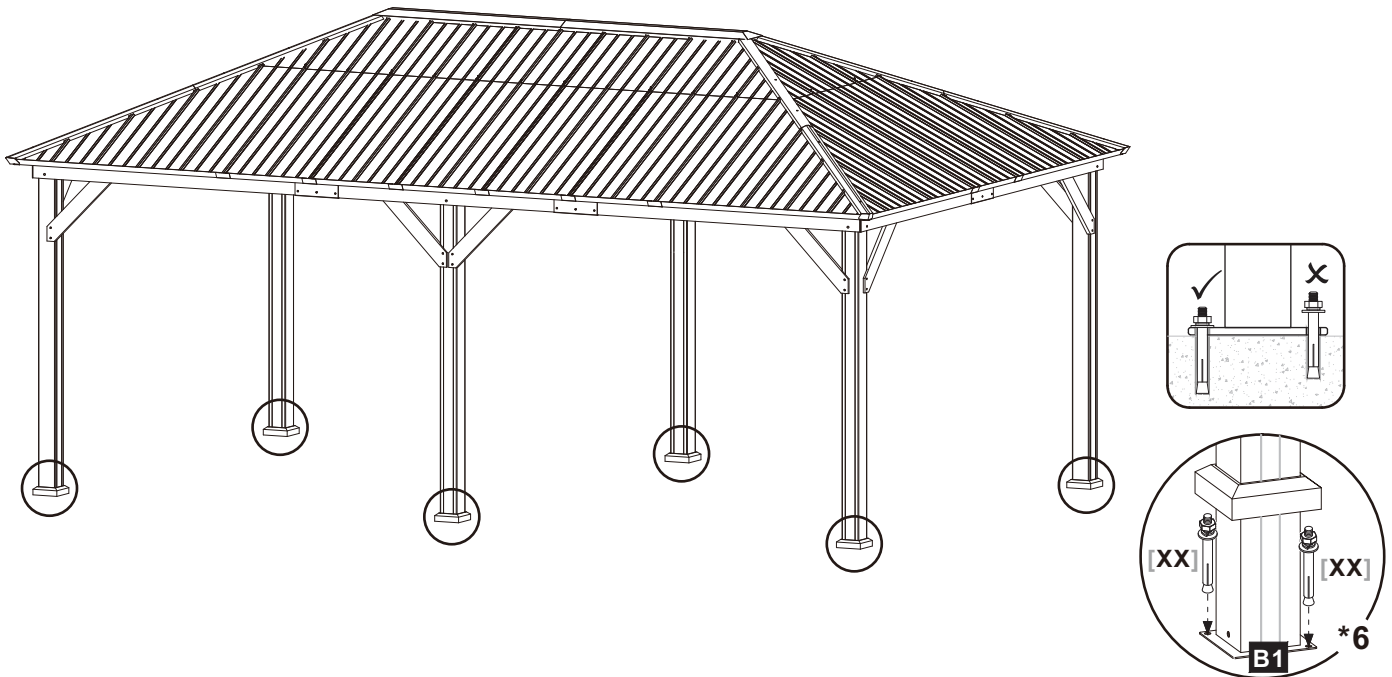
- [EE]** x8
- [KK]** x8
- [NN]** x8



STEP 41#

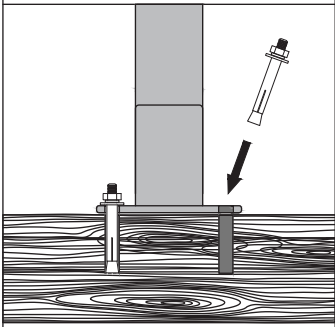
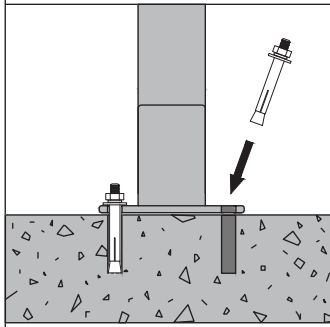


Use two (2) **[XX]** expansion bolts to anchor each post foot base **B1**. please make sure the We recommend using a 3/8 inch drill bit when installing the included expansion bolts.

- [XX]** x12



Outdoor Structure anchoring guide for anchoring gazebo to wood or concrete: If step 41, on page 25 in the assembly instructions is not properly completed, this will void the warranty.

WARNING! If your gazebo is not properly anchored, damage could occur. It is highly recommended for maximum safety that you mount and secure to wood or concrete footers. This is far better and safer than using ground stakes. The following are some examples of how to mount the structure to wood or concrete surfaces. Refer to local building codes or consider consulting a licensed contractor for assistance in the anchoring of this product.

WOOD	CONCRETE
	
<p>Anchors should be drilled into joists or reinforced blocking (not only deck boards).</p>  <p>Recommended Hardware: Expansion Bolt</p>	<p>Pre-drill holes for appropriately sized concrete anchors.</p>  <p>Recommended Hardware: Expansion Bolt</p>

If digging for foundation, please double check for possibility of any underground utilities such as gas, telephone, cable or sprinkler lines. Refer to your local building and city codes, ordinances, neighborhood covenants, or height restrictions regarding this type of structure for guidance on acceptable installation requirements.

CAUTION
DO NOT climb or walk on roof for any reason.

- Our components are intended for privacy, decorative and ornamental use only.
- Product is NOT INTENDED for the following:
 - A safety barrier to prevent unsupervised access to pools, hot tubs, spas or ponds.
 - As load bearing support for a building, structure, heavy objects or swings.
 - Used in structures that trap wind, rain or snow that would create extra load on the product.
 - Accumulated snow must be removed from roof.
 - DO NOT climb or walk on roof for any reason.

LIMITED WARRANTY

We warrants this product against defects in materials and workmanship for a period of one (1) year from the original date of purchase. To the extent any such defects occur, our products will send the appropriate replacement part(s) at no charge.

This warranty does not cover:

- Inspection costs or labor for replacement of any defective parts);
- Incidental or consequential damages;
- Cosmetic defects which DO NOT affect performance;
- Normal wear and tear;
- Damage due to vandalism; acts of nature, including but not limited to wind, storms, hail, floods;
- Improper assembly, installation, or use;
- Discoloration or fading of the finish as a result of exposure to chemicals, spills, pool or salt water
- Corrosion/ rust.

Your product has been designed for safety and quality. Any modifications made to the original product could compromise its structural integrity or function, and could lead to product failure or personal injury. As such, modifying this product voids any and all warranties.

This product is warranted for RESIDENTIAL USE ONLY, and is not for commercial, contract or other non-residential purposes. Products disclaims all other representations and warranties of any kind, express or implied.

The warranty applies to the original purchaser and is non-transferable. It does not apply to purchases of display models, or when the product is sold on clearance or "as is".

We makes no warranty whatsoever in respect to accessories or parts not supplied with it. This warranty shall apply only within the boundaries of the United States of America and Canada. This warranty gives the original purchaser specific rights, and the original purchaser may also have other rights, which vary from state to state.

