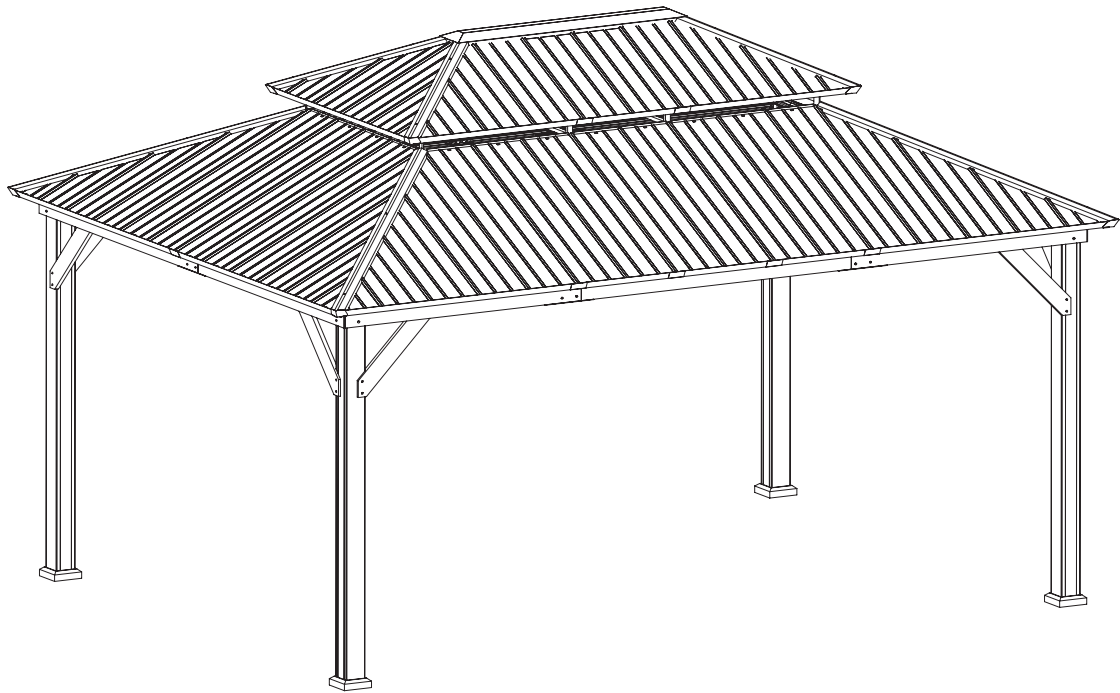


MODEL:IG10600013-1216



OWNER'S MANUAL

Rosewood 12' x 16' Cedar Framed Hard Top Gazebo

TABLE OF CONTENTS

ASSEMBLY GUIDE.....	02
USING YOUR PRODUCT.....	05

November 26, 2024

QUESTIONS?



E-mail: support@modernshade.org



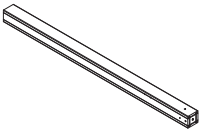
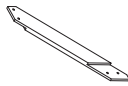
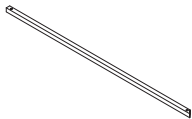

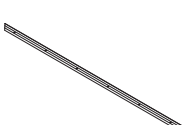
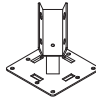
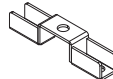
Toll Free: 1-888-666-3070

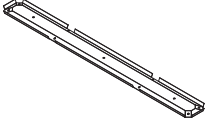
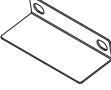
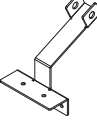
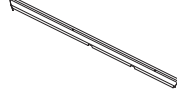
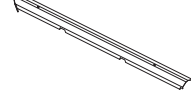

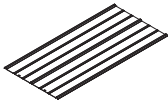



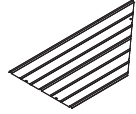
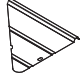


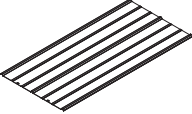





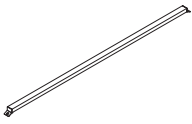






Mon-Fri: 9am--5pm PST.

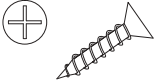

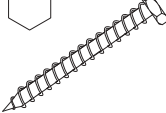
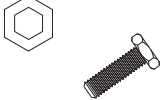
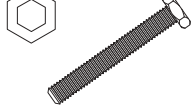
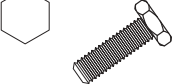
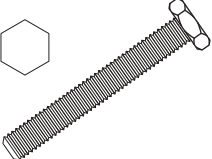

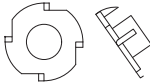




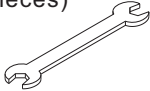
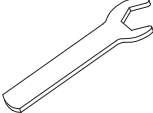

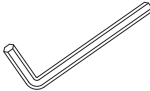
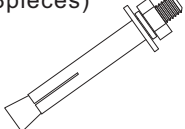
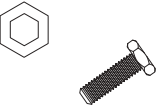
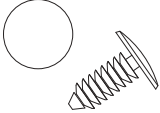
ASSEMBLY GUIDE

PARTS LIST

A1 Post 1 (4pieces) 	B Foot Base (4pieces) 	C Foot Cover (4pieces) 	D7 Cross Beam 7 (2pieces) 	D8 Cross Beam 8 (2pieces) 	D11 Cross Beam 11 (4pieces) 
P0010000701	P0030000301	P0020000301	P0040002101	P0040002201	P0040002701
D12 Cross Beam 12 (2pieces) 	E1 Support Bracket 1 (4pieces) 	E2 Support Bracket 2 (4pieces) 	F1 Roof Rib 1 (4pieces) 	F3 Roof Rib 3 (4pieces) 	G1 Middle Cross Beam 1 (6pieces) 
P0040002801	P0050000501	P0050000601	P0070000202	P0070000302	P0080000102
G2 Middle Cross Beam 2 (4pieces) 	H1 Roof Support 1 (4pieces) 	H2 Roof Support 2 (4pieces) 	H6 Roof Support 6 (8pieces) 	H8 Roof Support 8 (4pieces) 	H9 Roof Support 9 (2pieces) 
P0080000302	P0090000102	P0090000202	P0090000302	P0090000402	P0090000502
J1 Roof Upper Border 1 (2pieces) 	J2 Roof Upper Border 2 (2pieces) 	J3 Roof Upper Border 3 (2pieces) 	J4 Roof Upper Border 4 (2pieces) 	K1 Connector 1 (2pieces) 	K2 Connector 2 (2pieces) 
P0090000602	P0090000702	P0090000802	P0090001002	P0090001102	P0090001202
K3 Connector 3 (2pieces) 	L1 Roof Lower Border 1 (2pieces) 	L2 Roof Lower Border 2 (2pieces) 	L3 Roof Lower Border 3 (2pieces) 	L4 Roof Lower Border 4 (2pieces) 	L9 Roof Lower Border 9 (8 pieces) 
P0090001402	P0090001502	P0090001602	P0090001702	P0090001802	P0090001902
M1 Connector 1 (6pieces) 	M2 Connector 2 (4pieces) 	M3 Connector 3 (4pieces) 	M4 Connector 4 (28pieces) 	M5 Connector 5 (16pieces) 	M6 Connector 6 (6pieces) 
P0060001401	P0060001501	P0060001701	P0060000501	P0060000602	P0110000701

M8 Connector 8 (1piece) 	M9 Connector 9 (14pieces) 	M11 Connector 11 (2pieces) 	N1 Roof Rib Cover 1 (4pieces) 	N3 Roof Rib Cover 3 (4pieces) 	N4 Roof Rib Cover 4 (1piece) 
P0060000902	P0110000502	P0060005001	P0120000102	P0120000302	P0120000602
P6 Roof Plate 6 (8pieces) 	P8 Roof Plate 8 (4pieces) 	P9 Roof Plate 9 (4pieces) 	P10 Roof Plate 10 (4pieces) 	P11 Roof Plate 11 (4pieces) 	P12 Roof Plate 12 (4pieces) 
P0130000102	P0130000202	P0130000302	P0130000402	P0130000502	P0130000602
P13 Roof Plate 13 (4pieces) 	Q1 Roof Top Plate 1 (2pieces) 	Q4 Roof Top Plate 4 (2pieces) 	Q5 Roof Top Plate 5 (2pieces) 	Q6 Roof Top Plate 6 (2pieces) 	Q7 Roof Top Plate 7 (4pieces) 
P0130000702	P0130000802	P0130000902	P0130001102	P0130001202	P0130001302
Q8 Roof Top Plate 8 (4pieces) 	R Hook (1piece) 	S Middle Cross Beam Support (2pieces) 	T9 Mosquito Net Rod 9 (2pieces) 	T10 Mosquito Net Rod 10 (2pieces) 	T11 Mosquito Net Rod 11 (2pieces) 
P0130001402	P1000000100	P0050000402	P0100001601	P0100001701	P0100001801
T12 Mosquito Net Rod 12 (2pieces) 					
P0100001901					

HARDWARE PACK

AA Bolt M5*25 (132+6pieces) 	BB Bolt M8*35 (32+2pieces) 	CC Bolt M10*65 (8+1pieces) 	DD Bolt M6*20 (262+16pieces) 	EE Bolt M6*45 (18+2pieces) 	FF Bolt M8*30 (24+2pieces) 
H0008008098	H0008008099	H0008008100	H0008008036	H0008008016	H0008008139
GG Bolt M10*160 (8+1pieces) 	HH Anti-slip Screw Nut (8+1pieces) 	JJ Four-claw Screw Nut M8*8 (24+2pieces) 	KK M6 Flat washer (340+22pieces) 	LL M8 Flat washer (56+3pieces) 	MM M10 Flat washer (24+2pieces) 
H0008008140	H0008008126	H0008008127	H0008008056	H0008008057	H0008008058
NN M6 Sealant Washer (16+2pieces) 	PP Double Open End Wrench M6/M8 (2pieces) 	QQ Wrench M10 (2pieces) 	RR M6 Allen Key (2pieces) 	SS M8 Allen Key (2pieces) 	TT Concrete Anchor M6*60 (8pieces) 
H0008008060	H0008008062	H0008008128	H0008008073	H0008008129	H0008008095
UU Bolt M6*15 (60+3pieces) 	VV Plastic Clip (24+5pieces) 				
H0008008001	H0008008071				

IMPORTANT:

This instruction manual contains important information necessary for the proper assembly and safe use of the product.

Read and follow all warnings and instructions before assembling and using the product.

Follow all warnings and instructions when using the product.

Keep this manual for future reference.

Installer/Assembler: leave these instructions with the consumer.

SAFETY ALERT KEY

DANGER

Indicates a hazardous situation that, if not avoided, will result in death or serious injury.

WARNING

Indicates a hazardous situation that, if not avoided, could result in death or serious injury.

CAUTION

Indicates a hazardous situation that, if not avoided, could result in minor or moderate injury.

NOTICE

Indicates information considered important, but not hazard-related (e.g.messages related to property damage).

ASSEMBLY INSTRUCTIONS

•Please carefully unpack each of the components and hardware. check the components against the parts list and make sure there are no missing parts. lay pieces on cardboard or a soft mat to help protect the pieces from scratches.

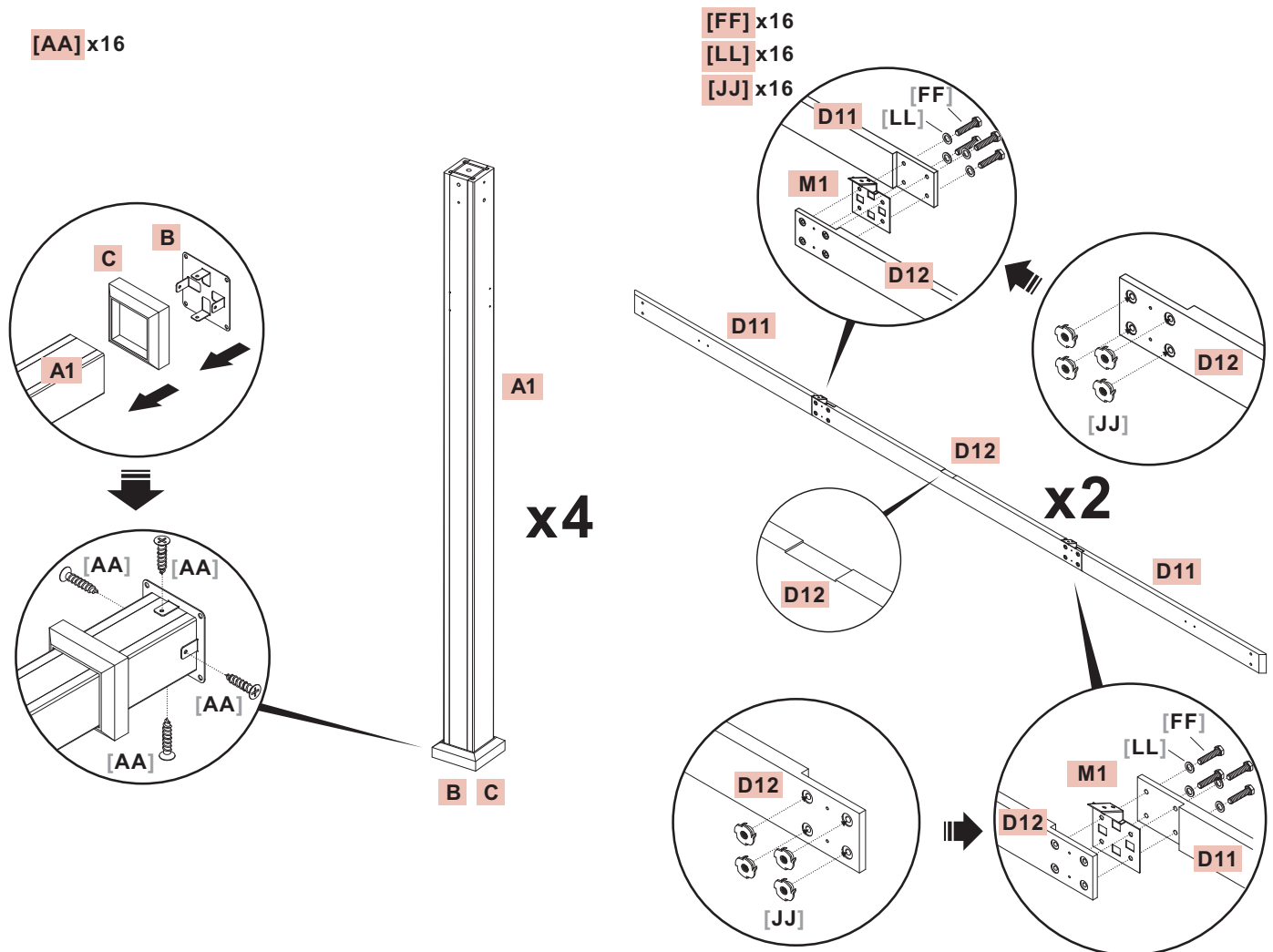
⚠ CAUTION

Watch for sharp edges when handling the pieces, wear gloves to avoid injury.

STEP 01# Slide foot base **B** and foot cover **C** onto post **A1**. Use four (4) **[AA]** bolts to attach foot base **B** to post **A1**. Repeat with the other three (3) posts **A1**.

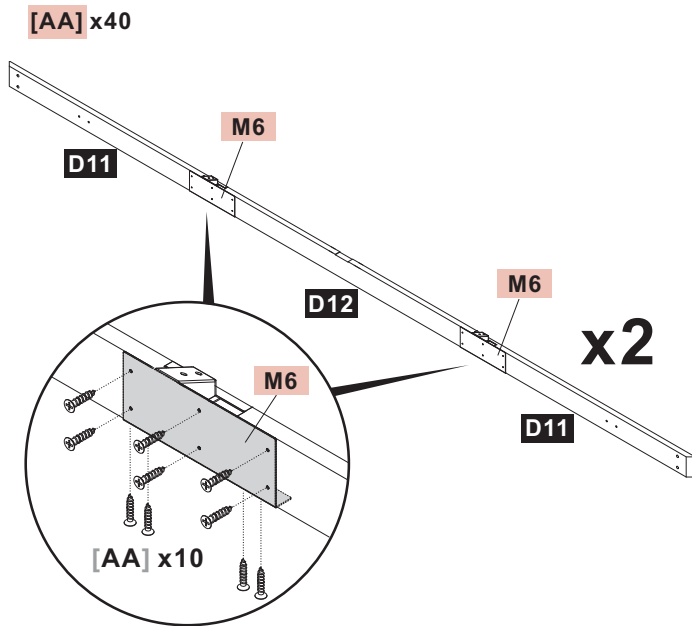
- For ease of assembly, it is recommended to have 3 or more people and allow enough time to completely finish the assembly. assembly can take 6-8 hours. a step-ladder is required for assembly (not included).
- Follow step by step instructions, and follow all safety warnings provided with your tools.
- DO NOT tighten screws until all the screws and washers are properly installed. tighten screws securely, do not over tighten.
- Gazebo should not be used in inclement weather and high winds.

STEP 02# Attach one (1) **M1** connector and one (1) **D11** cross beam to each end of a **D12** cross beam using four (4) four-claw screws **[JJ]**, **M8** flat washers **[LL]**, and bolts **[FF]** each. Repeat to make a second assembly.



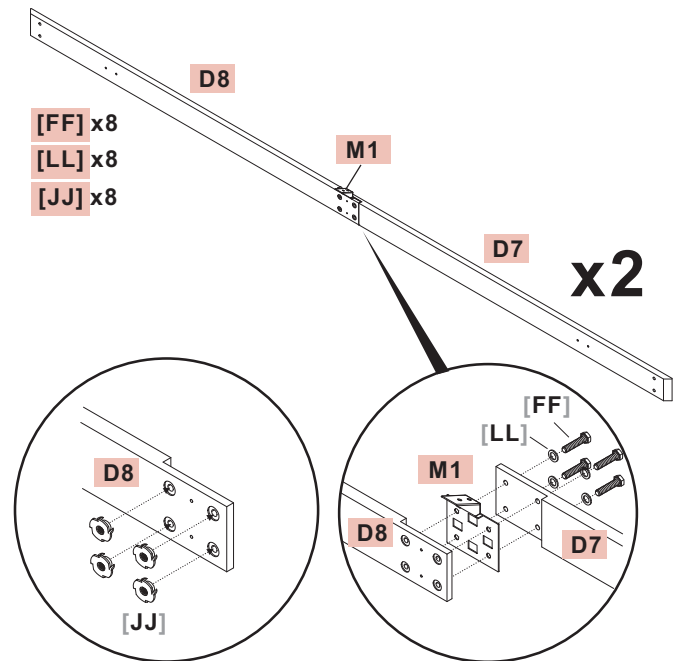
STEP 03#

Cover the connections between the cross beams with **M6** connectors and secure with (10) **[AA]** bolts each. Repeat to make a second assembly.



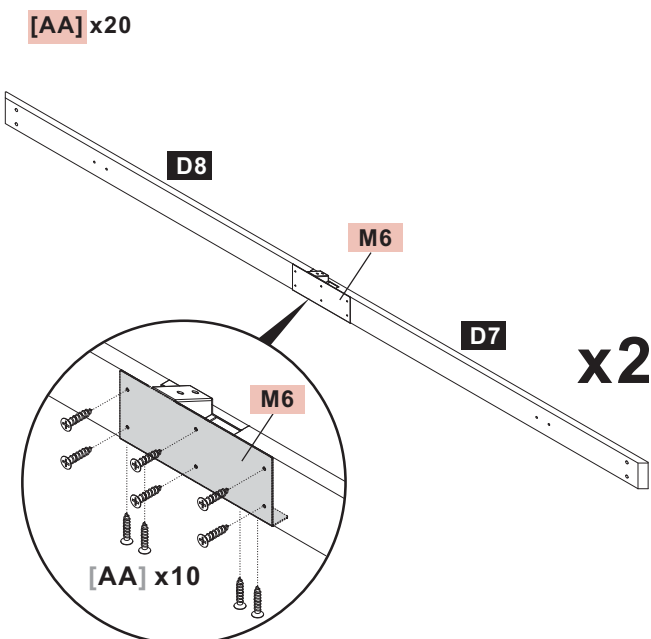
STEP 04#

Attach four (4) **[JJ]** screw nuts to cross beam **D8**. Use four (4) **[FF]** bolts and four (4) **[LL]** flat washers to attach cross beam **D7** to connector **M1** and cross beam **D8**. Repeat with the other assembly.



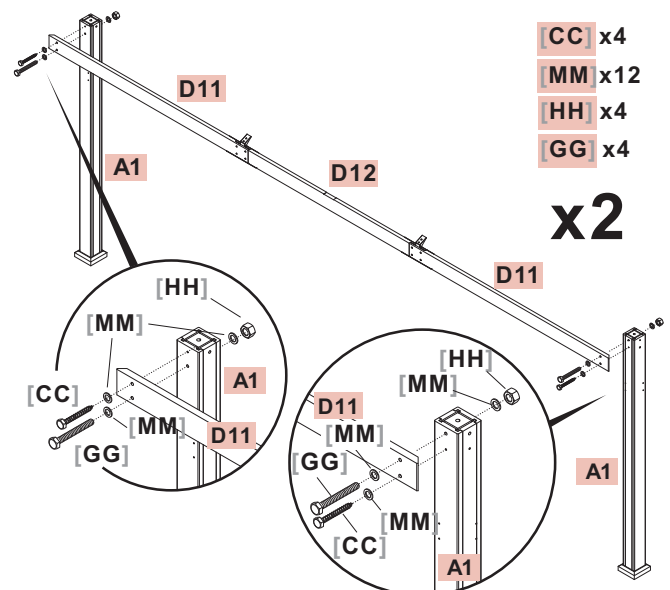
STEP 05#

Use ten (10) **[AA]** bolts to attach one (1) connector **M6** to cross beam assembly **D7 D8**



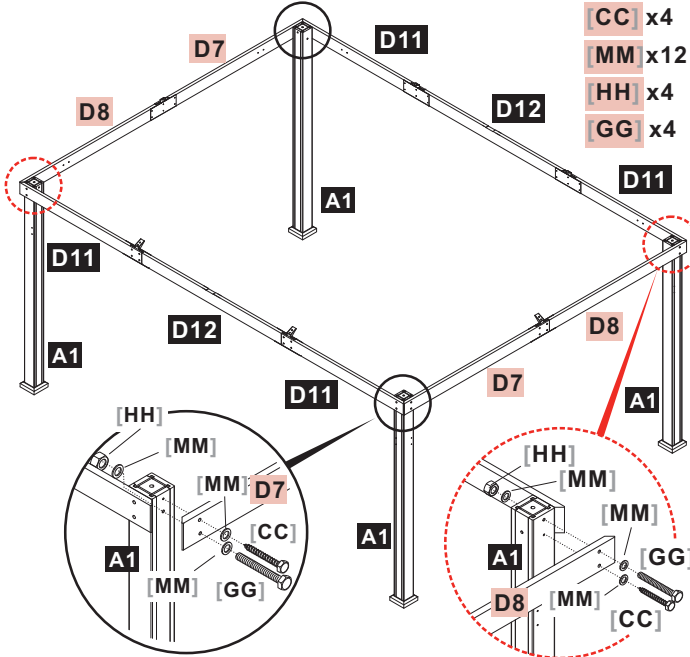
STEP 06#

Attach the cross beam assembly **D11 D12** to left **A1** post using one (1) **[CC]** bolt and **[MM]** washer in the top hole, and one (1) **[GG]** bolt, two (2) **[MM]** washers, and one (1) **[HH]** nut in the bottom hole. Attach the cross beam assembly to right **A1** post using one (1) **[GG]** bolt, two (2) **[MM]** washers, and one (1) **[HH]** nut in the top hole, and one (1) **[CC]** bolt and **[MM]** washer in the bottom hole. Repeat to make a second assembly.



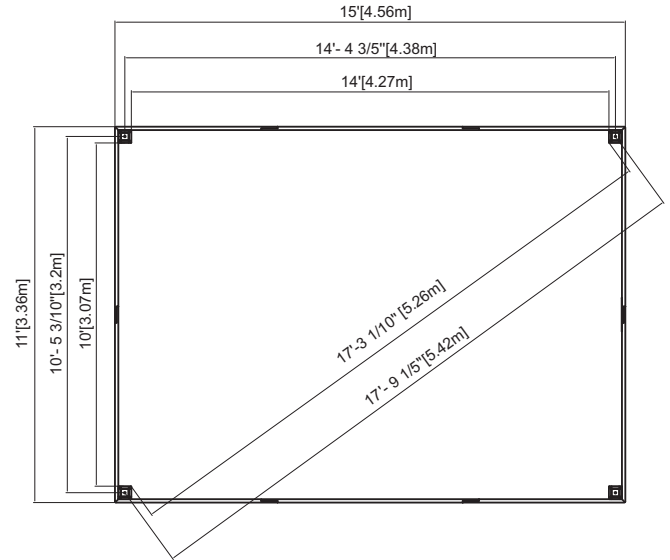
STEP 07#

Attach the cross beam assembly **D7 D8** to left **A1** post using one (1) **[CC]** bolt and **[MM]** washer in the top hole, and one (1) **[GG]** bolt, two (2) **[MM]** washers, and one (1) **[HH]** nut in the bottom hole. Attach the cross beam assembly to right **A1** post using one (1) **[GG]** bolt, two (2) **[MM]** washers, and one (1) **[HH]** nut in the top hole, and one (1) **[CC]** bolt and **[MM]** washer in the bottom hole. Repeat to make a second assembly.



STEP 08#

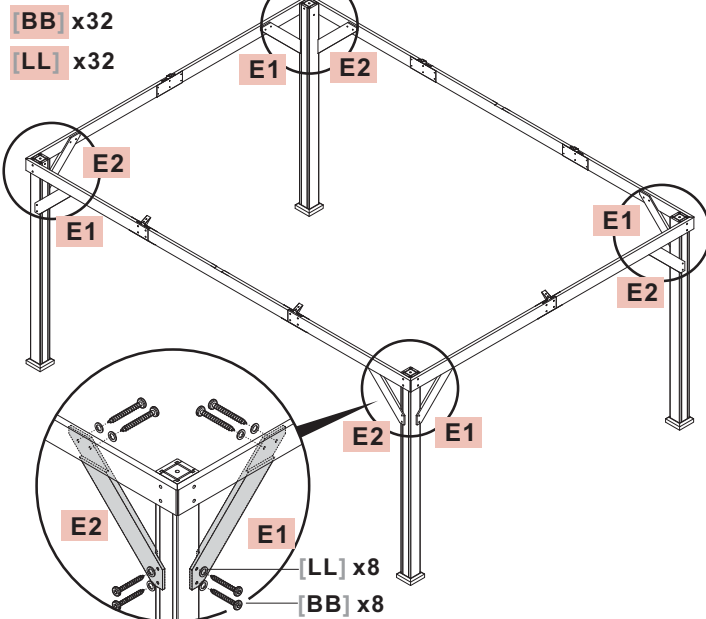
CRITICAL: SQUARE UNIT BEFORE PROCEEDING TO NEXT STEPS. ONCE SQUARE, TIGHTEN ALL HARDWARE.



STEP 09#

Use four (4) **[BB]** bolts and four (4) **[LL]** flat washers to attach one (1) support bracket **E1** to cross beam and post on left corner of each side. Repeat with the other three (3) support brackets **E1**.

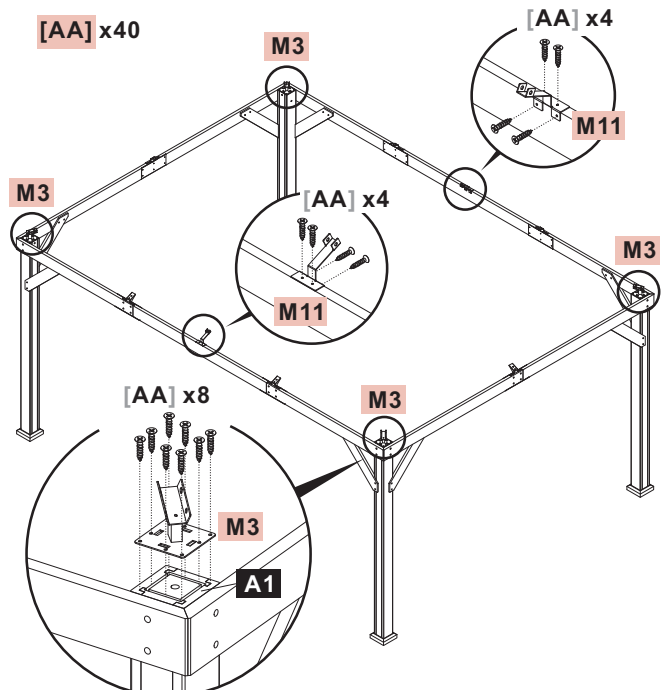
Use four (4) **[BB]** bolts and four (4) **[LL]** flat washers to attach one (1) support bracket **E2** to cross beam and post on right corner of each side. Repeat with the other three (3) support brackets **E2**.



STEP 10#

Use four (4) **[AA]** bolts to attach one (1) connector **M11** to the middle of cross beam **D12**. Repeat with the other connector **M11**.

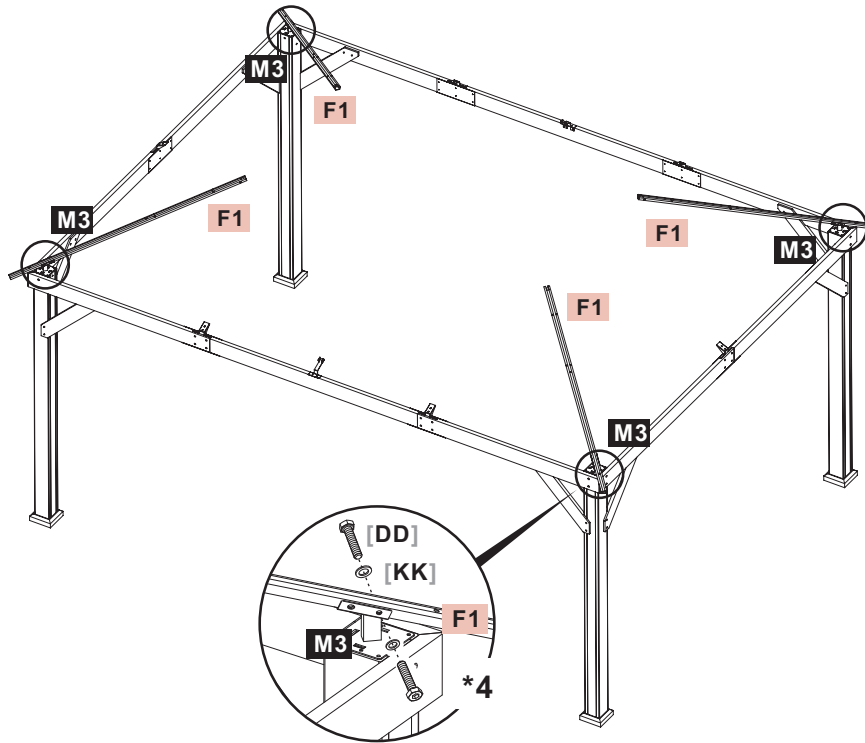
Use eight (8) **[AA]** bolts to attach one (1) connector **M3** to each post. Repeat with the other three (3) connector **M3**.



STEP 11#

Use two (2) [DD] bolts and two (2) [KK] flat washers to attach one (1) roof rib **F1** to connector **M3**. Repeat with the other three (3) roof ribs **F1**.

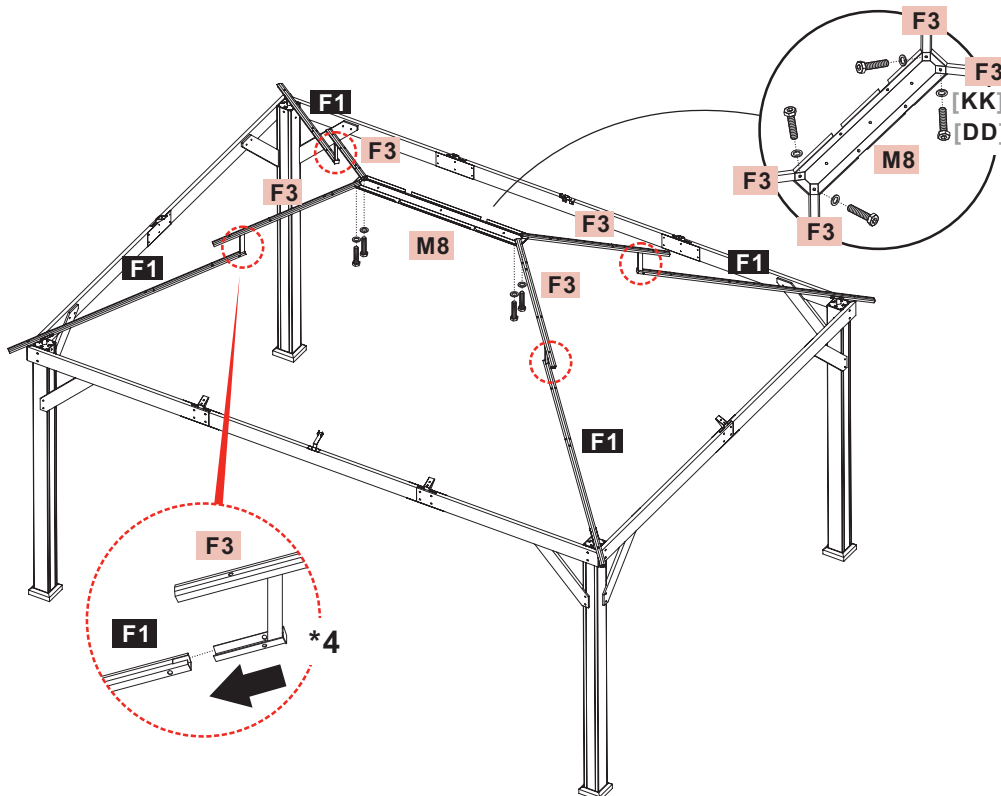
[KK] x8
[DD] x8



STEP 12#

Slide roof rib **F3** into **F1**. Use four (4) [DD] bolts and four (4) [KK] flat washers to attach connector **M8** to roof ribs **F3**.

[KK] x4
[DD] x4

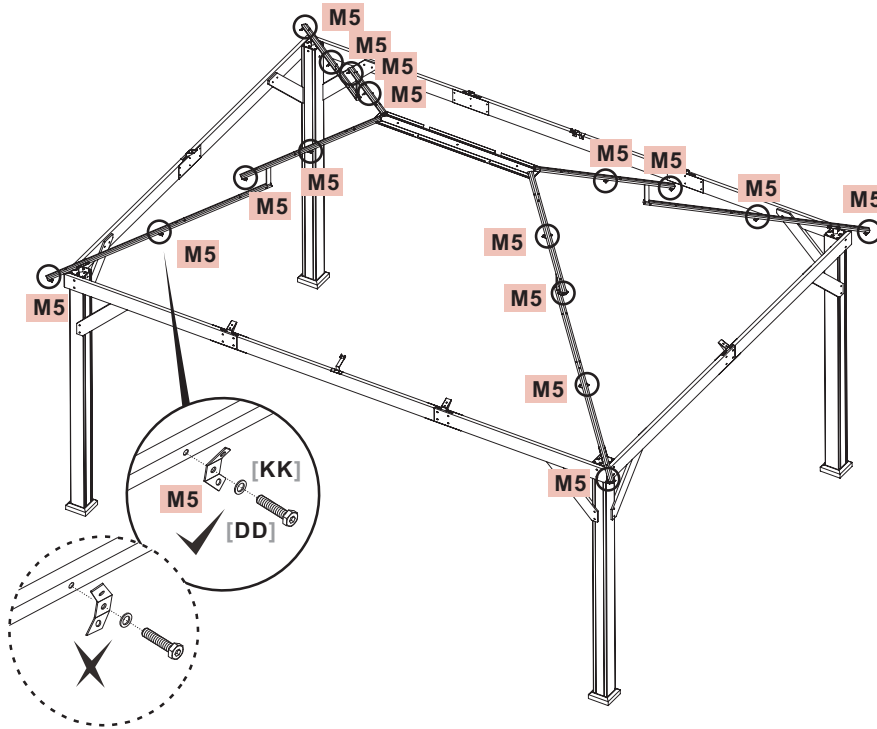


STEP 13#

Use one (1) [DD] bolt and one (1) [KK] flat washer to attach one (1) connector M5 to roof rib F1 F3. Repeat with the other fifteen (15) connector M5.

[KK] x16

[DD] x16

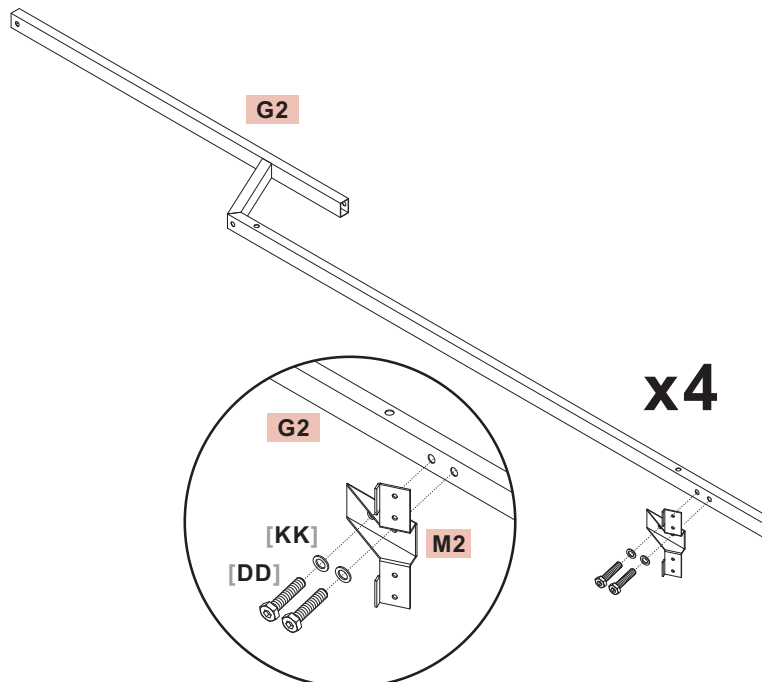


STEP 14#

Use two (2) [DD] bolts and two (2) [KK] flat washers to attach one (1) connector M2 to middle cross beam G2. Repeat with the other three (3) M2 and G2.

[KK] x8

[DD] x8

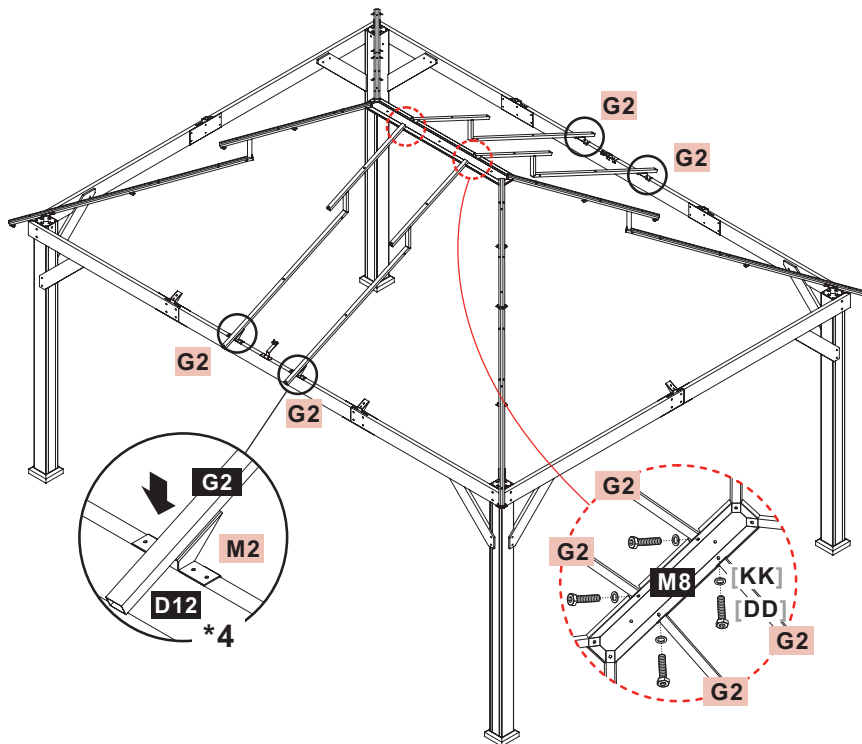


STEP 15#

Attach one end of middle cross beam **G2** to connector **M2**. Use one (1) **[DD]** bolt and one (1) **[KK]** flat washer to attach the other end of **G2** to connector **M8** on the top. Repeat with the other three (3) middle cross beam **G2**.

[KK] x4

[DD] x4

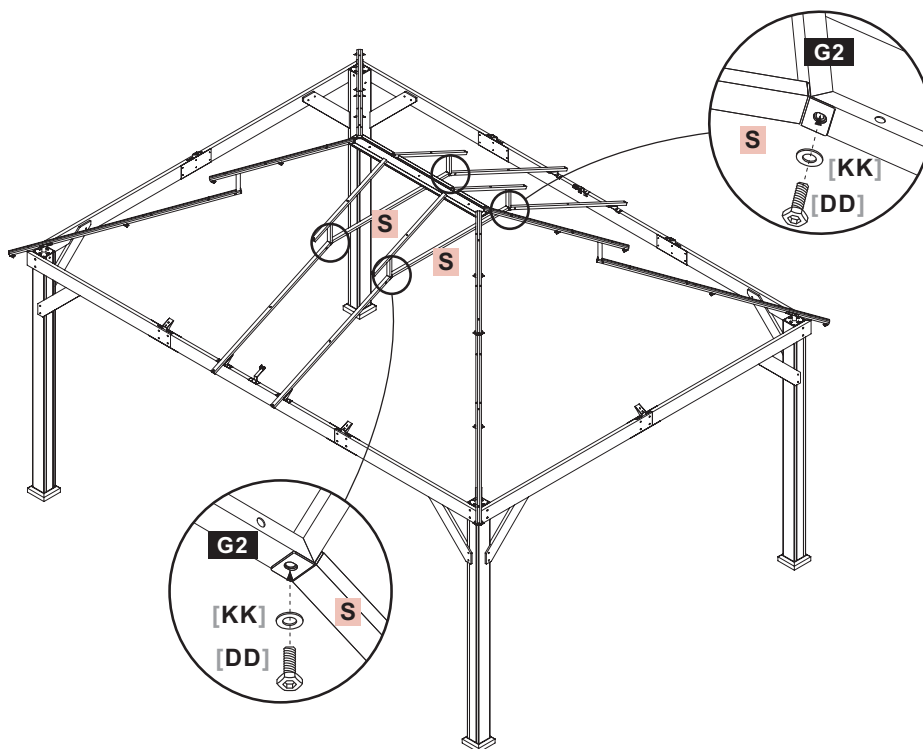


STEP 16#

Use two (2) **[DD]** bolts and two (2) **[KK]** flat washers to attach one (1) middle cross beam support **S** to middle cross beam **G2**. Repeat with the other **S**.

[KK] x4

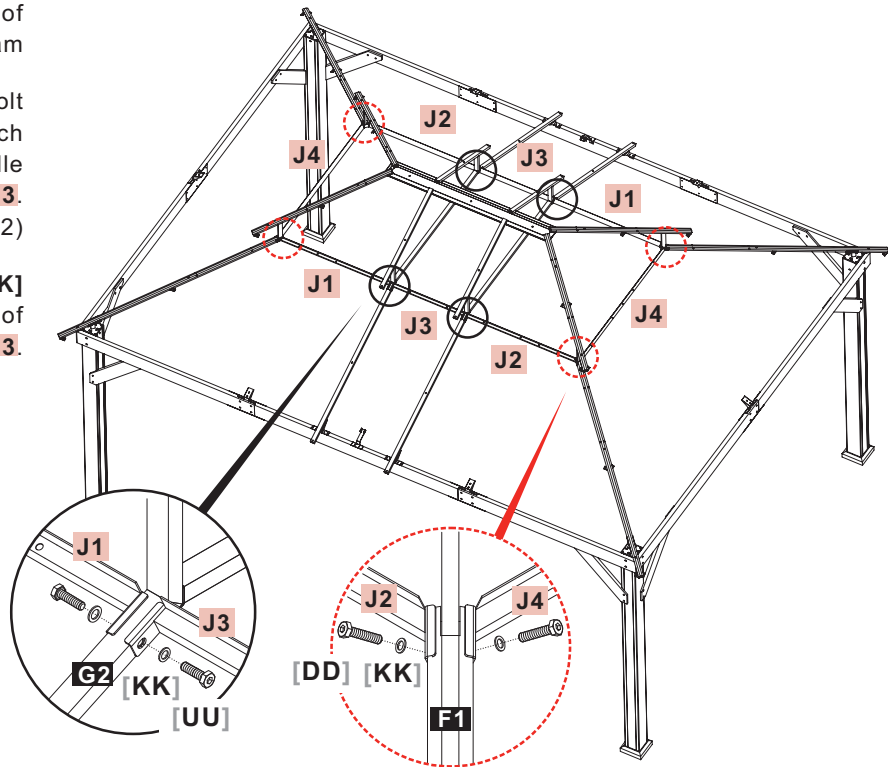
[DD] x4



STEP 17#

Use two (2) [UU] bolts and two (2) [KK] flat washers to attach one (1) roof upper border J3 to middle cross beam G2. Repeat with the other J3.
 Use one (1) [UU] bolt, one (1) [DD] bolt and two (2) [KK] flat washers to attach one (1) roof upper border J1 to middle cross beam G2 and roof rib F1 and F3. Repeat with the other J1 and two (2) J2.
 Use two (2) [DD] bolts and two (2) [KK] flat washers to attach one (1) roof upper border J4 to roof rib F1 and F3. Repeat with the other J4.

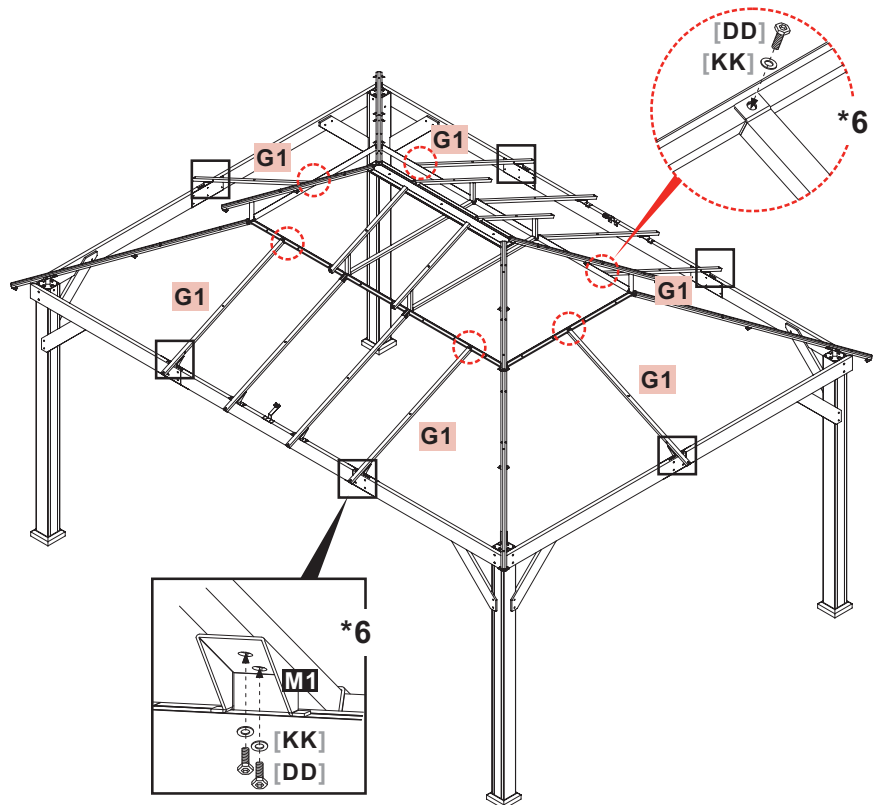
- [KK] x16
- [DD] x8
- [UU] x8



STEP 18#

Use two (2) [DD] bolts and two (2) [KK] flat washers to attach one end of middle cross beam G1 to connector M1. Use one (1) [DD] bolt and one (1) [KK] flat washer to attach the other end of G1 to roof upper border J1/J2/J4. Repeat with the other five (5) G1.

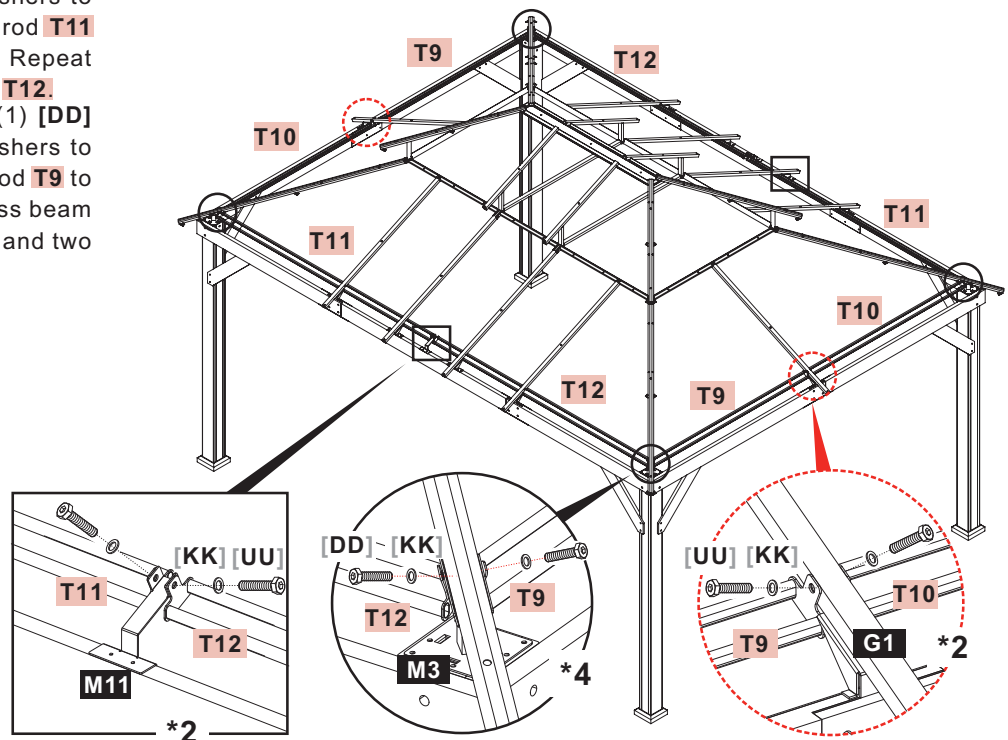
- [KK] x18
- [DD] x18



STEP 19#

Use one (1) [UU] bolt, one (1) [DD] bolt and two (2) [KK] flat washers to attach one (1) mosquito net rod **T11** to connector **M11** and **M3**. Repeat with the other **T11** and two (2) **T12**. Use one (1) [UU] bolt, one (1) [DD] bolt and two (2) [KK] flat washers to attach one (1) mosquito net rod **T9** to connector **M3** and middle cross beam **G1**. Repeat with the other **T9** and two (2) **T10**.

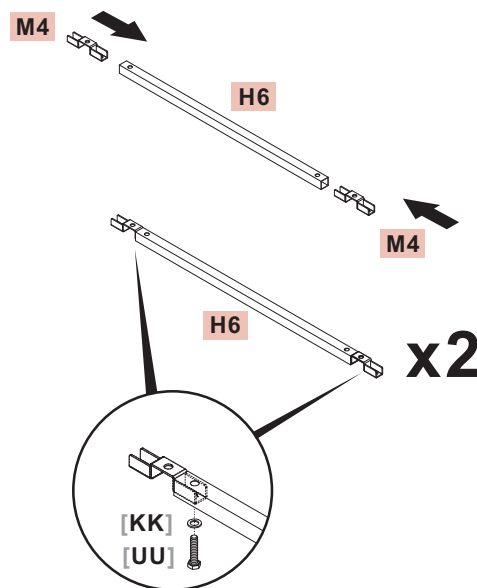
- [KK] x16
- [DD] x8
- [UU] x8



STEP 20#

Slide connector **M4** into roof support **H6** as shown. Use one (1) [UU] bolt and one (1) [KK] flat washer to attach two (2) connector **M4** to roof support **H6**. Repeat with the other assembly.

- [UU] x4
- [KK] x4

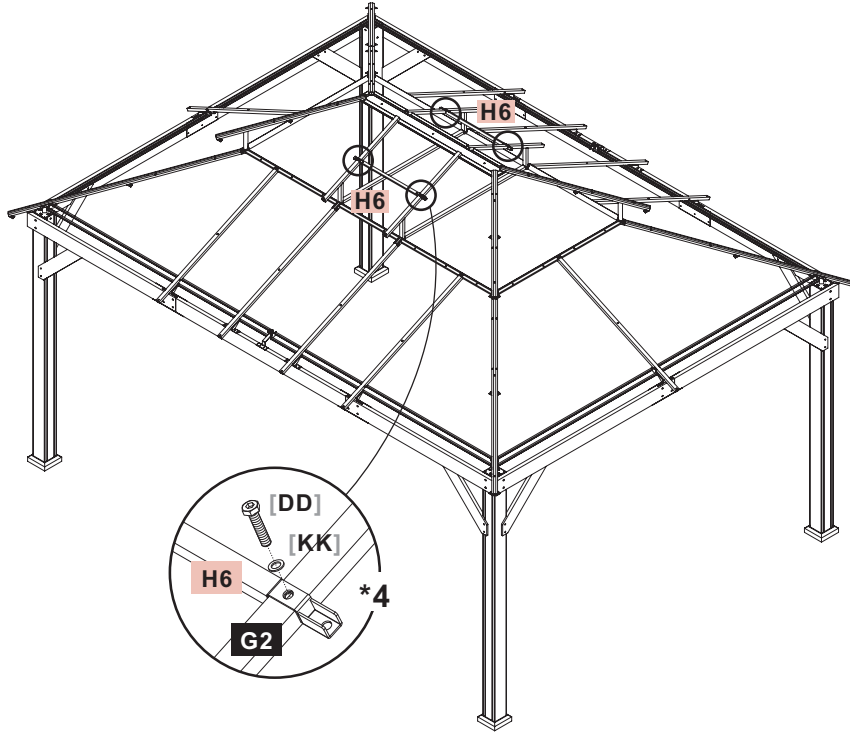


STEP 21#

Use two (2) [DD] bolts and two (2) [KK] flat washers to attach the roof support assemblies on the long sides of the gazebo.

[KK] x4

[DD] x4

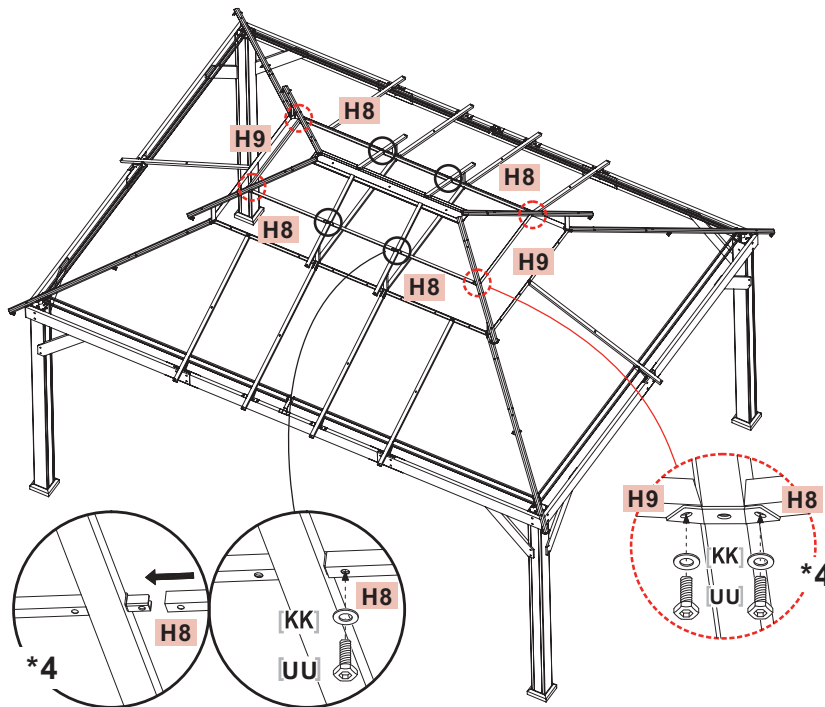


STEP 22#

Slide roof support H8 onto middle cross beam G2. Use two (2) [UU] bolts and two (2) [KK] flat washers to attach one (1) roof support H8 to middle cross beam G2 and roof rib F3. Repeat with the other three (3) H8. Use two (2) [UU] bolts and two (2) [KK] flat washers to attach one (1) roof support H9 to roof rib F3. Repeat with the other H9.

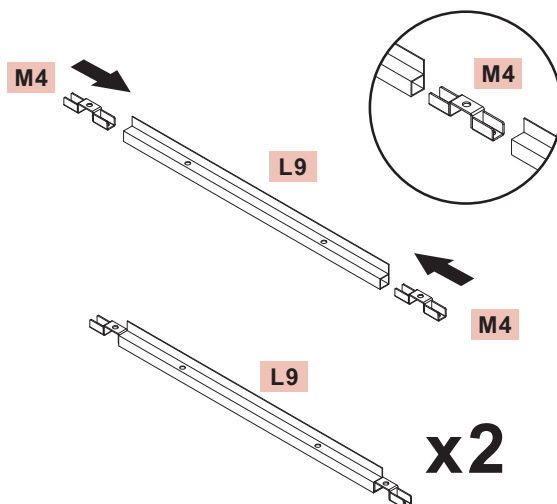
[KK] x12

[UU] x12



STEP 23#

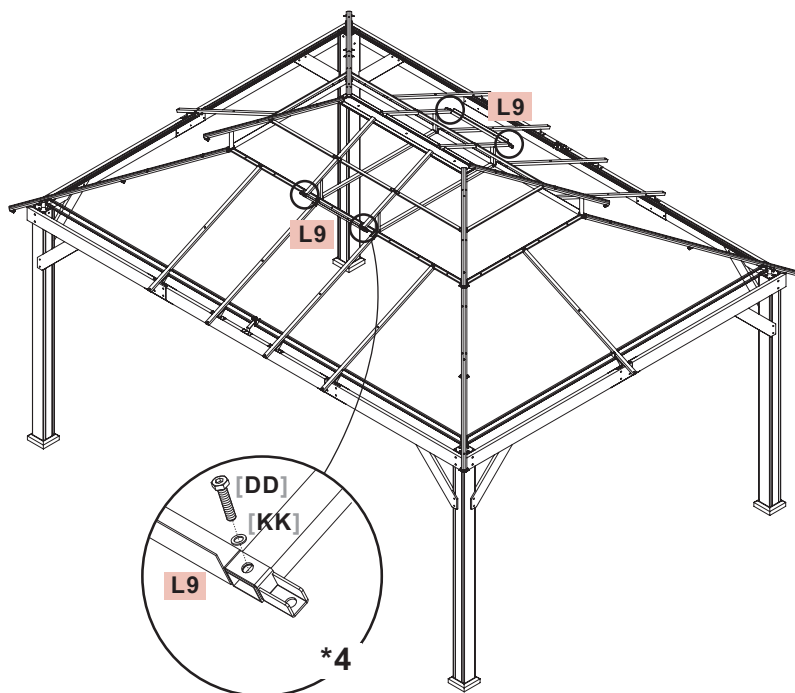
Slide connector **M4** into roof lower border **L9** as shown. Repeat with the other assembly.



STEP 24#

Use two (2) **[DD]** bolts and two (2) **[KK]** flat washers to attach the roof lower border assemblies on the long sides of the gazebo.

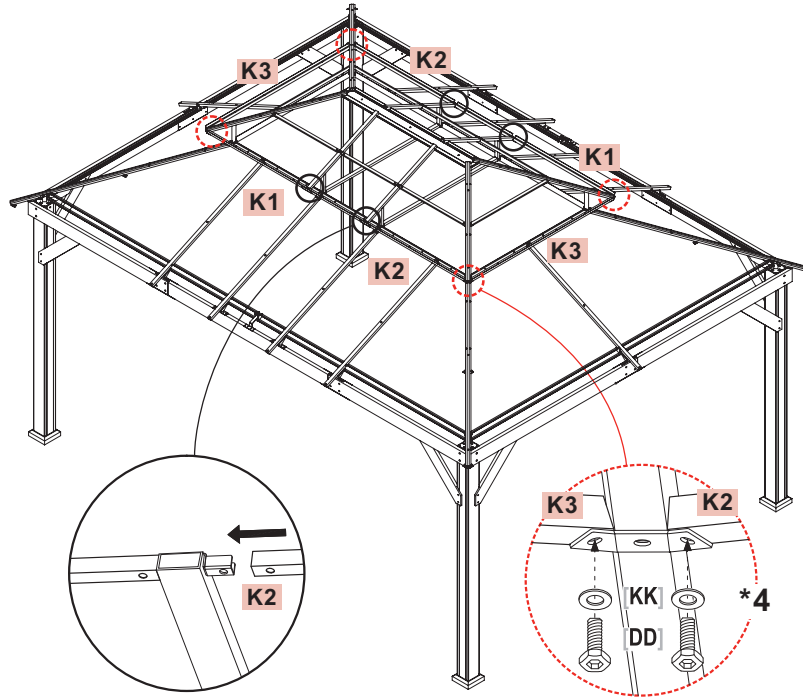
- [KK]** x4
- [DD]** x4



STEP 25#

Slide roof top border **K2** to middle cross beam **G2**. Use one (1) **[DD]** bolt and one (1) **[KK]** flat washer to attach one (1) roof top border **K2** to middle cross beam **G2** and roof rib **F3**. Repeat with the other **K2** and two (2) **K1**. Use two (2) **[DD]** bolts and two (2) **[KK]** flat washers to attach one (1) roof top border **K3** to roof rib **F3**. Repeat with the other **K3**.

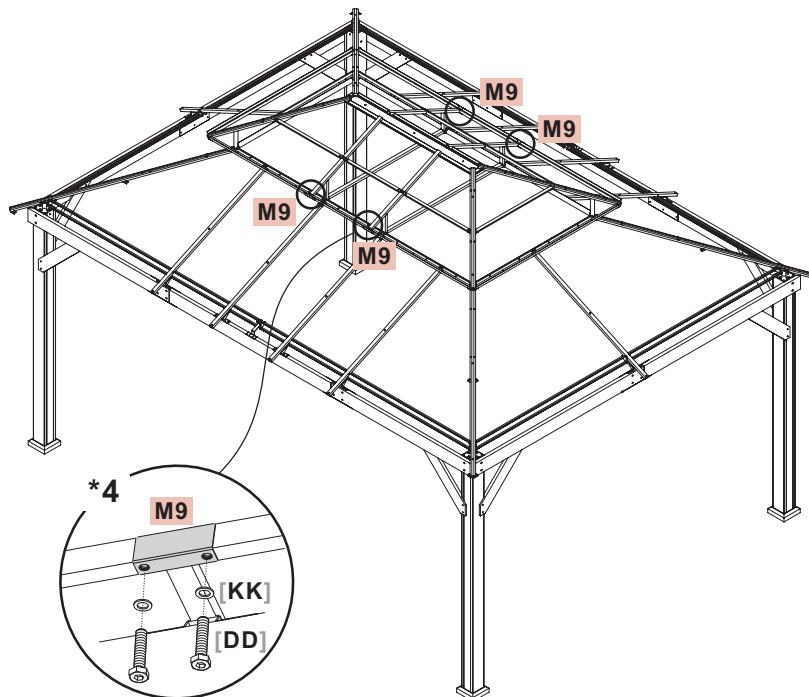
[KK] x8
[DD] x8



STEP 26#

Use two (2) **[DD]** bolts and two (2) **[KK]** flat washers to attach one (1) connector **M9** to roof top borders. Repeat with the other three (3) connector **M9**.

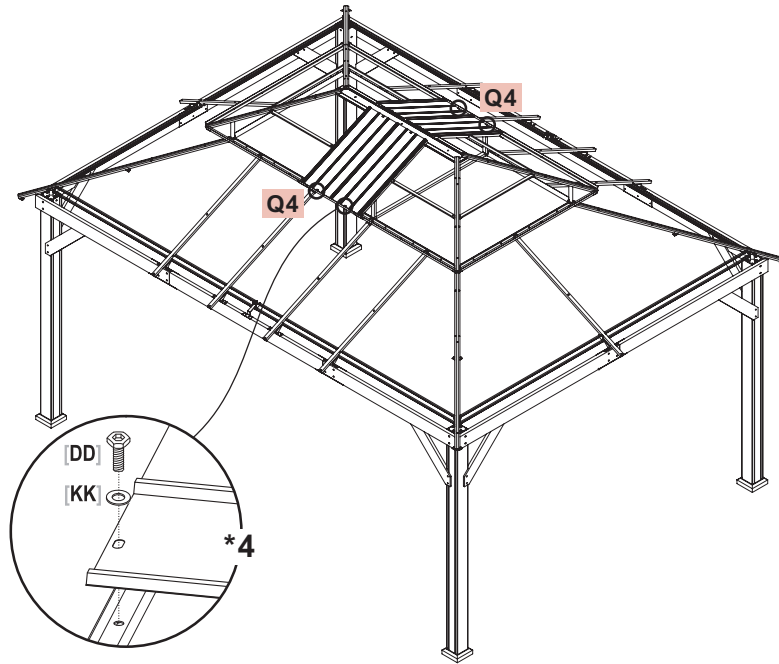
[KK] x8
[DD] x8



STEP 27#

DO NOT tighten the bolts completely until all the bolts and washers are properly installed.
 Overlap the edges of the adjacent roof plates together.
 Use one (1) [DD] bolt and one (1) [KK] flat washer to attach each hole of roof top plates Q4 to the frame.

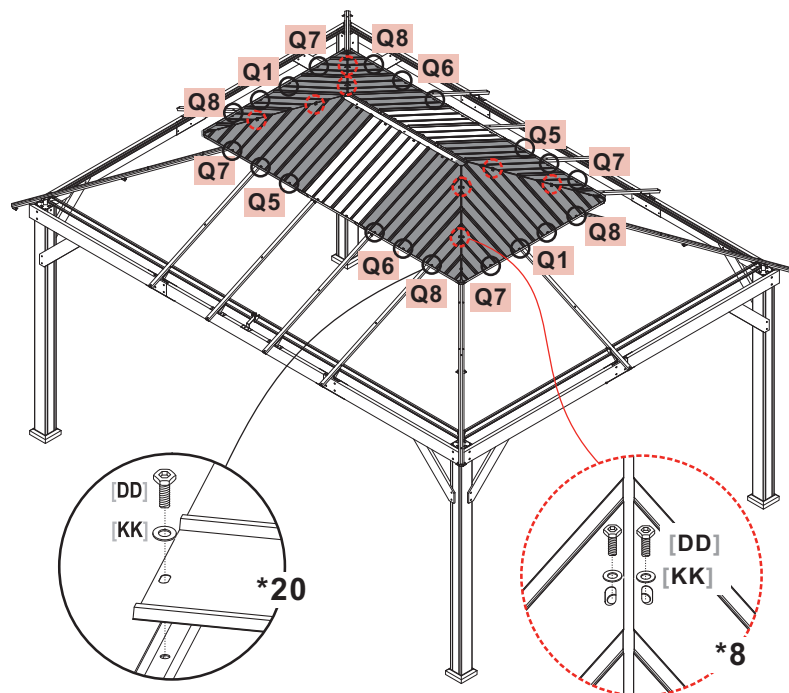
- [KK] x4
- [DD] x4



STEP 28#

Overlap the edges of the adjacent roof plates together.
 Use one (1) [DD] bolt and one (1) [KK] flat washer to attach each hole of roof top plates Q1, Q5, Q6, Q7, Q8 to the frame.

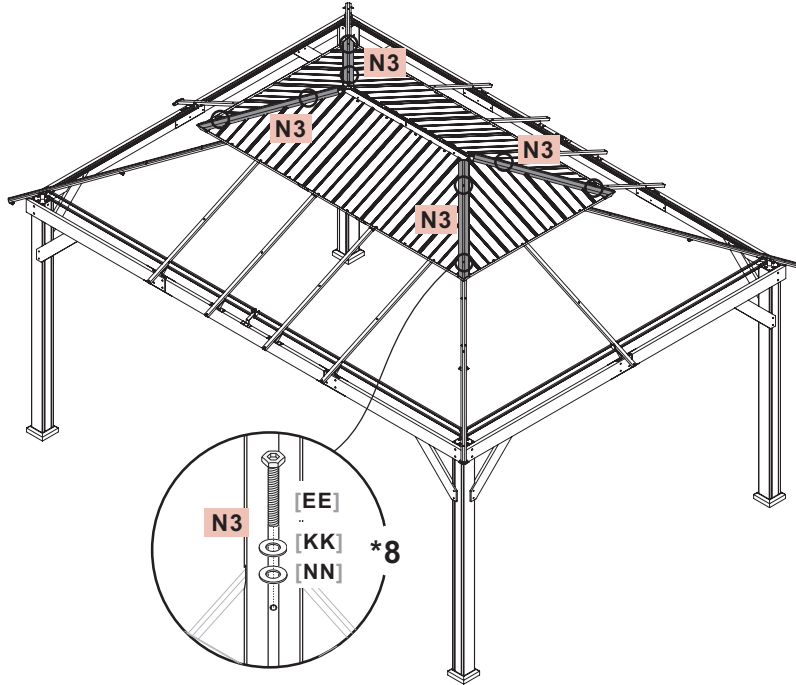
- [KK] x36
- [DD] x36



STEP 29#

Use two (2) [EE], two (2) [KK] flat washers and two (2) [NN] flat washers to attach one (1) roof rib cover **N3** to the top roof. Repeat with the other three (3) roof rib cover **N3**.

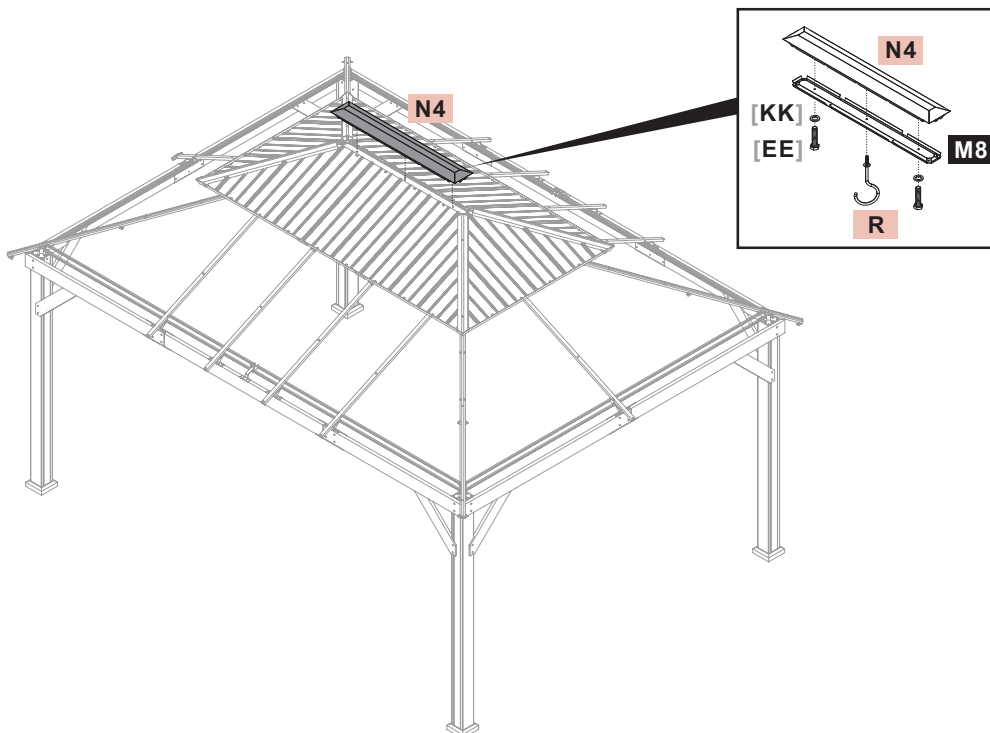
- [KK] x8
- [EE] x8
- [NN] x8



STEP 30#

Place the roof rib cover **N4** on top of the **M8** connector and secure from below using two (2) [KK] washers and [EE] bolts. Install the **R** hook as well.

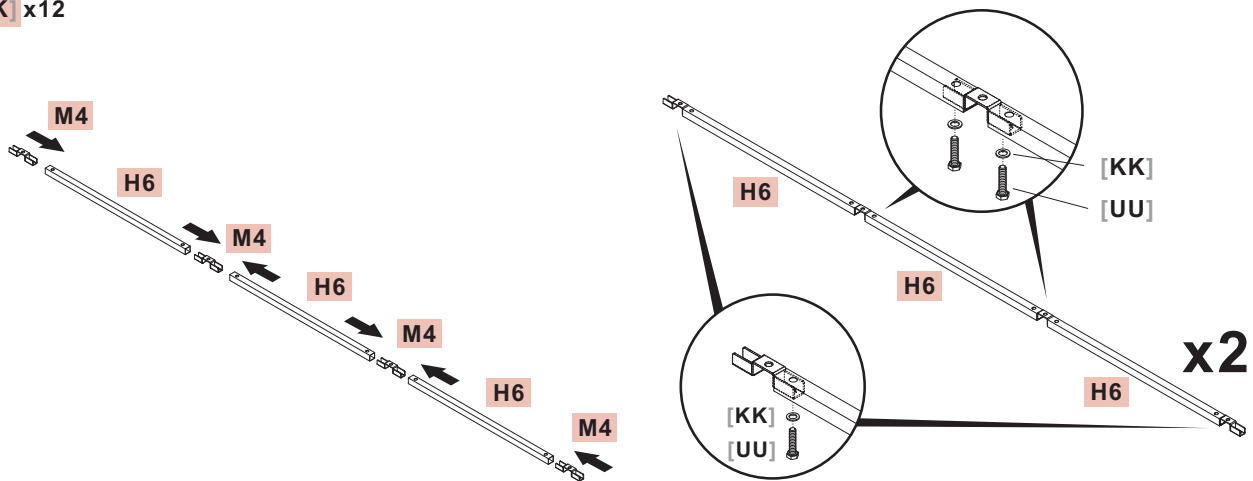
- [KK] x2
- [EE] x2



STEP 31#

Slide connector **M4** into roof support **H6** as shown. Use one (1) **[UU]** bolt and one (1) **[KK]** flat washer to attach each connector **M4** on each end of assembly to roof support **H6**. Use two (2) **[UU]** bolts and two (2) **[KK]** flat washers to attach each connector **M4** in the middle to roof support **H6**. Repeat with another assembly set.

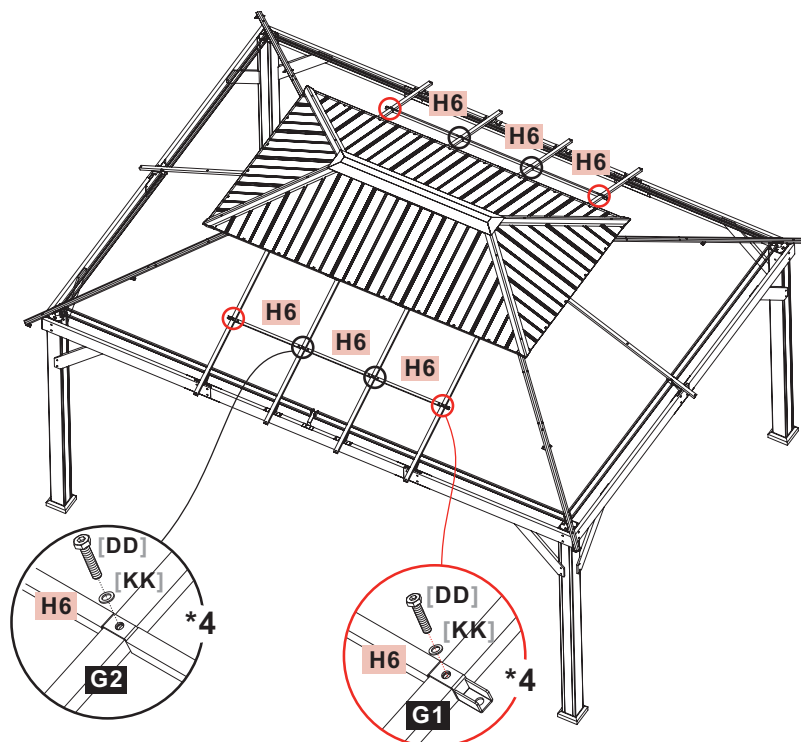
[UU] x12
[KK] x12



STEP 32#

Use four (4) **[DD]** bolts and four (4) **[KK]** flat washers to attach one (1) roof support assembly **H6 M4** to middle cross beam **G1** and **G2**.

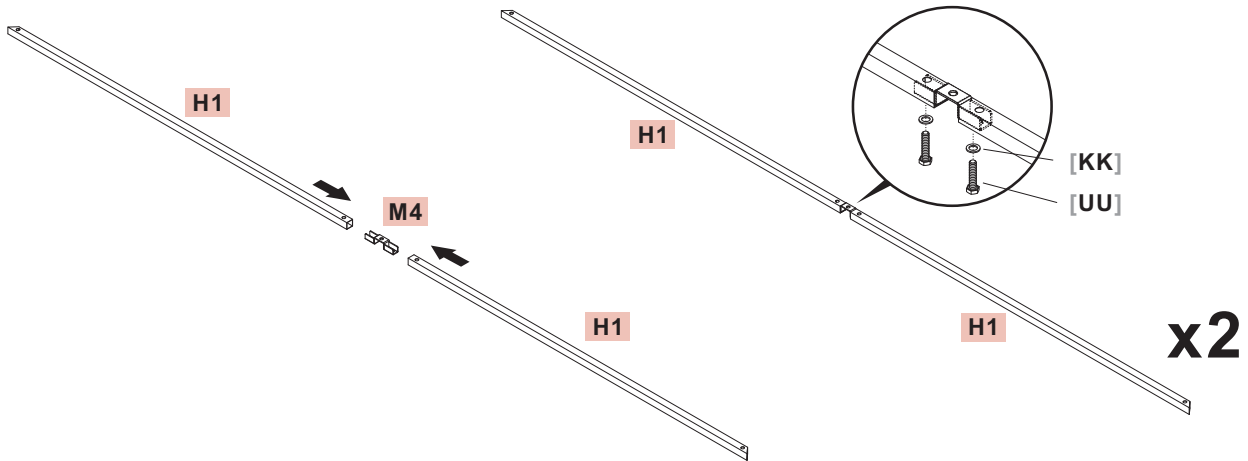
[DD] x8
[KK] x8



STEP 33#

Slide roof support **H1** onto connector **M4**. Use two (2) **[UU]** bolts and two (2) **[KK]** flat washers to attach connector **M4** to roof support **H1**.

- [KK]** x4
- [UU]** x4



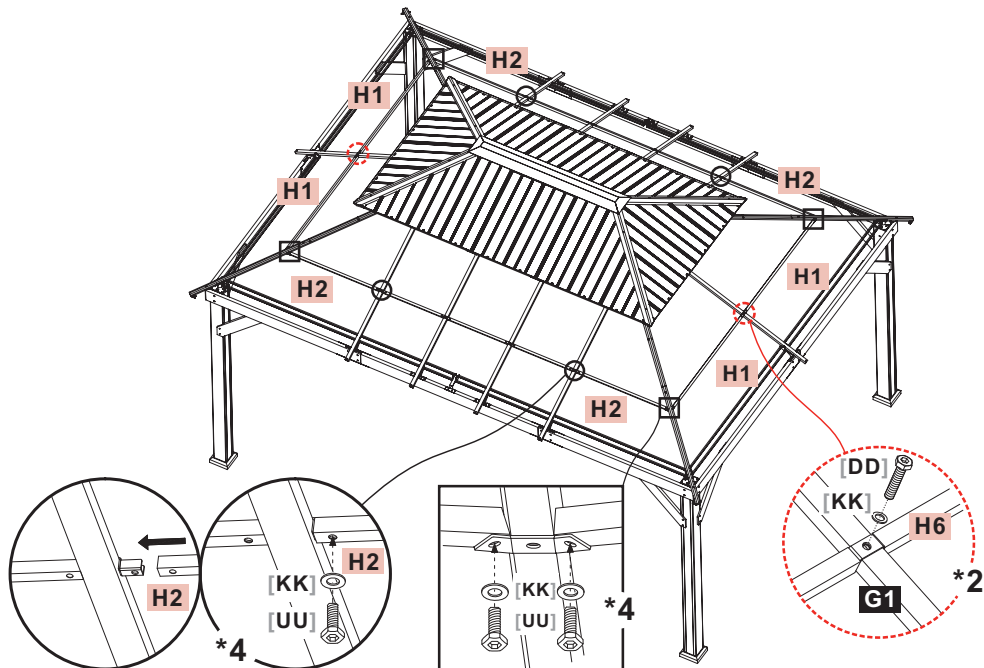
STEP 34#

Slide roof support **H2** onto middle cross beam **G1**. Use two (2) **[UU]** bolts and two (2) **[KK]** flat washers to attach one (1) **H2** to **G1** and roof rib **F1**. Repeat with the other three (3) **H2**.

Use one (1) **[UU]** bolt, one (1) **[DD]** bolt and two (2) **[KK]** flat washers to attach one (1) roof support **H1** to roof rib **F1** and middle cross beam **G1**.

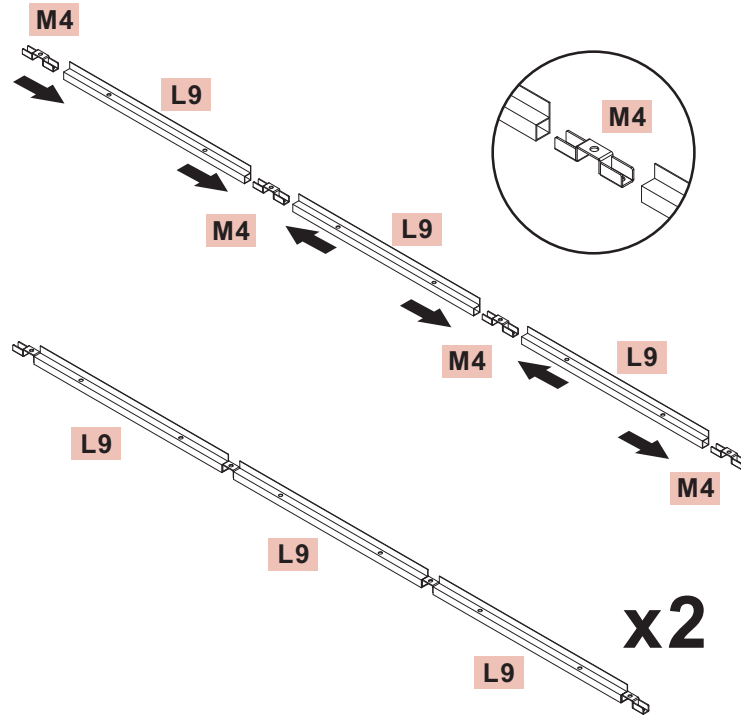
Repeat with the other three (3) **H1**.

- [KK]** x14
- [UU]** x12
- [DD]** x2



STEP 35#

Slide connector **M4** into roof lower border **L9** as shown. Repeat with the other assembly.



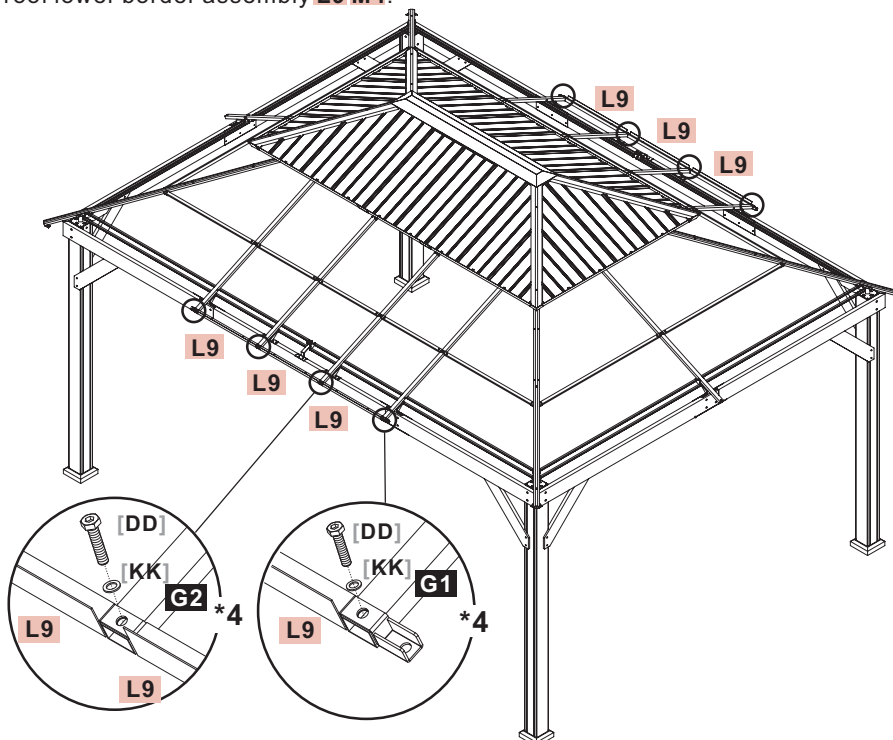
STEP 36#

Use four (4) **[DD]** bolts and four (4) **[KK]** flat washers to attach one (1) roof lower border assembly **L9 M4** to middle cross beam **G1** and **G2**.

Repeat with the other roof lower border assembly **L9 M4**.

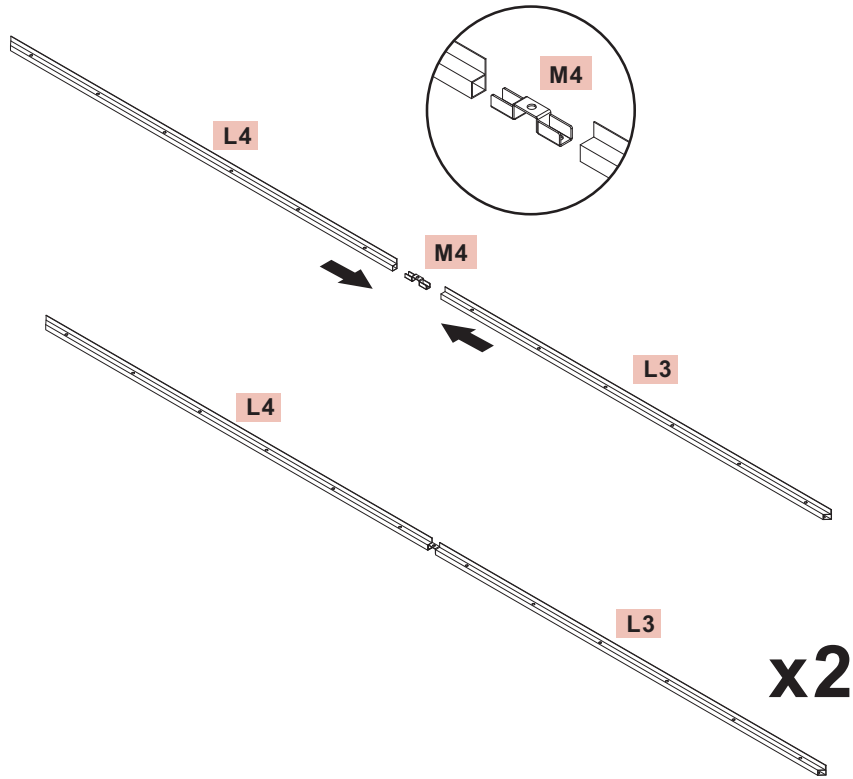
[KK] x8

[DD] x8



STEP 37#

Slide roof lower border **L3** and **L4** onto connector **M4** as shown. Repeat with the other assembly.



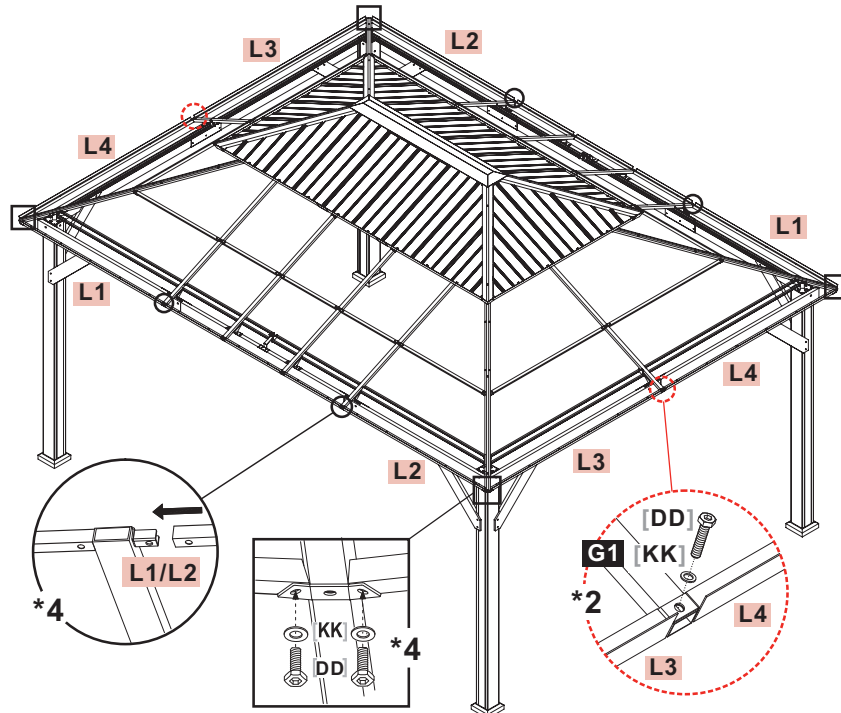
STEP 38#

Use two (2) **[DD]** bolts and two (2) **[KK]** flat washers to attach one (1) roof lower border **L2** to roof rib **F1** and middle cross beam **G1**. Repeat with the other **L2** and two (2) **L1**.

Use three (3) **[DD]** bolts and three (3) **[KK]** flat washers to attach one (1) roof lower border assembly **L3 L4** to roof rib **F1** and middle cross beam **G1**. Repeat with the other assembly **L3 L4**.

[KK] x10

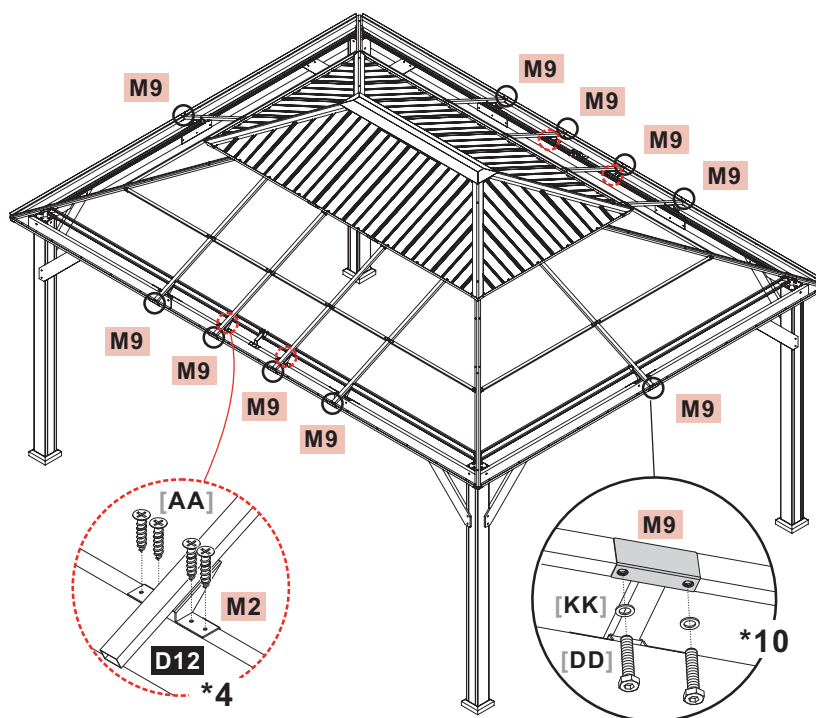
[DD] x10



STEP 39#

Use four (4) [AA] bolts to attach connector M2 to cross beam D12. Repeat with the other three connector M2.
 Use two (2) [DD] bolts and two (2) [KK] flat washers to attach one (1) connector M9 to roof lower borders. Repeat with the other nine (9) connectors M9.

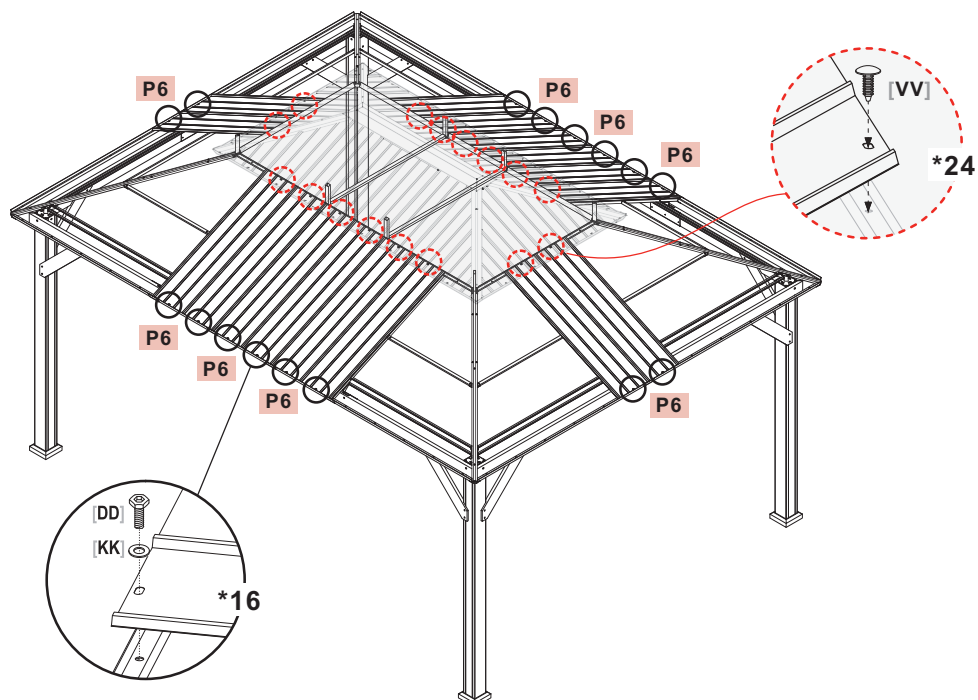
- [KK] x20
- [DD] x20
- [AA] x16



STEP 40#

DO NOT tighten the bolts completely until all the bolts and washers are properly installed.
 Overlap the edges of the adjacent roof plates together.
 Use one (1) [DD] bolt and one (1) [KK] flat washer to attach each hole of lower end of roof plates P6 to the frame.
 Use one (1) [VV] bolt to attach each hole of upper end of roof plates P6 to the frame.

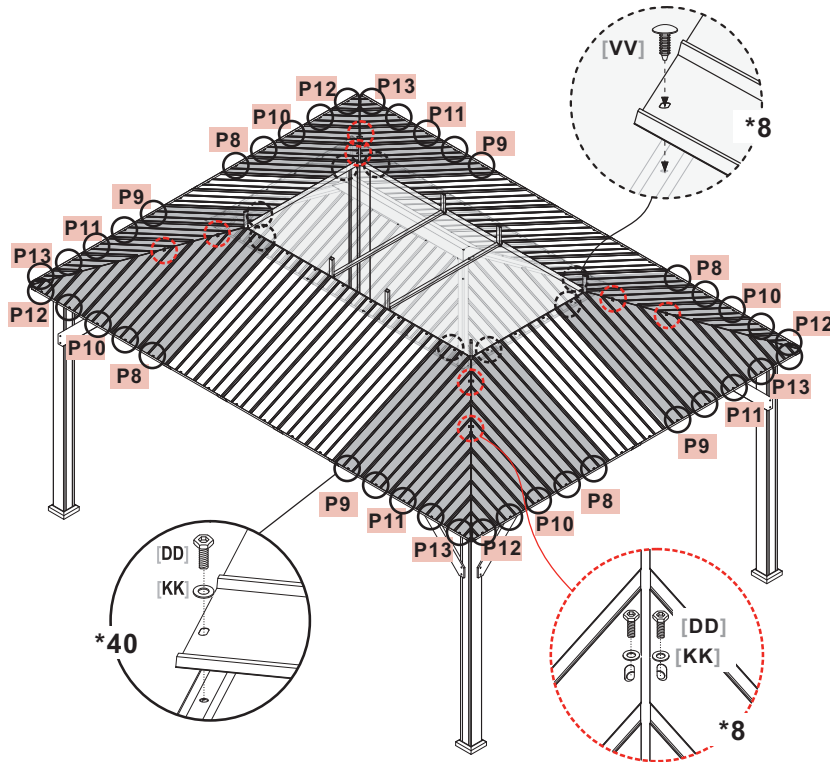
- [KK] x16
- [DD] x16
- [VV] x16



STEP 41#

Use one (1) [DD] bolt and one (1) [KK] flat washer to attach each hole of lower end of roof plates **P8, P9, P10, P11, P12, P13** to the frame.
 Use one (1) [VV] bolt to attach each hole of top end of roof plates **P8, P9, P10, P11, P12, P13** to the frame.

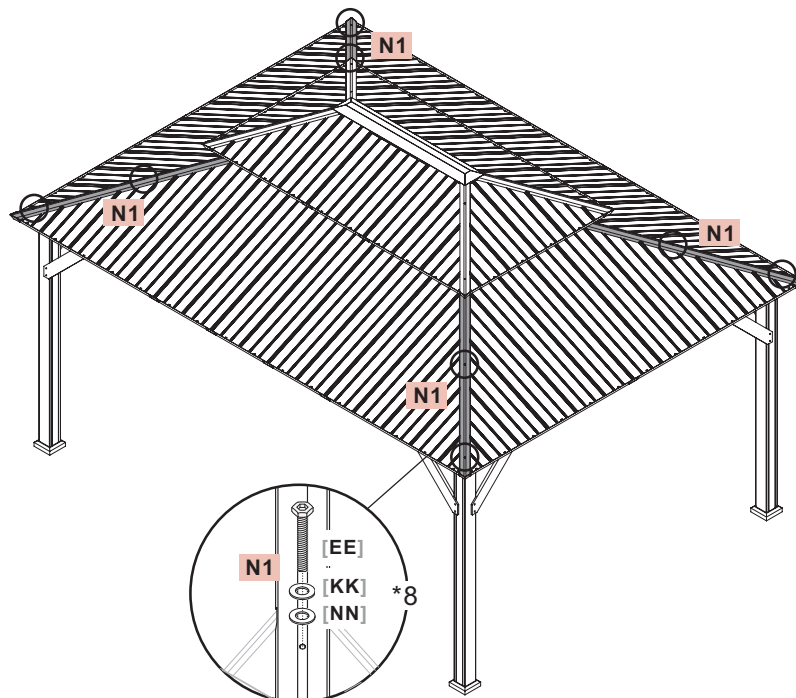
- [KK] x56
- [DD] x56
- [VV] x8



STEP 42#

Use two (2) [EE], two (2) [KK] flat washers and two (2) [NN] flat washers to attach one (1) roof rib cover **N1** to the top roof.
 Repeat with the other three (3) roof rib cover **N1**.

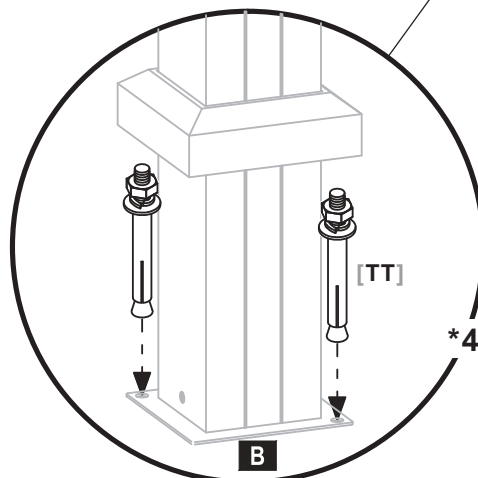
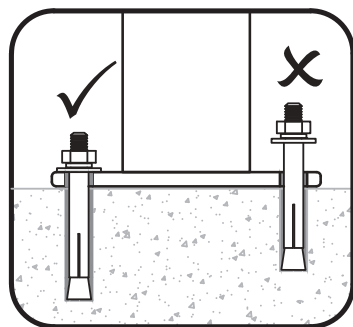
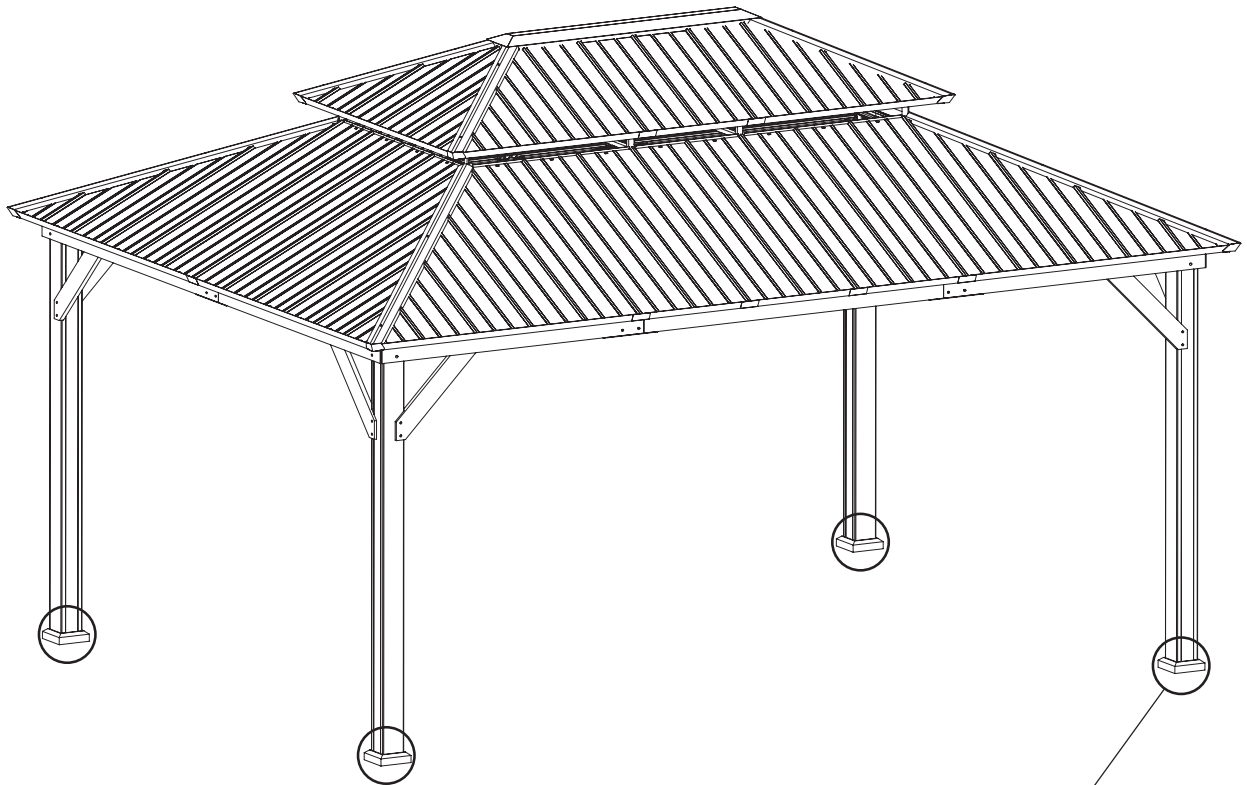
- [KK] x8
- [EE] x8
- [NN] x8



STEP 43#

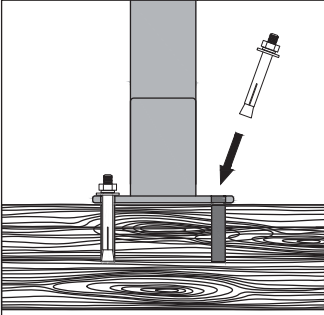
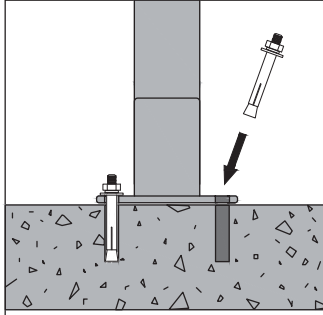


Use two (2) [TT] expansion bolts to anchor each post foot base **B**. please make sure the expansion bolts are fully anchored.

[TT] x8



Outdoor Structure anchoring guide for anchoring gazebo to wood or concrete: If step 43, on page 24 in the assembly instructions is not properly completed, this will void the warranty.

WARNING! If your gazebo is not properly anchored, damage could occur. It is highly recommended for maximum safety that you mount and secure to wood or concrete footers. This is far better and safer than using ground stakes. The following are some examples of how to mount the structure to wood or concrete surfaces. Refer to local building codes or consider consulting a licensed contractor for assistance in the anchoring of this product.

WOOD	CONCRETE
	
<p>Anchors should be drilled into joists or reinforced blocking (not only deck boards).</p>  <p>Recommended Hardware: Expansion Bolt</p>	<p>Pre-drill holes for appropriately sized concrete anchors.</p>  <p>Recommended Hardware: Expansion Bolt</p>

If digging for foundation, please double check for possibility of any underground utilities such as gas, telephone, cable or sprinkler lines. Refer to your local building and city codes, ordinances, neighborhood covenants, or height restrictions regarding this type of structure for guidance on acceptable installation requirements.

CAUTION
DO NOT climb or walk on roof for any reason.

- Our components are intended for privacy, decorative and ornamental use only.
- Product is NOT INTENDED for the following:
 - A safety barrier to prevent unsupervised access to pools, hot tubs, spas or ponds.
 - As load bearing support for a building, structure, heavy objects or swings.
 - Used in structures that trap wind, rain or snow that would create extra load on the product.
 - Accumulated snow must be removed from roof.
 - DO NOT climb or walk on roof for any reason.

LIMITED WARRANTY

We warrants this product against defects in materials and workmanship for a period of one (1) year from the original date of purchase. To the extent any such defects occur, our products will send the appropriate replacement part(s) at no charge.

This warranty does not cover:

- Inspection costs or labor for replacement of any defective parts);
- Incidental or consequential damages;
- Cosmetic defects which DO NOT affect performance;
- Normal wear and tear;
- Damage due to vandalism; acts of nature, including but not limited to wind, storms, hail, floods;
- Improper assembly, installation, or use;
- Discoloration or fading of the finish as a result of exposure to chemicals, spills, pool or salt water
- Corrosion/ rust.

Your product has been designed for safety and quality. Any modifications made to the original product could compromise its structural integrity or function, and could lead to product failure or personal injury. As such, modifying this product voids any and all warranties.

This product is warranted for RESIDENTIAL USE ONLY, and is not for commercial, contract or other non-residential purposes. Products disclaims all other representations and warranties of any kind, express or implied.

The warranty applies to the original purchaser and is non-transferable. It does not apply to purchases of display models, or when the product is sold on clearance or "as is".

We makes no warranty whatsoever in respect to accessories or parts not supplied with it. This warranty shall apply only within the boundaries of the United States of America and Canada. This warranty gives the original purchaser specific rights, and the original purchaser may also have other rights, which vary from state to state.

