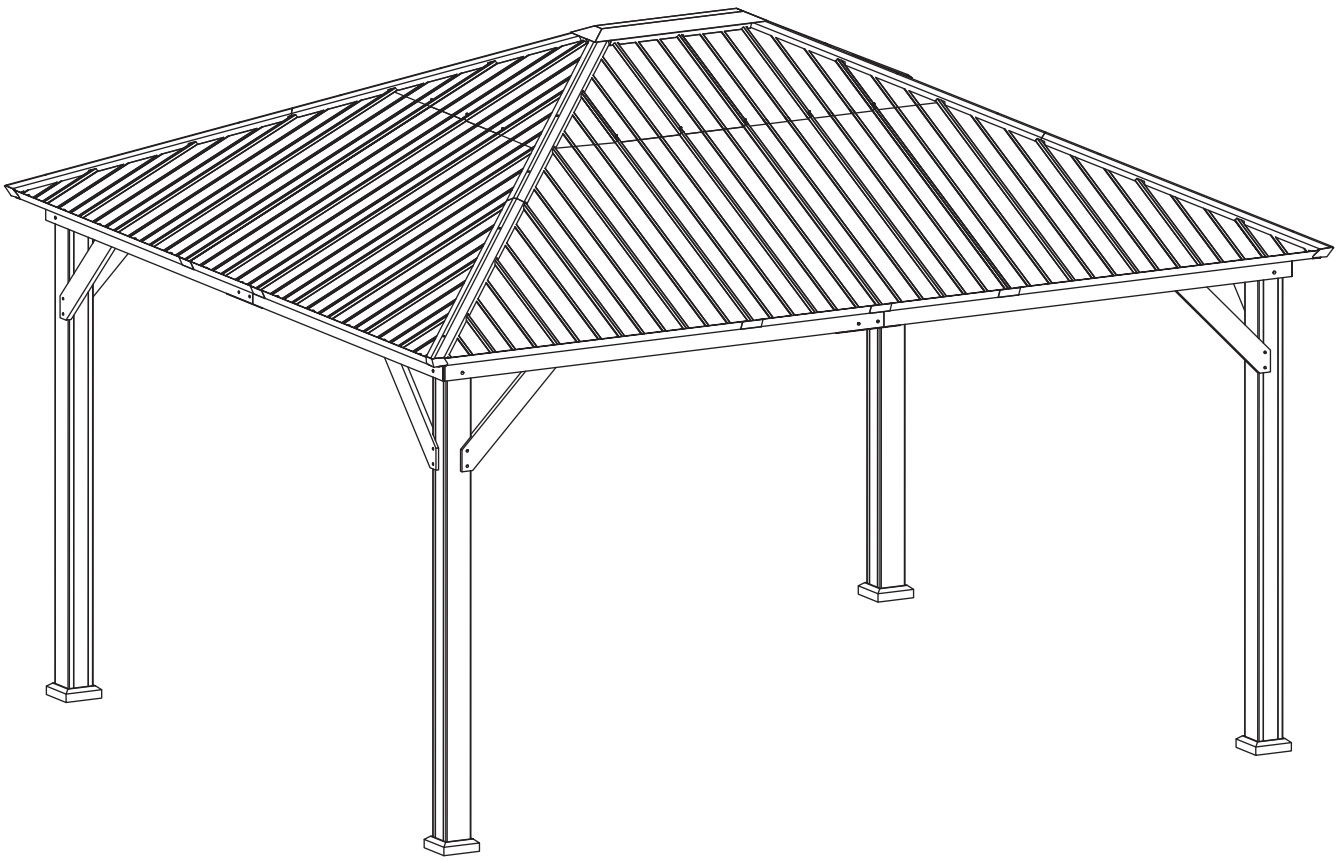


**MODEL: IG10600047-1214**



OWNER'S MANUAL

# Tranquil Grove 12' x 14' Cedar Framed Hardtop Pavilion

## TABLE OF CONTENTS


**ASSEMBLY GUIDE**.....02  
**USING YOUR PRODUCT**.....05

December 27, 2024

## QUESTIONS?

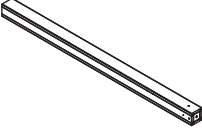


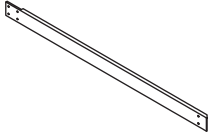
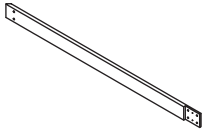
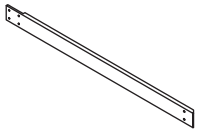
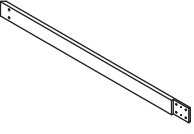
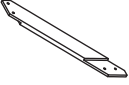

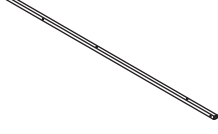
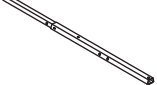
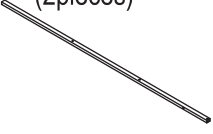
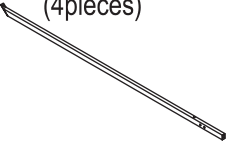
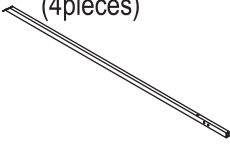
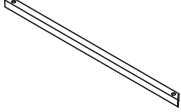

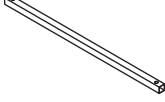
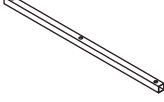
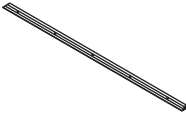
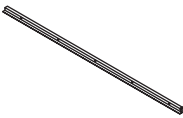
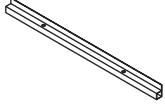
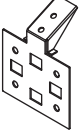
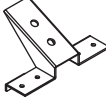
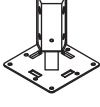
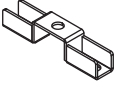
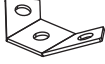
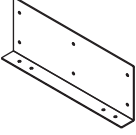
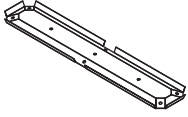
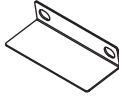
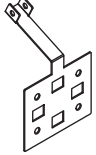
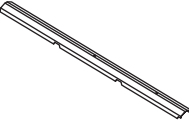
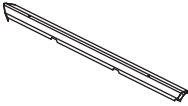
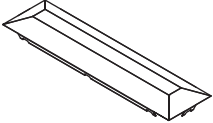



 **E-mail:** [support@modernshade.org](mailto:support@modernshade.org)

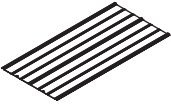
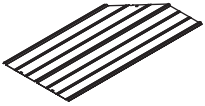
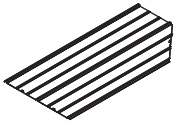




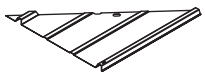
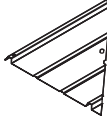




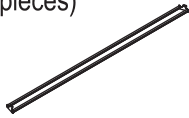
 **Toll Free:** 1-888-666-3070

 **Mon-Fri:** 9am---5pm PST.

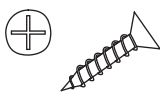
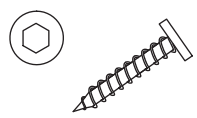
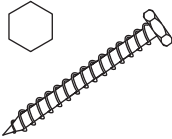
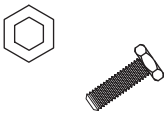
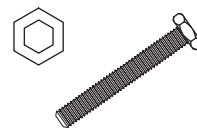
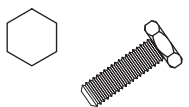
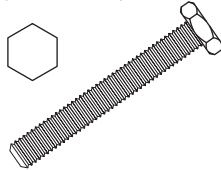

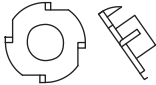




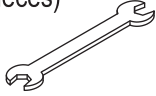
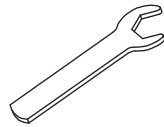


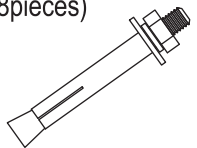
# ASSEMBLY GUIDE

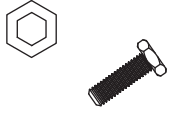
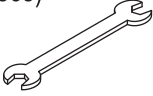




## PARTS LIST

<b>A1</b> Post 1 (4pieces) 	<b>B</b> Foot Base (4pieces) 	<b>C</b> Foot Cover (4pieces) 	<b>D5</b> Cross Beam 5 (2pieces) 	<b>D6</b> Cross Beam 6 (2pieces) 	<b>D7</b> Cross Beam 7 (2pieces) 
P0010000701	P0030000301	P0020000301	P0040001901	P0040002001	P0040002101
<b>D8</b> Cross Beam 8 (2pieces) 	<b>E1</b> Support Bracket 1 (4pieces) 	<b>E2</b> Support Bracket 2 (4pieces) 	<b>F1</b> Roof Rib 1 (4pieces) 	<b>F2</b> Roof Rib 2 (4pieces) 	<b>G1</b> Middle Cross Beam 1 (2pieces) 
P0040002201	P0050000501	P0050000601	P0070000501	P0070000601	P0080000501
<b>G3</b> Middle Cross Beam 3 (4pieces) 	<b>G4</b> Middle Cross Beam 4 (4pieces) 	<b>H2</b> Roof Support 2 (8pieces) 	<b>H4</b> Roof Support 4 (8pieces) 	<b>H6</b> Roof Support 6 (6pieces) 	<b>H7</b> Roof Support 7 (6pieces) 
P0080000801	P0080000901	P0090000202	P0090002201	P0090000302	P0090002501
<b>L1</b> Roof Border 1 (4pieces) 	<b>L2</b> Roof Border 2 (4pieces) 	<b>L9</b> Roof Border 9 (6pieces) 	<b>M1</b> Connector 1 (2pieces) 	<b>M2</b> Connector 2 (8pieces) 	<b>M3</b> Connector 3 (4pieces) 
P0090001502	P0090001602	P0090001902	P0060001401	P0060001501	P0060001701
<b>M4</b> Connector 4 (30pieces) 	<b>M5</b> Connector 5 (12pieces) 	<b>M6</b> Connector 6 (4pieces) 	<b>M8</b> Connector 8 (1piece) 	<b>M9</b> Connector 9 (10pieces) 	<b>M12</b> Connector 12 (2pieces) 
P0060000501	P0060000602	P0110000701	P0060000702	P0110000502	P0060005201
<b>N1</b> Roof Rib Cover 1 (4pieces) 	<b>N2</b> Roof Rib Cover 2 (4pieces) 	<b>N4</b> Roof Rib Cover 4 (1piece) 	<b>P1</b> Roof Plate 1 (2pieces) 	<b>P2</b> Roof Plate 2 (2pieces) 	<b>P3</b> Roof Plate 3 (2pieces) 
P0120001001	P0120001101	P0120000502	P0130001501	P0130001601	P0130001701

<b>P5</b> Roof Plate 5 (6pieces) 	<b>P8</b> Roof Plate 8 (4pieces) 	<b>P9</b> Roof Plate 9 (4pieces) 	<b>P10</b> Roof Plate 10 (4pieces) 	<b>P11</b> Roof Plate 11 (4pieces) 	<b>P12</b> Roof Plate 12 (4pieces) 
P0130001901	P0130007001	P0130007101	P0130000402	P0130000502	P0130000602
<b>P13</b> Roof Plate 13 (4pieces) 	<b>P14</b> Roof Plate 14 (4pieces) 	<b>P15</b> Roof Plate 15 (4pieces) 	<b>R</b> Hook (1piece) 	<b>T9</b> Mosquito Net Rod 9 (2pieces) 	<b>T10</b> Mosquito Net Rod 10 (2pieces) 
P0130000702	P0130007201	P0130007301	P1000000100	P0100001601	P0100001701
<b>T16</b> Mosquito Net Rod 16 (2pieces) 	<b>T17</b> Mosquito Net Rod 17 (2pieces) 				
P0100002301	P0100002401				

**HARDWARE PACK**

<b>AA</b> Bolt M5*25 (120+5pieces) 	<b>BB</b> Bolt M8*35 (32+2pieces) 	<b>CC</b> Bolt M10*65 (8+1pieces) 	<b>DD</b> Bolt M6*20 (226+11pieces) 	<b>EE</b> Bolt M6*45 (18+2pieces) 	<b>FF</b> Bolt M8*30 (16+1pieces) 
H0008008098	H0008008099	H0008008100	H0008008036	H0008008016	H0008008139
<b>GG</b> Bolt M10*160 (8+1pieces) 	<b>HH</b> Anti-slip Screw Nut M10 (8+1pieces) 	<b>JJ</b> Four-claw Screw Nut M8*8 (16+2pieces) 	<b>KK</b> M6 Flat washer (284+15pieces) 	<b>LL</b> M8 Flat washer (48+3pieces) 	<b>MM</b> M10 Flat washer (24+2pieces) 
H0008008140	H0008008126	H0008008127	H0008008056	H0008008057	H0008008058
<b>NN</b> M6 Sealant Washer (16+2pieces) 	<b>PP</b> Double Open End Wrench M6/M8 (2pieces) 	<b>QQ</b> Wrench M10 (2pieces) 	<b>RR</b> M6 Allen Key (2pieces) 	<b>SS</b> M8 Allen Key (2pieces) 	<b>TT</b> Concrete Anchor M6*60 (8pieces) 
H0008008060	H0008008062	H0008008128	H0008008073	H0008008129	H0008008095

<b>W</b> Bolt M6*15 (40+2pieces) 	<b>XX</b> Double Open End Wrench M5/M6 (1piece) 	<b>YY</b> M5×14 Double head screw (16+1pieces) 	<b>ZZ</b> M5 Ball nut (16+1pieces) 	<b>ZY</b> M5 Flat washer (16+2pieces) 	<b>ZX</b> M5 Sealant Washer (16+2pieces) 
H0008008001	H0008008121	H0008008163	H0008008164	H0008008056	H0008008059

**IMPORTANT:**

This instruction manual contains important information necessary for the proper assembly and safe use of the product.

Read and follow all warnings and instructions before assembling and using the product.

Follow all warnings and instructions when using the product.

Keep this manual for future reference.

Installer/Assembler: leave these instructions with the consumer.

**SAFETY ALERT KEY****⚠ DANGER**

Indicates a hazardous situation that, if not avoided, will result in death or serious injury.

**⚠ WARNING**

Indicates a hazardous situation that, if not avoided, could result in death or serious injury.

**⚠ CAUTION**

Indicates a hazardous situation that, if not avoided, could result in minor or moderate injury.

**NOTICE**

Indicates information considered important, but not hazard-related (e.g.messages related to property damage).

# ASSEMBLY INSTRUCTIONS

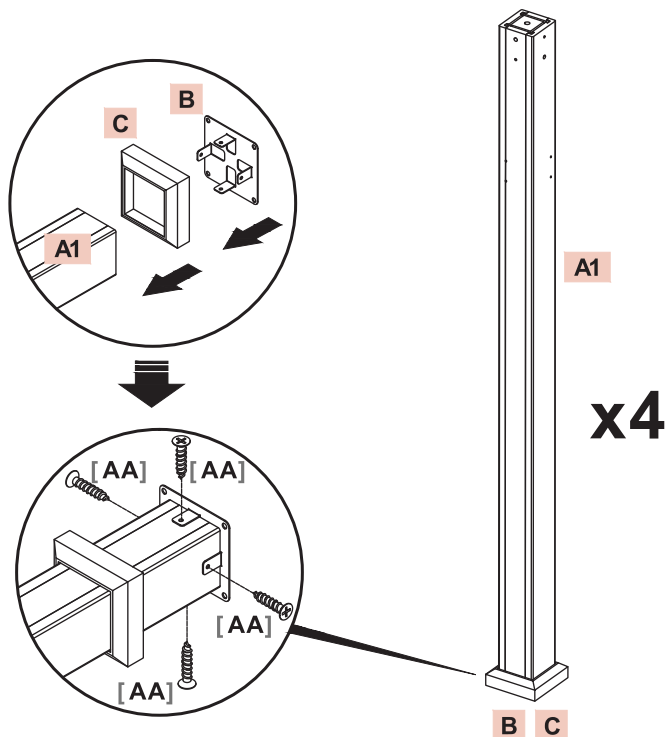
- Please carefully unpack each of the components and hardware. check the components against the parts list and make sure there are no missing parts. lay pieces on cardboard or a soft mat to help protect the pieces from scratches.

## ⚠ CAUTION

Watch for sharp edges when handling the pieces, wear gloves to avoid injury.

**STEP 01** Slide foot base **B** and foot cover **C** onto post **A1**. Use four (4) **[AA]** bolts to attach foot base **B** to post **A1**. Repeat with the other three (3) posts **A1**.

**[AA]** x16



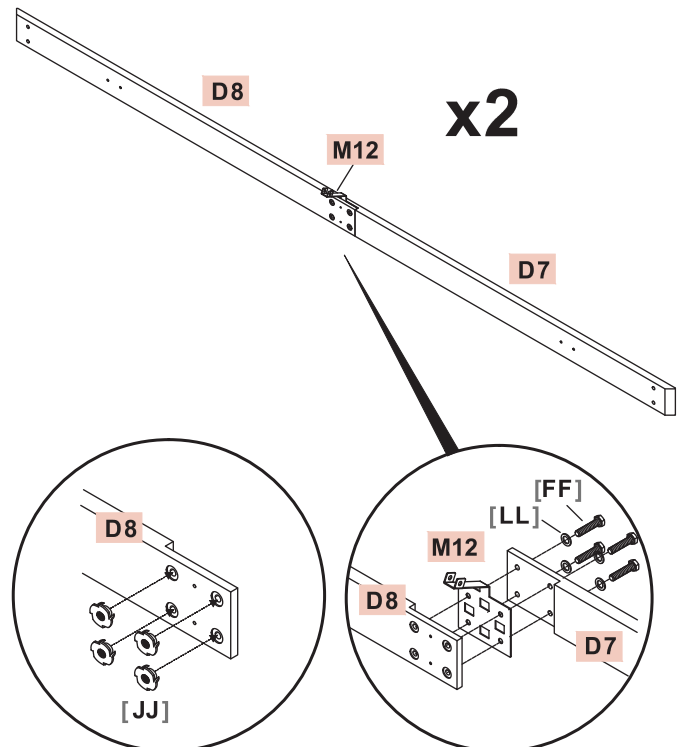
- For ease of assembly, it is recommended to have 3 or more people and allow enough time to completely finish the assembly. assembly can take 6-8 hours. a step-ladder is required for assembly (not included).
- Follow step by step instructions, and follow all safety warnings provided with your tools.
- DO NOT tighten screws until all the screws and washers are properly installed. Tighten screws securely, do not over tighten.
- Gazebo should not be used in inclement weather and high winds.

**STEP 02** Attach four (4) **[JJ]** screw nuts to cross beam **D8**. Use four (4) **[FF]** bolts and four (4) **[LL]** flat washers to attach cross beam **D7** to connector **M12** and cross beam **D8**. Repeat to make a second assembly.

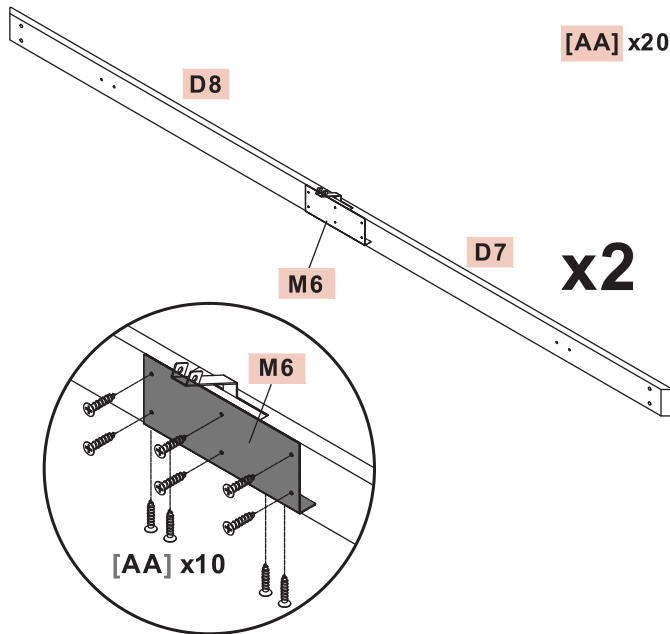
**[FF]** x8

**[LL]** x8

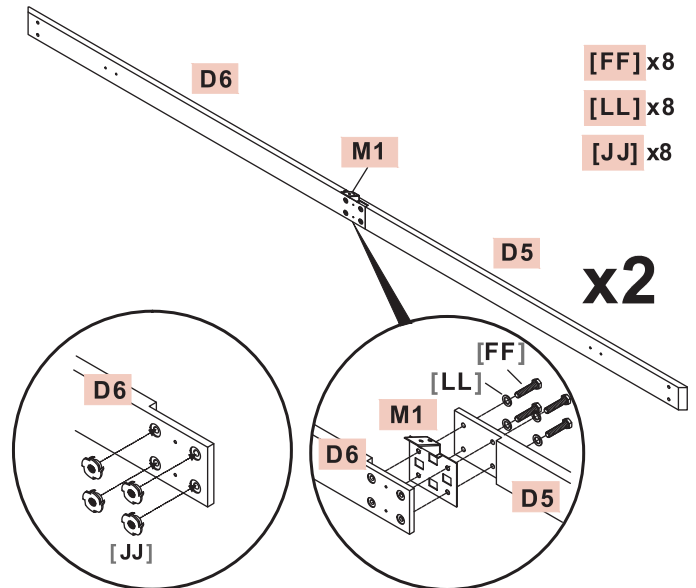
**[JJ]** x8



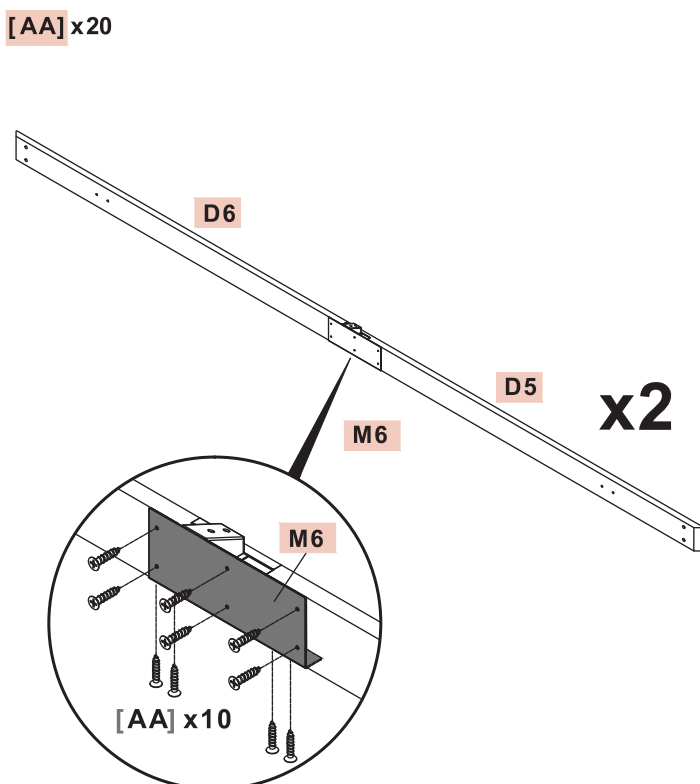
**STEP 03** Use ten (10) [AA] bolts to attach each connector [M6] to cross beam assembly [D7] [D8]. Repeat to make a second assembly.



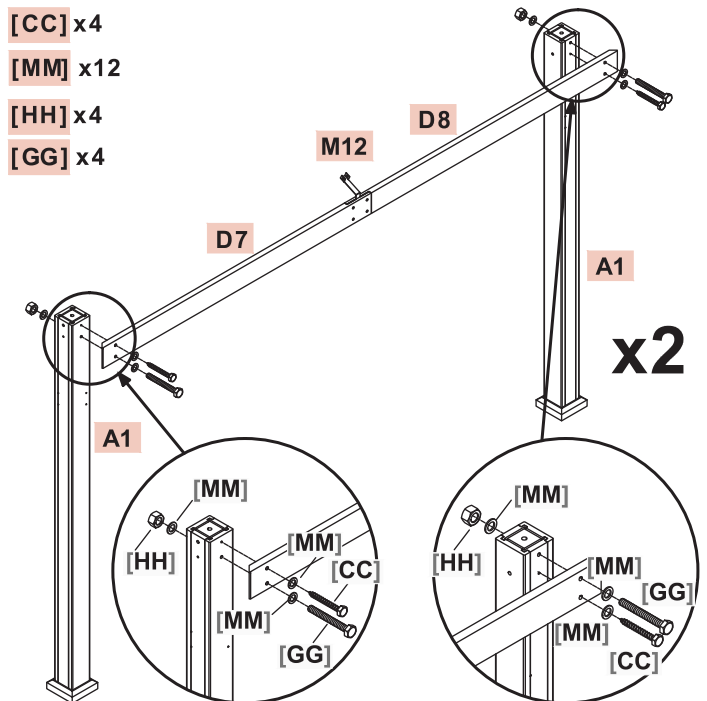
**STEP 04** Attach four (4) [JJ] screw nuts to cross beam [D6]. Use four (4) [FF] bolts and four (4) [LL] flat washers to attach cross beam [D5] to connector [M1] and cross beam [D6]. Repeat to make a second assembly.



**STEP 05** Use ten (10) [AA] bolts to attach each connector [M6] to cross beam assembly [D5] [D6]. Repeat to make a second assembly.

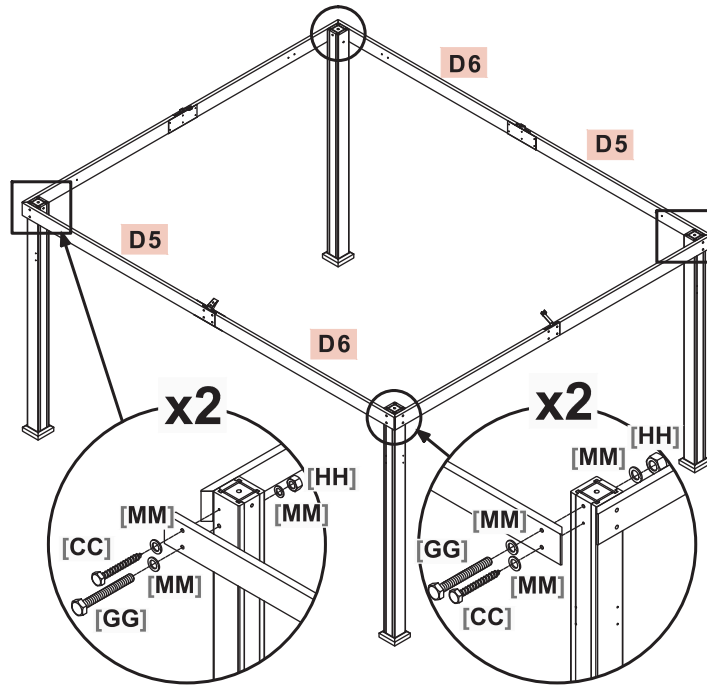


**STEP 06** Attach the cross beam assembly [D7] [D8] to left [A1] post using one (1) [CC] bolt and [MM] washer in the top hole, and one (1) [GG] bolt, two (2) [MM] washers, and one (1) [HH] nut in the bottom hole. Attach the cross beam assembly to right [A1] post using one (1) [GG] bolt, two (2) [MM] washers, and one (1) [HH] nut in the top hole, and one (1) [CC] bolt and [MM] washer in the bottom hole. Repeat to make a second assembly.

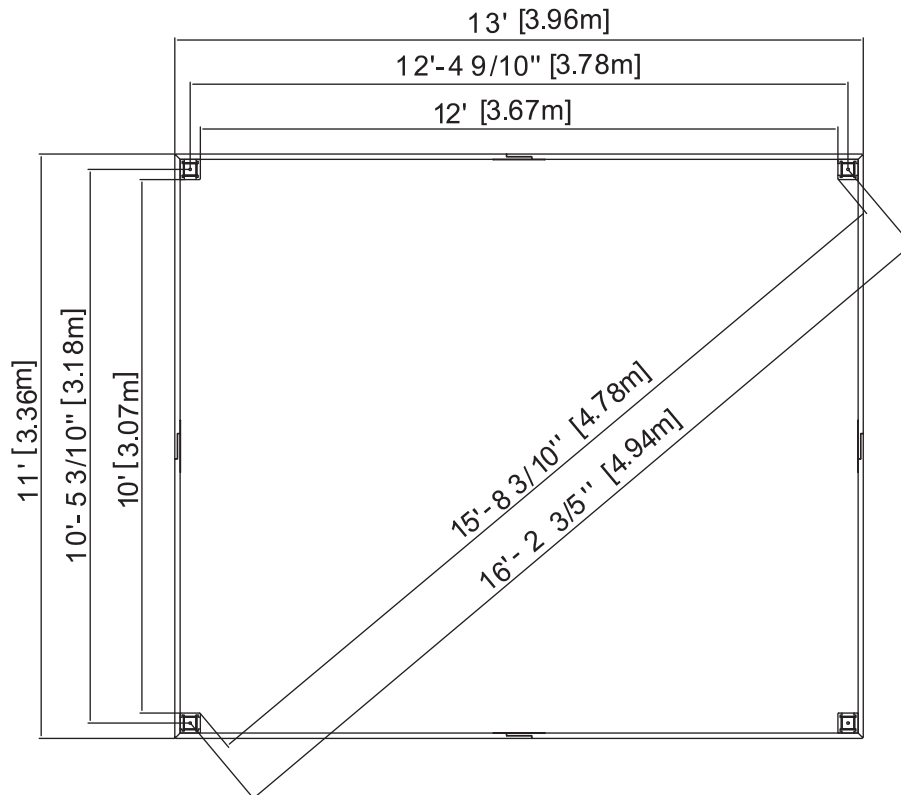


**STEP 07** Attach the cross beam assembly **D5** **D6** to left **A1** post using one (1) **[CC]** bolt and **[MM]** washer in the top hole, and one (1) **[GG]** bolt, two (2) **[MM]** washers, and one (1) **[HH]** nut in the bottom hole. Attach the cross beam assembly to right **A1** post using one (1) **[GG]** bolt, two (2) **[MM]** washers, and one (1) **[HH]** nut in the top hole, and one (1) **[CC]** bolt and **[MM]** washer in the bottom hole. Repeat to make a second assembly.

- [CC]** x4
- [MM]** x12
- [HH]** x4
- [GG]** x4

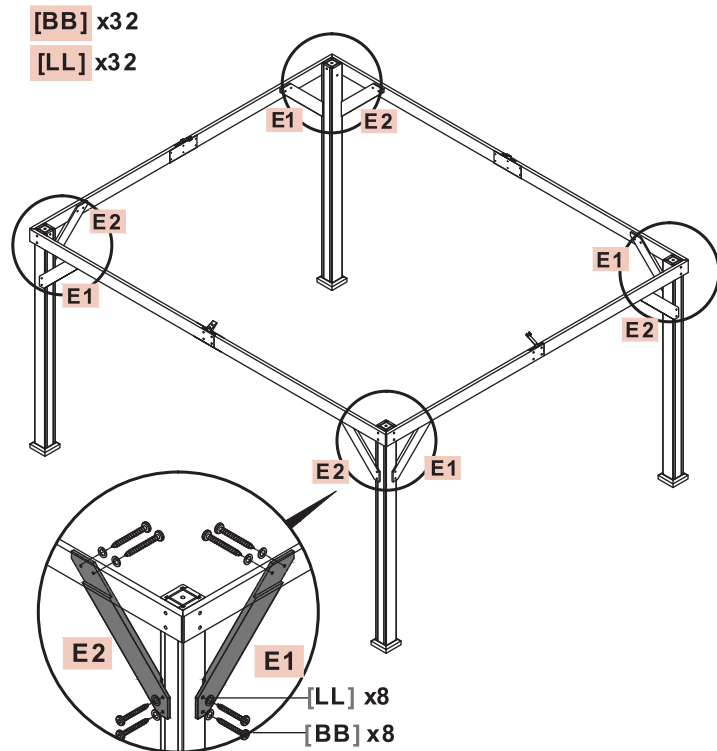


**STEP 08 CRITICAL: SQUARE UNIT BEFORE PROCEEDING TO NEXT STEPS. ONCE SQUARE, TIGHTEN ALL HARDWARE.**

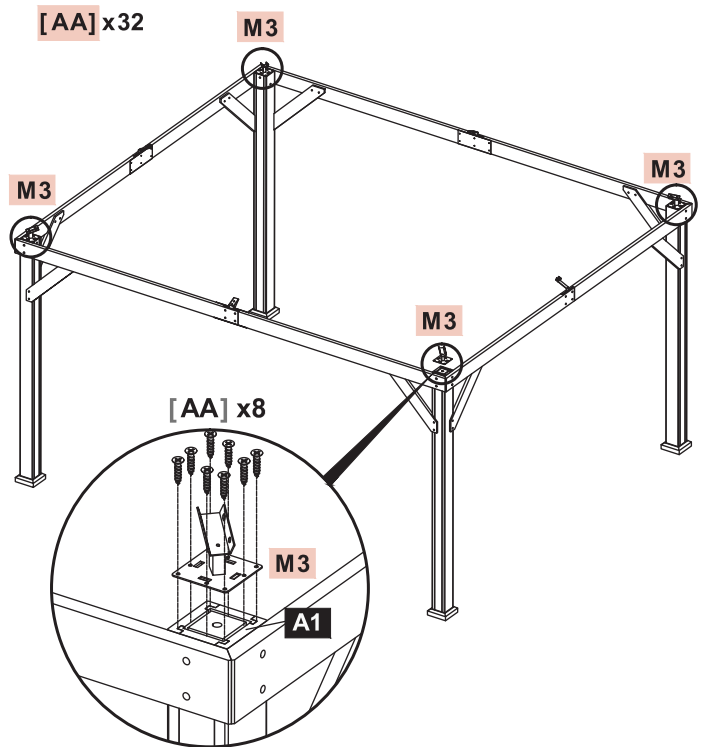


**STEP 09** Use four (4) [BB] bolts and four (4) [LL] flat washers to attach one (1) support bracket [E1] to cross beam and post on left corner of each side. Repeat with the other three (3) support brackets [E1].

Use four (4) [BB] bolts and four (4) [LL] flat washers to attach one (1) support bracket [E2] to cross beam and post on right corner of each side. Repeat with the other three (3) support brackets [E2].

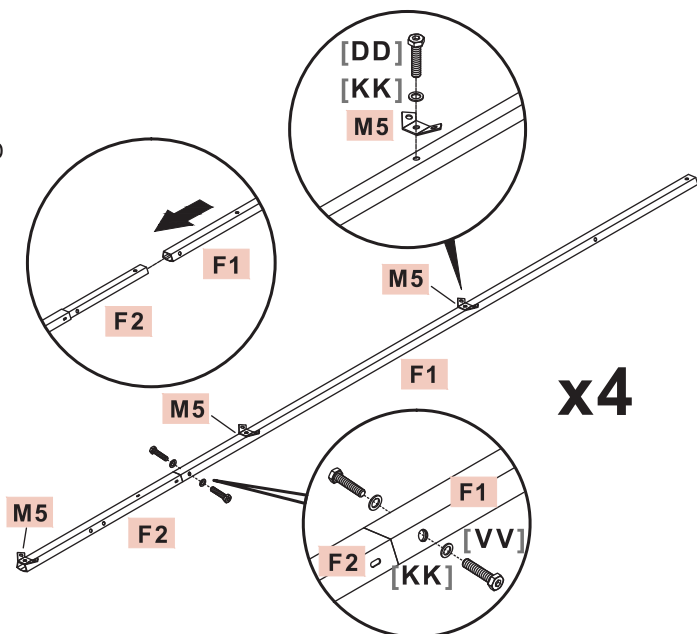


**STEP 10** Use eight (8) [AA] bolts to attach one (1) connector [M3] to each post.



**STEP 11** Slide roof rib [F1] onto [F2]. Securing with two (2) [VV] bolts and two (2) [KK] flat washers. Use one (1) [DD] bolt and one (1) [KK] flat washer to attach each connector [M5] to roof rib [F1] [F2]. Repeat with the other two (2) [M5] on one roof rib assembly. Repeat with the other three (3) roof rib assembly.

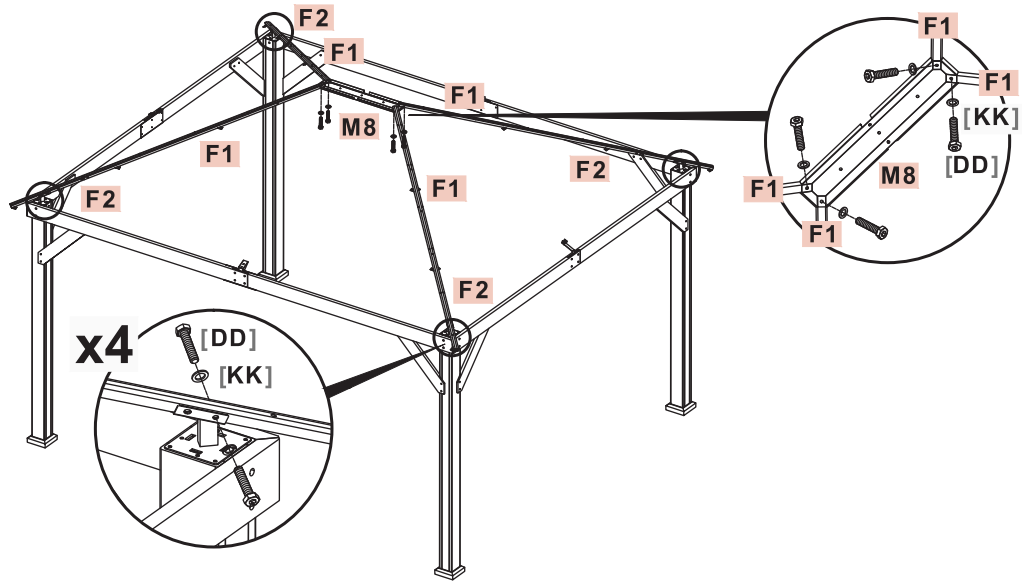
[DD] x12  
[KK] x20  
[VV] x8



**STEP 12** Use four (4) [DD] bolts and four (4) [KK] flat washers to attach connector **M8** to roof ribs **F1**. Use two (2) [DD] bolts and two (2) [KK] flat washers to attach each roof rib **F2** to connector **M3** on the posts.

[KK] x12

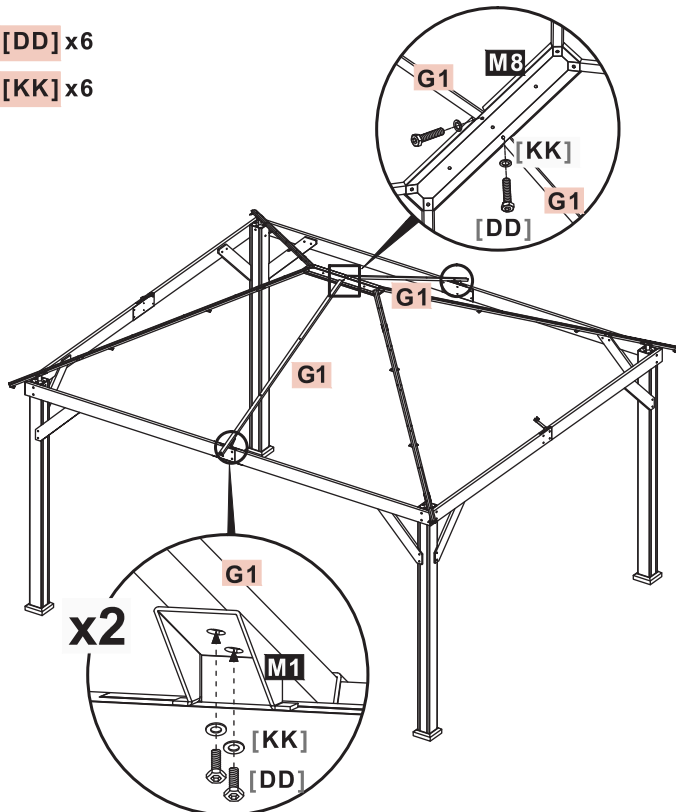
[DD] x12



**STEP 13** Use two (2) [DD] bolts and two (2) [KK] flat washers to attach the lower end of middle cross beam **G1** to connector **M1**. Use one (1) [DD] bolt and one (1) [KK] flat washer to attach the upper end of **G1** to connector **M8**. Repeat with the other **G1**.

[DD] x6

[KK] x6



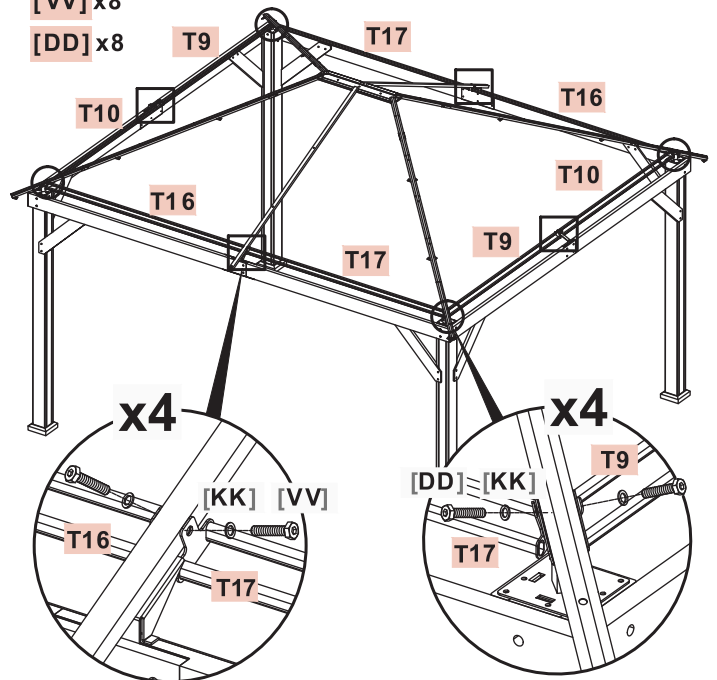
**STEP 14** Use one (1) [VV] bolt, one (1) [DD] bolt and two (2) [KK] flat washers to attach one (1) mosquito net rod **T17** to roof rib **F2** and middle cross beams **G1**. Repeat with the other **T17** and two (2) **T16**.

Use one (1) [VV] bolt, one (1) [DD] bolt and two (2) [KK] flat washers to attach one (1) mosquito net rod **T9** to roof rib **F2** and connectors on cross beams. Repeat with the other **T9** and two (2) **T10**.

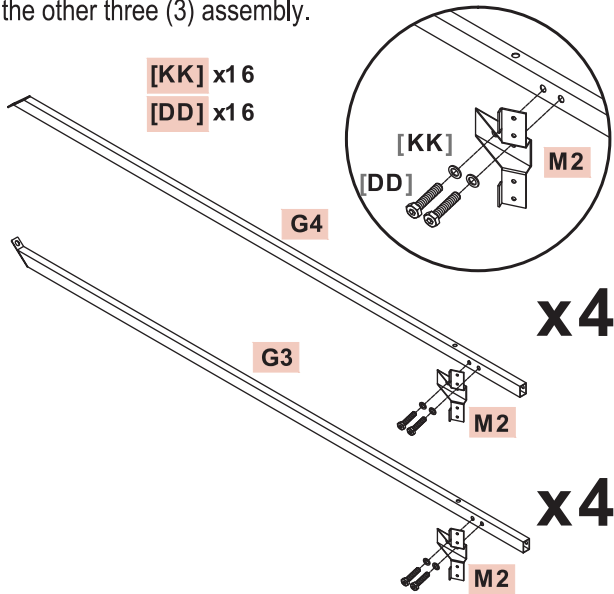
[KK] x16

[VV] x8

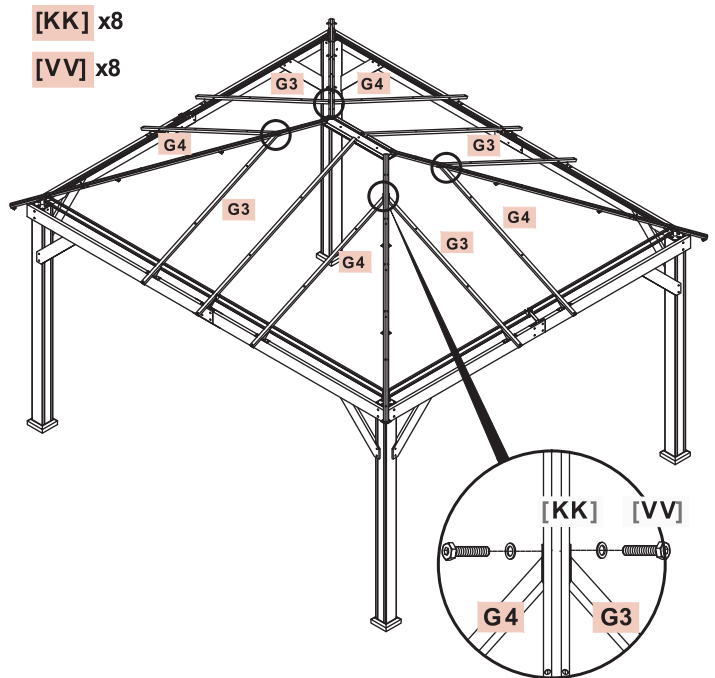
[DD] x8



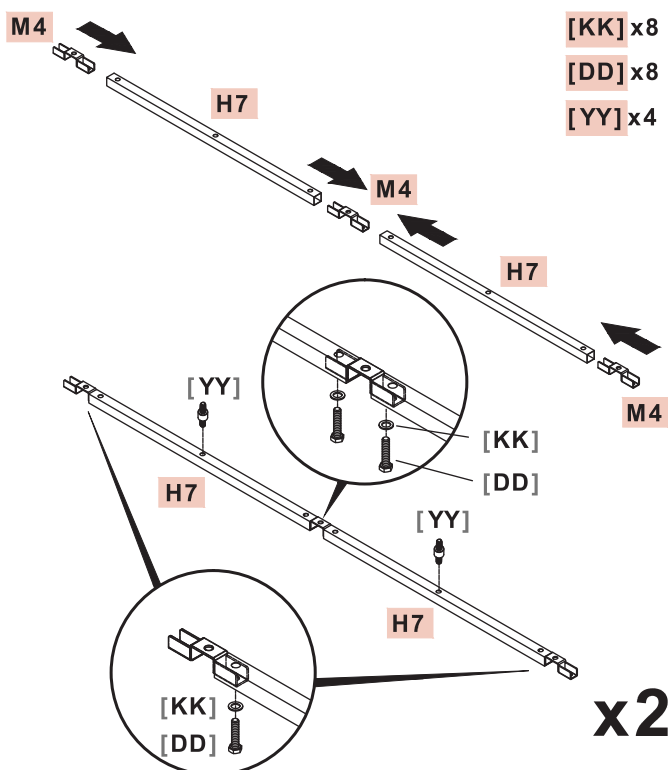
**STEP 15** Use two (2) [DD] bolts and two (2) [KK] flat washers to attach one (1) connector [M2] to middle cross beam [G3]. Repeat to make the other three (3) assembly. Use two (2) [DD] bolts and two (2) [KK] flat washers to attach one (1) connector [M2] to middle cross beam [G4]. Repeat to make the other three (3) assembly.



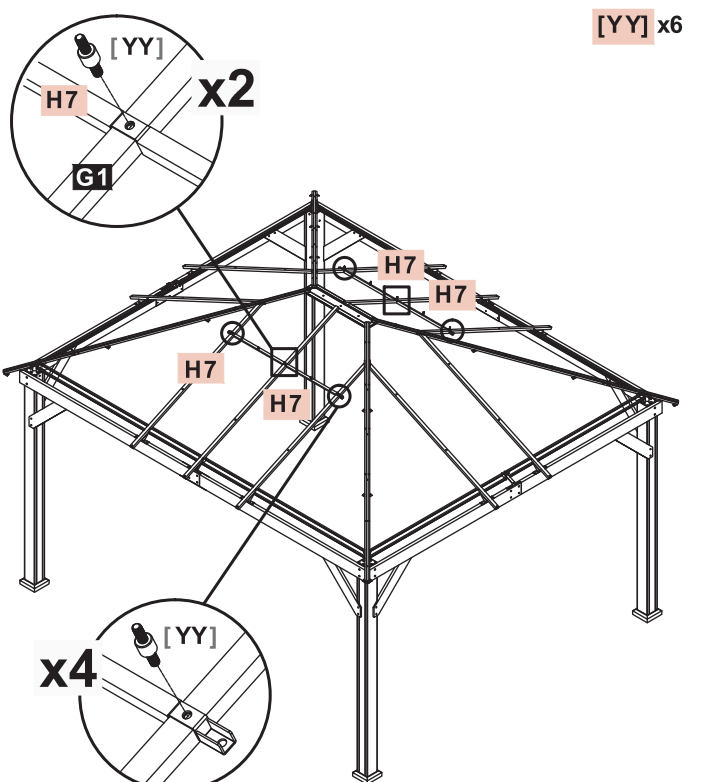
**STEP 16** Use one (1) [VV] bolt and one (1) [KK] flat washer to attach the upper end of [G4] to roof rib [F1] [F2]. Repeat with the other three (3) [G4] and four (4) [G3].



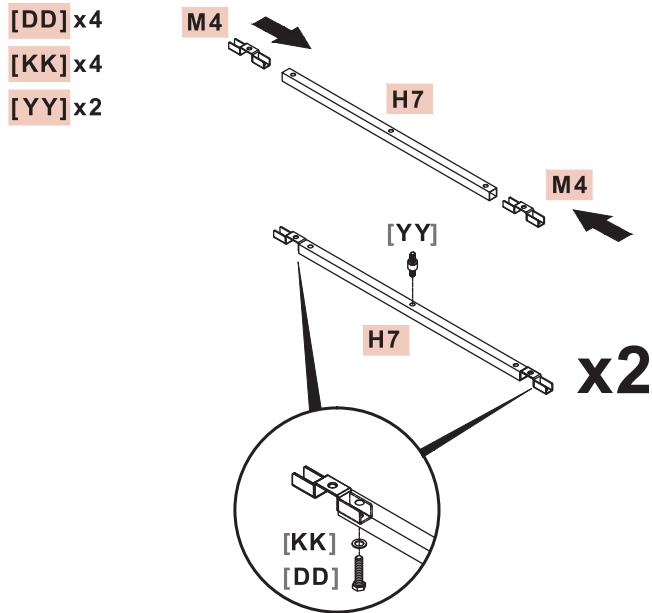
**STEP 17** Create a roof support assembly by sliding the parts together in this order: [M4], [H7], [M4], [H7] and [M4]. Secure using [DD] bolts and [KK] washers. Insert two (2) [YY] double-headed screws into the top. Repeat the process to make a second assembly.



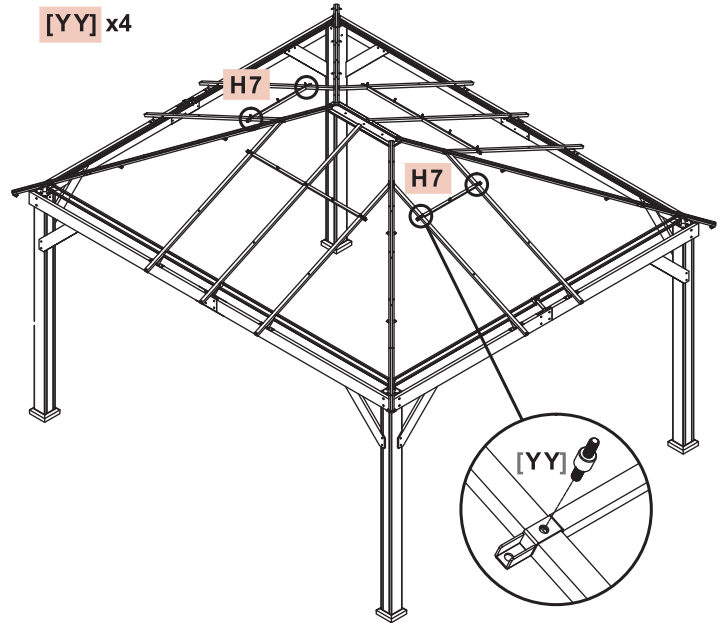
**STEP 18** Use three (3) [YY] double head screws to attach one (1) roof support assembly [H7] to middle cross beams. Repeat with the other roof support assembly [H7].



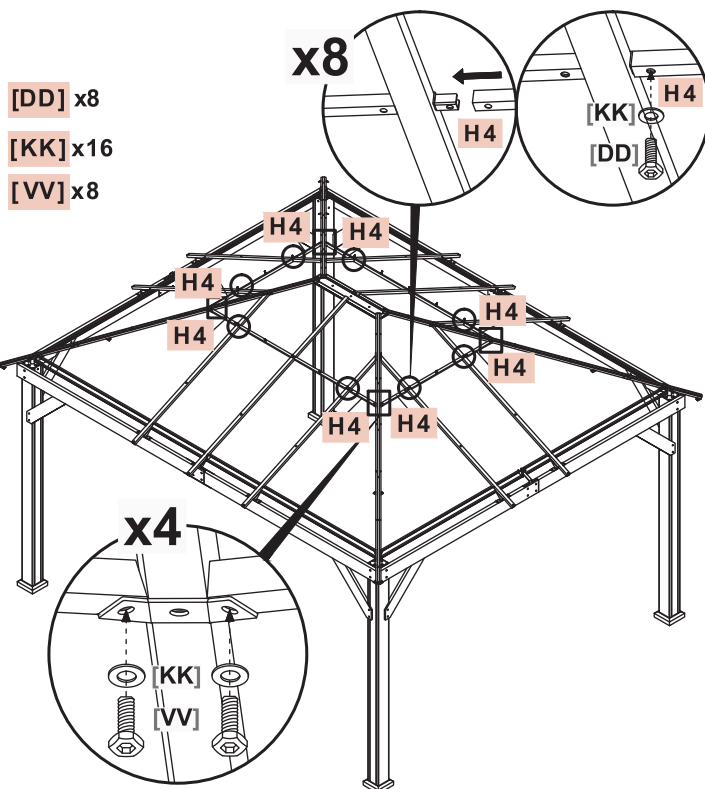
**STEP 19** Create a roof support assembly by sliding the parts together in this order: **M4**, **H7** and **M4**. Secure using **[DD]** bolts and **[KK]** washers. Insert **[YY]** double-headed screws into the top. Repeat the process to make a second assembly.



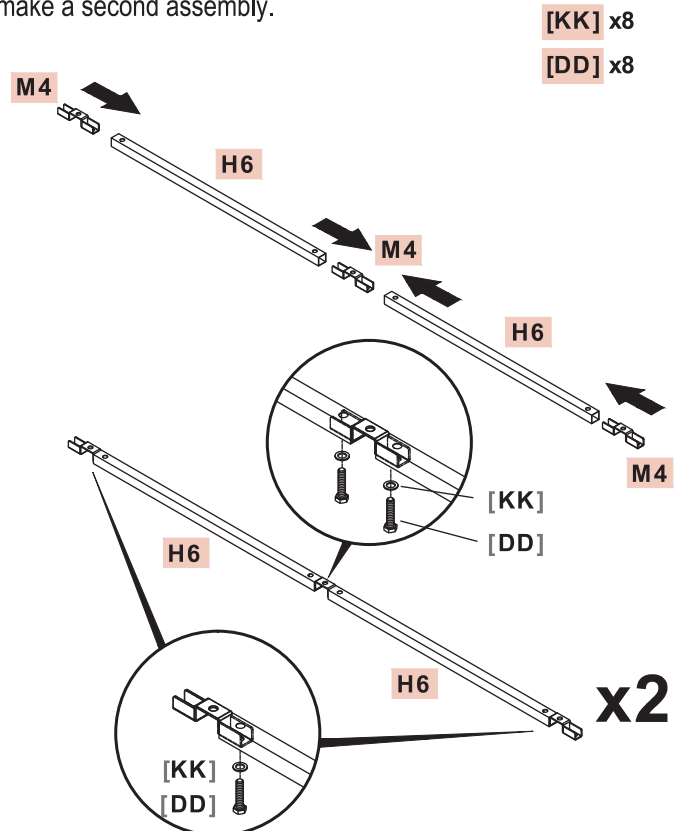
**STEP 20** Use two (2) **[YY]** double head screws to attach one (1) roof support assembly **H7** to middle cross beams. Repeat with the other roof support assembly **H7**.



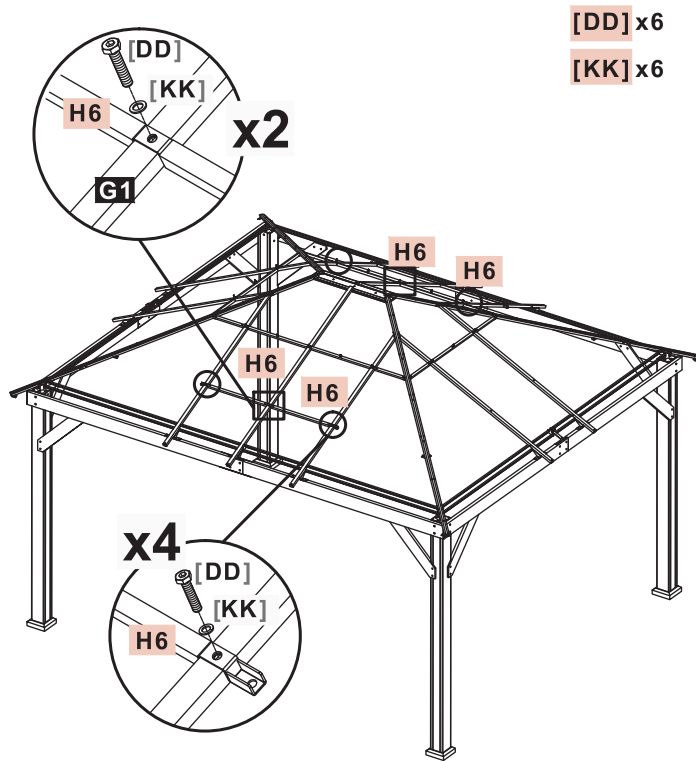
**STEP 21** Slide roof support **H4** onto middle cross beam **G3 / G4**. Use one (1) **[VV]** bolt, one (1) **[DD]** bolt and two (2) **[KK]** flat washers to attach one (1) **H4** to roof rib **F1 F2** and middle cross beam **G3 / G4**. Repeat with the other seven (7) **H4**.



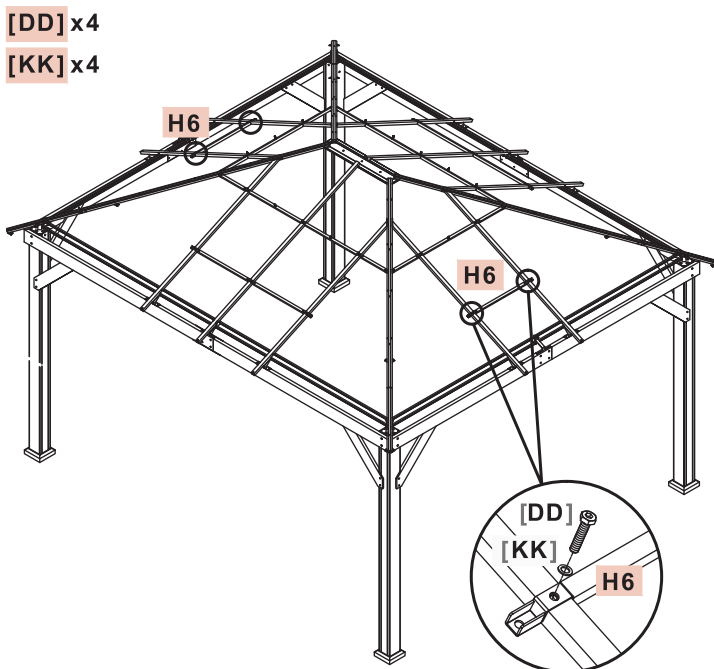
**STEP 22** Create a roof support assembly by sliding the parts together in this order: **M4**, **H6**, **M4**, **H6** and **M4**. Secure using **[DD]** bolts and **[KK]** washers. Repeat the process to make a second assembly.



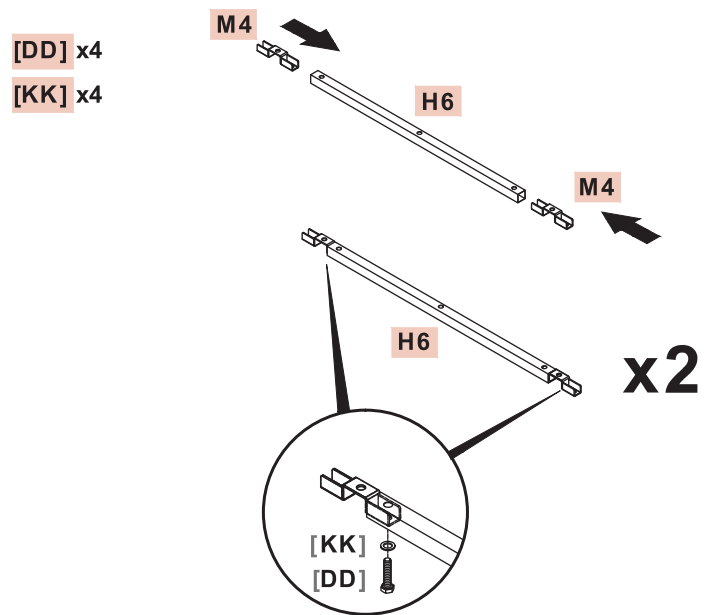
**STEP 23** Use three (3) [DD] bolts and three (3) [KK] flat washers to attach one (1) roof support assembly H6 to middle cross beams. Repeat with the other roof support assembly H6.



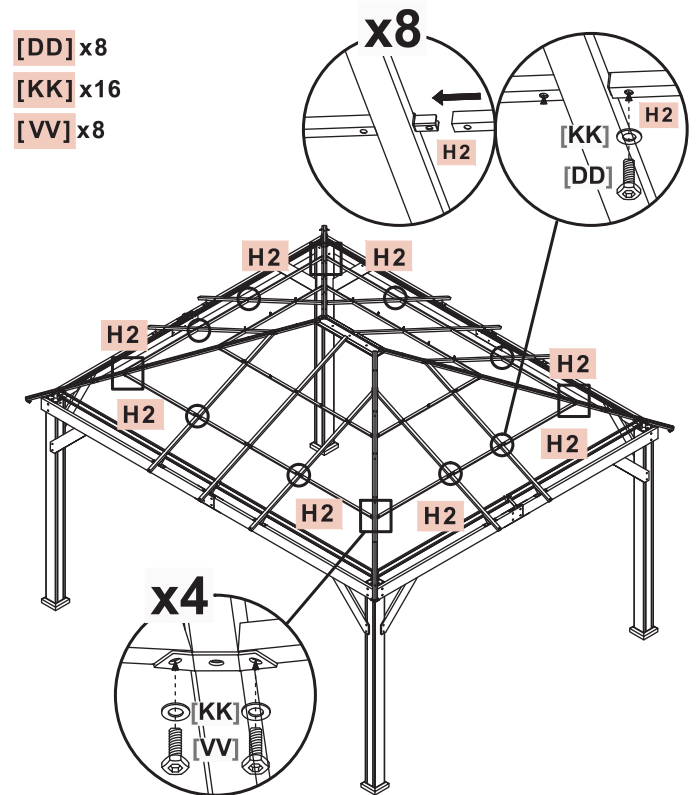
**STEP 25** Use two (2) [DD] bolts and two (2) [KK] flat washers to attach one (1) roof support assembly H6 to middle cross beams. Repeat with the other roof support assembly H6.



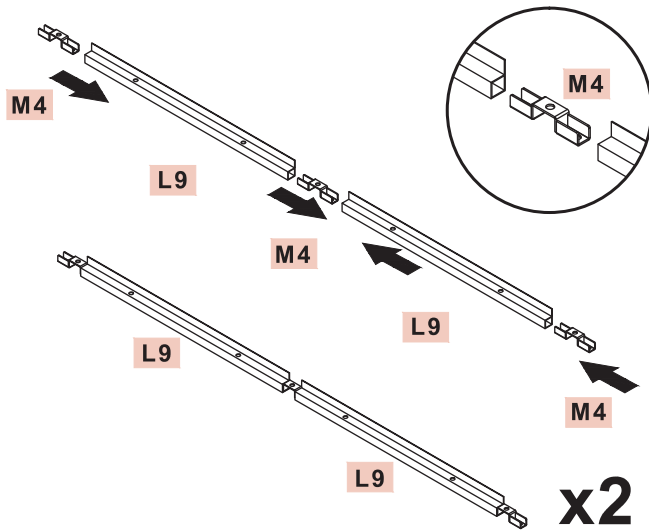
**STEP 24** Create a roof support assembly by sliding the parts together in this order: M4, H6 and M4. Secure using [DD] bolt and [KK] washer. Repeat the process to make a second assembly.



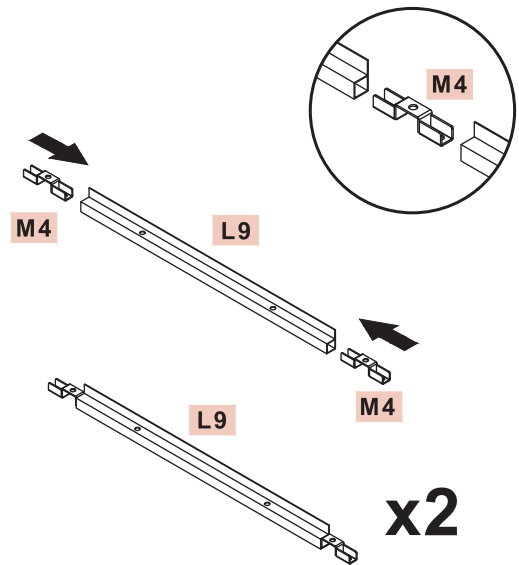
**STEP 26** Slide roof support H2 onto middle cross beam G3 / G4. Use one (1) [VV] bolt, one (1) [DD] bolt and two (2) [KK] flat washers to attach one (1) H2 to roof rib F1 F2 and middle cross beam G3 / G4. Repeat with the other seven (7) H2.



**STEP 27** Create a roof lower border assembly by sliding the parts together in this order: **M4**, **L9**, **M4**, **L9** and **M4**. Repeat the process to make a second assembly.



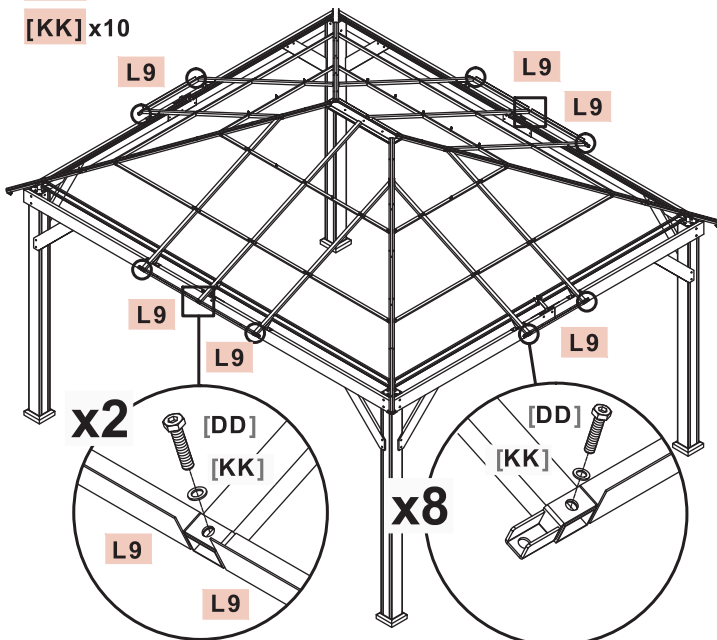
**STEP 28** Create a roof lower border assembly by sliding the parts together in this order: **M4**, **L9** and **M4**. Repeat the process to make a second assembly.



**STEP 29** Use three (3) **[DD]** bolts and three (3) **[KK]** flat washers to attach one (1) roof border assembly **L9** to middle cross beams. Repeat with the other roof border assembly **L9**. Use two (2) **[DD]** bolts and two (2) **[KK]** flat washers to attach one (1) roof border assembly **L9** to middle cross beams. Repeat with the other roof border assembly **L9**.

**[DD]** x10

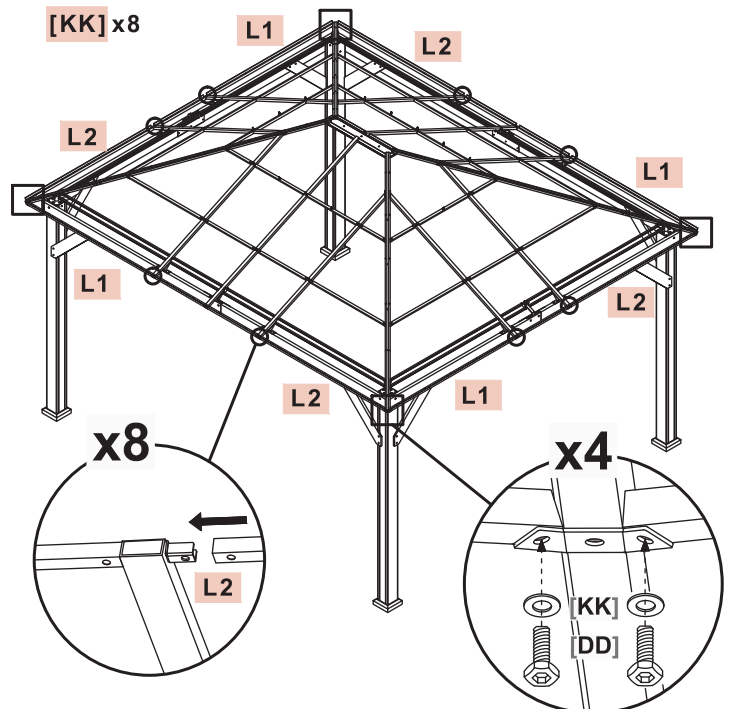
**[KK]** x10



**STEP 30** Slide roof border **L2** to middle cross beams. Use one (1) **[DD]** bolt and one (1) **[KK]** flat washer to attach one (1) roof border **L2** to roof rib **F2**. Repeat with the other three (3) **L2** and four (4) **L1**.

**[DD]** x8

**[KK]** x8

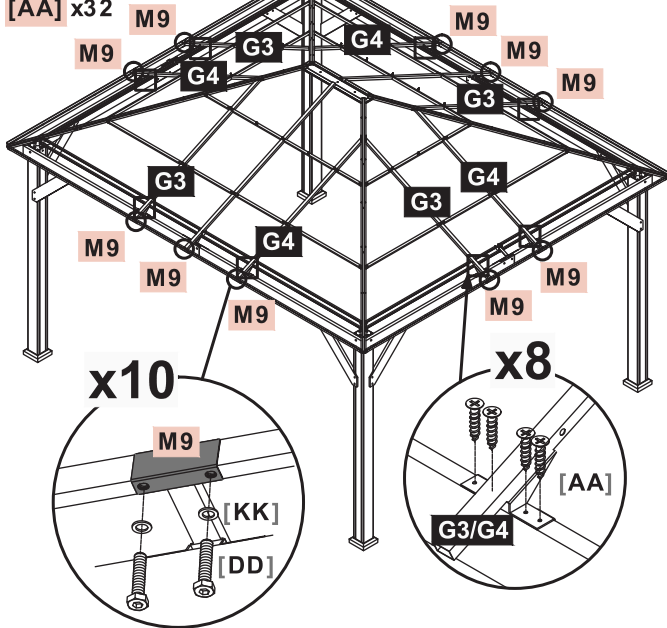


**STEP 31** Use four (4) [AA] bolts to attach each connector **M2** on **G3 / G4** to cross beams. Use two (2) [DD] bolts and two (2) [KK] flat washers to attach one (1) connector **M9** to roof borders. Repeat with the other nine (9) connector **M9**.

[DD] x20

[KK] x20

[AA] x32

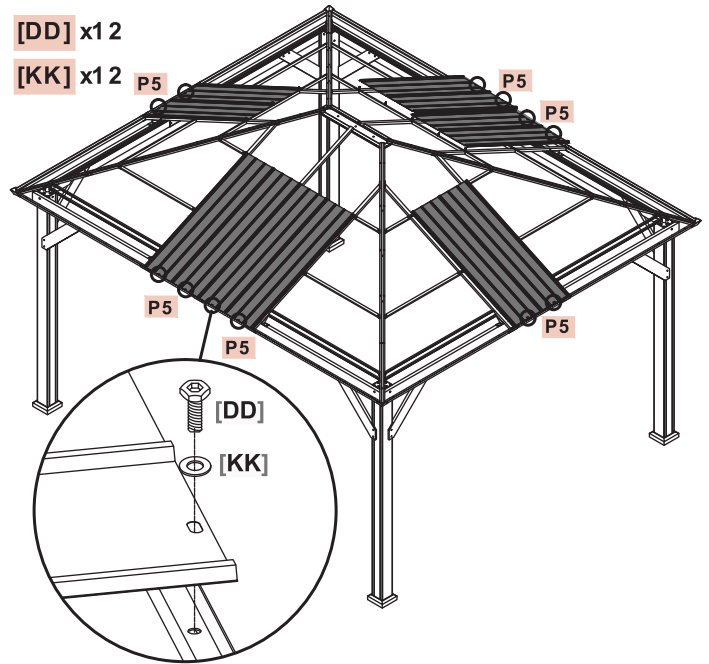


**STEP 32** DO NOT tighten the bolts completely until all the bolts and washers are properly installed. Overlap the edges of the adjacent roof plates together.

Use one (1) [DD] bolt and one (1) [KK] flat washer to attach each hole of roof plates **P5** to the frame.

[DD] x12

[KK] x12



**STEP 33** Overlap the edges of the adjacent roof plates together. Use one (1) [DD] bolt and one (1) [KK] flat washer to attach each top hole of roof plates **P1**, **P2** and **P3** to the frame. Use one (1) [ZZ] ball nut, one (1) [ZX] flat washer and one (1) [ZY] flat washer to attach each bottom hole of roof plates **P1**, **P2** and **P3** to the [YY] screw.

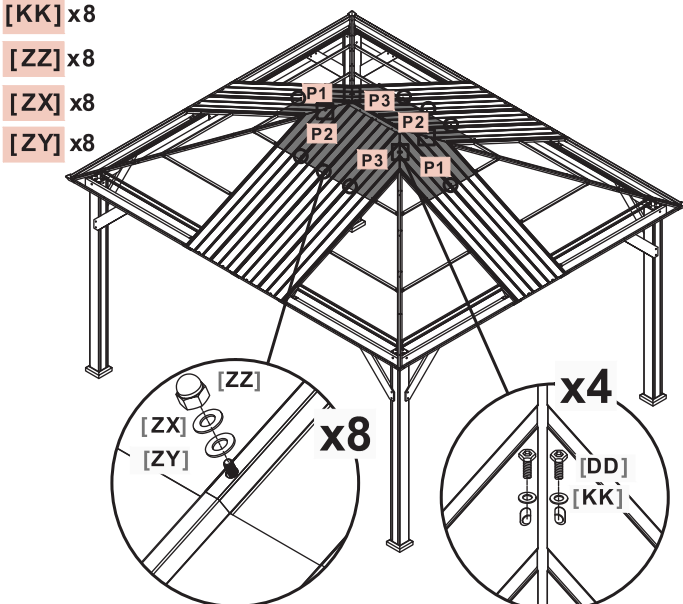
[DD] x8

[KK] x8

[ZZ] x8

[ZX] x8

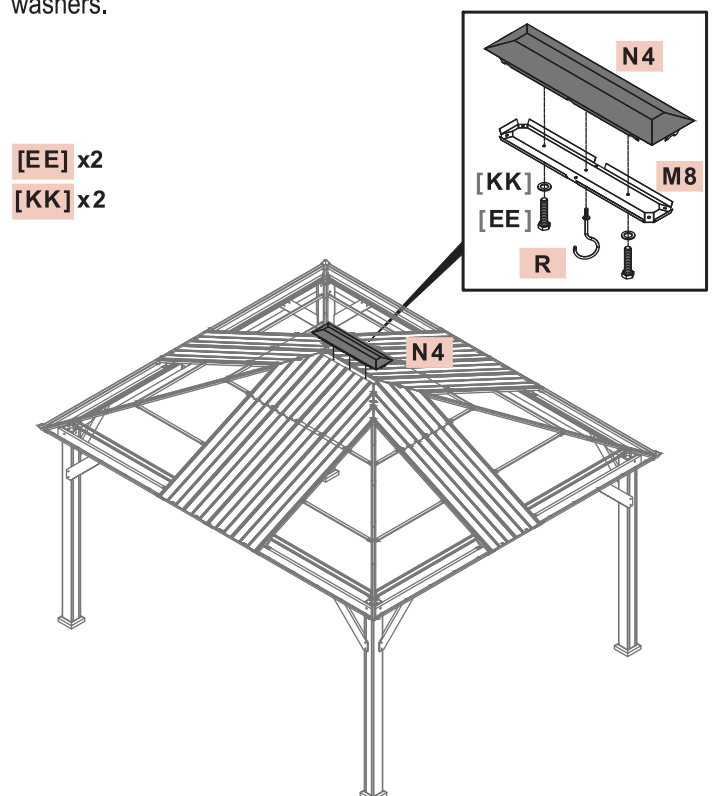
[ZY] x8



**STEP 34** Attach hook **R** to roof rib cover **N4** through connector **M8**. Securing with two (2) [EE] bolts and two (2) [KK] flat washers.

[EE] x2

[KK] x2

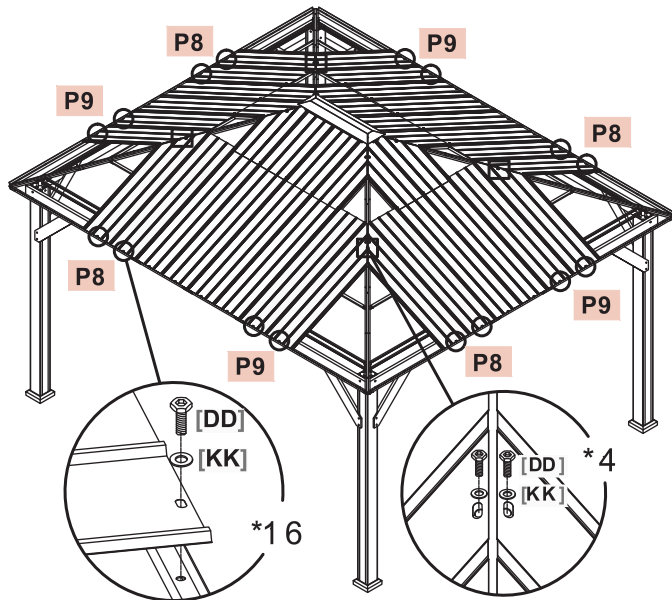


**STEP 35** DO NOT tighten the bolts completely until all the bolts and washers are properly installed.

Overlap the edges of the adjacent roof plates together. Use one (1) [DD] bolt and one (1) [KK] flat washer to attach each hole of roof plates P8 and P9 to the frame.

[DD] x24

[KK] x24

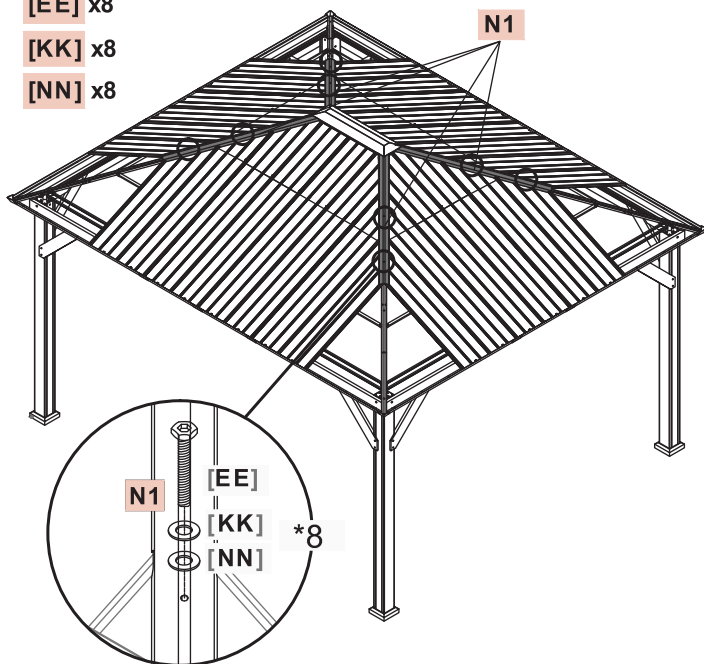


**STEP 37** Use two (2) [EE], two (2) [KK] flat washers and two (2) [NN] flat washers to attach one (1) roof rib cover N1 to the roof. Repeat with the other three (3) roof rib cover N1.

[EE] x8

[KK] x8

[NN] x8



**STEP 36** Use one (1) [DD] bolt and one (1) [KK] flat washer to attach each top hole of roof plates P14 and P15 to the frame. Use one (1) [ZZ] ball nut, one (1) [ZX] flat washer and one (1) [ZY] flat washer to attach each bottom hole of roof plates P14 and P15 to the [YY] screw.

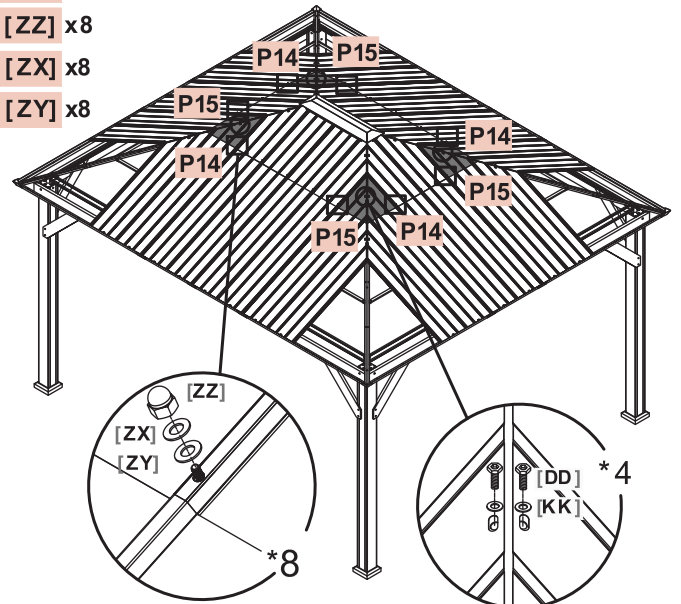
[DD] x8

[KK] x8

[ZZ] x8

[ZX] x8

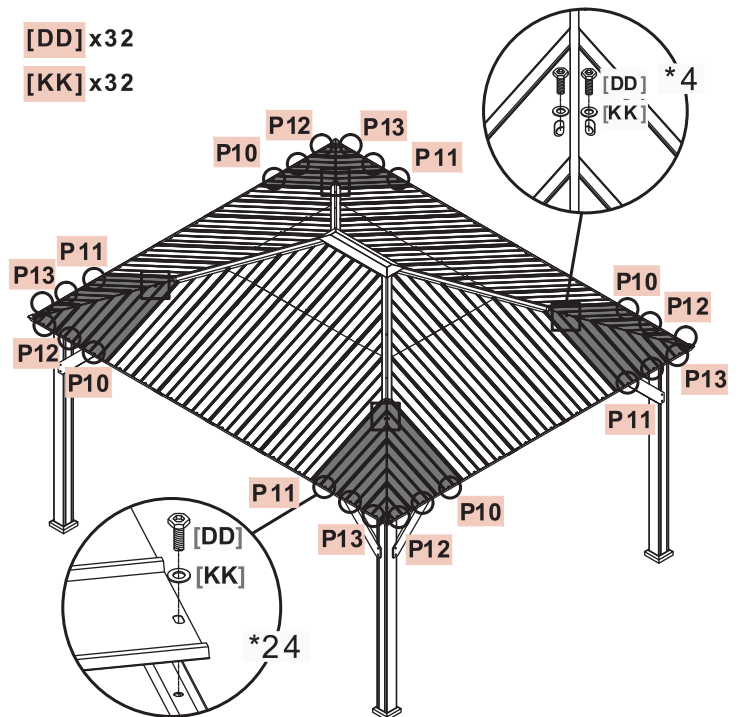
[ZY] x8



**STEP 38** Use one (1) [DD] bolt and one (1) [KK] flat washer to attach each hole of roof plates P10, P11, P12, P13 to the frame.

[DD] x32

[KK] x32

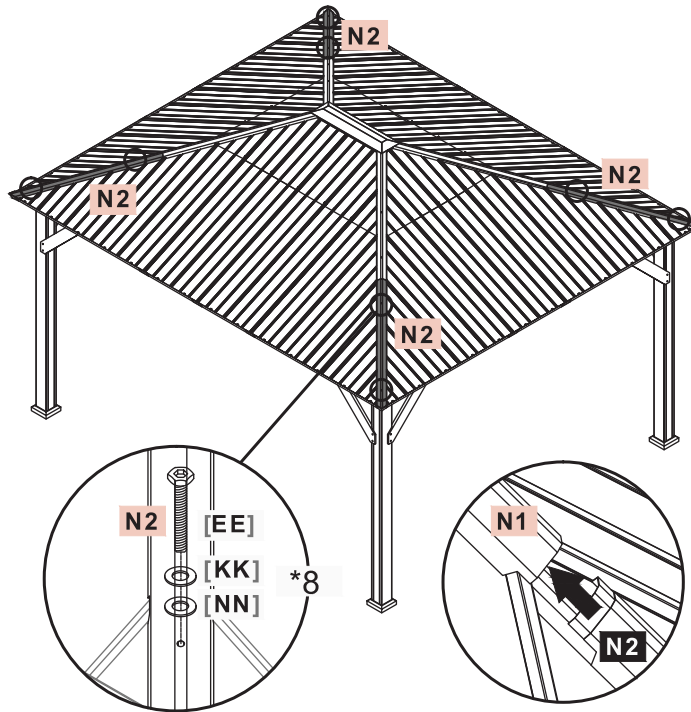


**STEP 39** Slide roof rib cover **N2** into **N1**. Use two (2) **[EE]**, two (2) **[KK]** flat washers and two (2) **[NN]** flat washers to attach one (1) roof rib cover **N2** to the roof. Repeat with the other three (3) roof rib cover **N2**.

**[EE]** x8

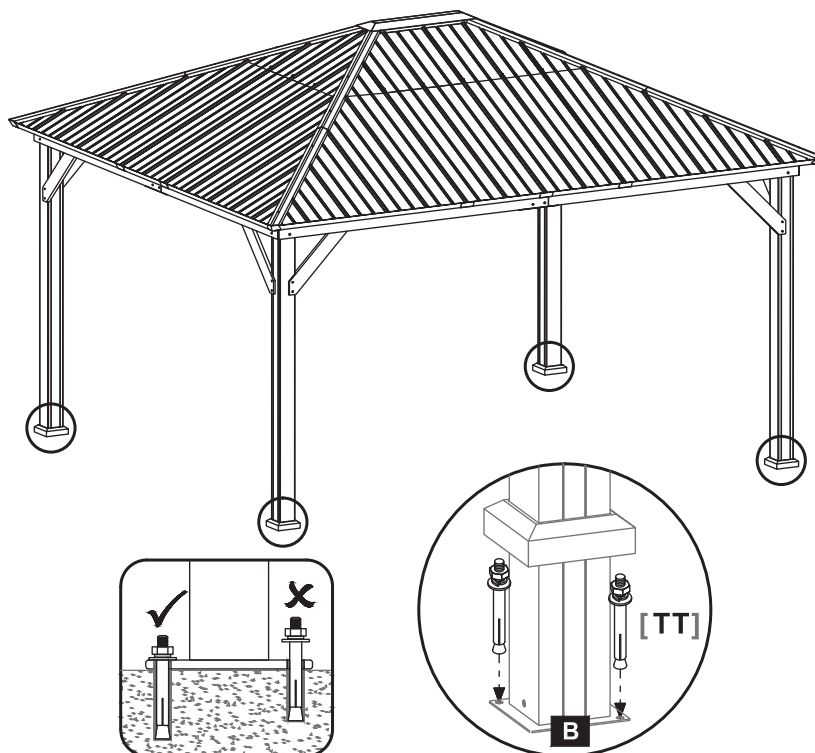
**[KK]** x8

**[NN]** x8



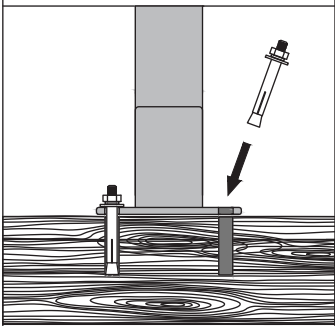
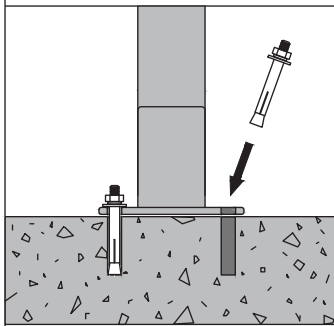


**STEP 40** Use two (2) **[TT]** expansion bolts to anchor each post foot base **B**. please make sure the expansion bolts are fully anchored.

**[TT]** x8



Outdoor Structure anchoring guide for anchoring gazebo to wood or concrete: If step 40, on page 16 in the assembly instructions is not properly completed, this will void the warranty.

**WARNING!** If your gazebo is not properly anchored, damage could occur. It is highly recommended for maximum safety that you mount and secure to wood or concrete footers. This is far better and safer than using ground stakes. The following are some examples of how to mount the structure to wood or concrete surfaces. Refer to local building codes or consider consulting a licensed contractor for assistance in the anchoring of this product.

WOOD	CONCRETE
	
<p>Anchors should be drilled into joists or reinforced blocking (not only deck boards).</p>	<p>Pre-drill holes for appropriately sized concrete anchors.</p>
 <p>Recommended Hardware: Expansion Bolt</p>	 <p>Recommended Hardware: Expansion Bolt</p>

If digging for foundation, please double check for possibility of any underground utilities such as gas, telephone, cable or sprinkler lines. Refer to your local building and city codes, ordinances, neighborhood covenants, or height restrictions regarding this type of structure for guidance on acceptable installation requirements.

**CAUTION**  
DO NOT climb or walk on roof for any reason.

- Our components are intended for privacy, decorative and ornamental use only.
- Product is NOT INTENDED for the following:
  - A safety barrier to prevent unsupervised access to pools, hot tubs, spas or ponds.
  - As load bearing support for a building, structure, heavy objects or swings.
  - Used in structures that trap wind, rain or snow that would create extra load on the product.
  - Accumulated snow must be removed from roof.
  - DO NOT climb or walk on roof for any reason.

### LIMITED WARRANTY

We warrants this product against defects in materials and workmanship for a period of one (1) year from the original date of purchase. To the extent any such defects occur, our products will send the appropriate replacement part(s) at no charge.

This warranty does not cover:

- Inspection costs or labor for replacement of any defective parts);
- Incidental or consequential damages;
- Cosmetic defects which DO NOT affect performance;
- Normal wear and tear;
- Damage due to vandalism; acts of nature, including but not limited to wind, storms, hail, floods;
- Improper assembly, installation, or use;
- Discoloration or fading of the finish as a result of exposure to chemicals, spills, pool or salt water
- Corrosion/ rust.

Your product has been designed for safety and quality.

Any modifications made to the original product could compromise its structural integrity or function, and could lead to product failure or personal injury. As such, modifying this product voids any and all warranties.

This product is warranted for RESIDENTIAL USE ONLY, and is not for commercial, contract or other non-residential purposes. Products disclaims all other representations and warranties of any kind, express or implied.

The warranty applies to the original purchaser and is non-transferable. It does not apply to purchases of display models, or when the product is sold on clearance or "as is".

We makes no warranty whatsoever in respect to accessories or parts not supplied with it. This warranty shall apply only within the boundaries of the United States of America and Canada. This warranty gives the original purchaser specific rights, and the original purchaser may also have other rights, which vary from state to state.

